

F E A T U R E S

The SCPP series of belt driven clutch pumps are a compact and lightweight high performance source of hydraulic power. The SCPP is an enhanced version of our standard clutch pump. Now with pressures to 4,000 psi (intermittent), and ultra high efficiency through-bore style gear pump and overall weight reductions of 30% make this Silver Series Clutch Pump a "Plus".

- **Pressures to 4,000 PSI**
 - Operate high pressure hook lifts and truck cranes
 - **Ultra high efficiency**
 - Through-bore style gear pumps with volumetric efficiency to 95%
 - **Steel Teflon coated bushings**
 - Infinite bearing life when ratings are not exceeded
 - **Dual porting standard**
 - Simplified installation with both side and rear porting
 - **Sealed ball bearing clutches**
 - Exceptional longevity when clutch is de-energized
 - **Outboard clutch coil mount**
 - Long Service life even in high cycle applications
- Cast Iron foot mount bracket**
-Robust and reliable mounting
- Application flexibility**
-Multiple clutch styles and sizes available

General Specifications

9 Displacements

.68 Cu.In.-2.69 Cu. In

Flows

To 30 GPM

Speeds

Up to 3,000 rpm

Mounting

4 bolt foot mount

Pressures

1900 PSI continuous
2900 PSI intermittent

Pressures

To 4,000 psi

Weight

24 lbs

Electrical

6" and 7" clutch 12 vdc 4.0 amps
6.7" Hi-Torque clutch 12 vdc 4.5 amps

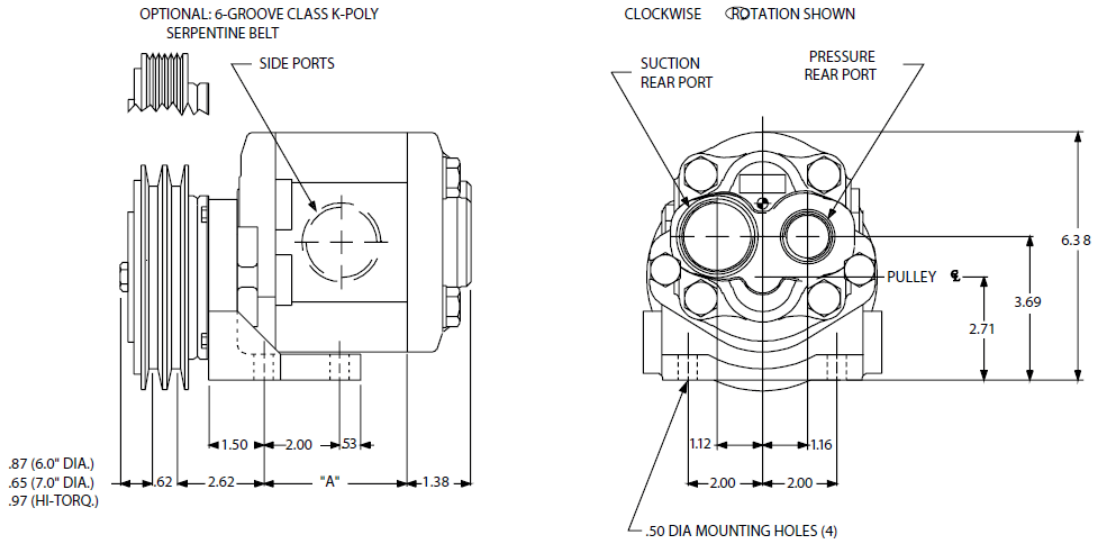


Technical Specifications

Model	Gear Width	Displacement in ³ /rev.	GPM @ 1000 RPM	GPM @ 1500 RPM	GPM @ 2000 RPM	Max. psi 6" & 7" Clutch	Max. psi 6.7" Hi-torque	Max. RPM	Max. Hg. Inlet	Dimension "A"
SCPP-05	0.50	0.69	2	3	5	4000	4000	3000	5"	2.45
SCPP-07	0.67	0.97	3	6	7	4000	4000	3000	5"	2.45
SCPP-09	0.81	1.17	4	7	9	3400	4000	3000	5"	2.59
SCPP-11	0.94	1.35	5	8	11	3000	3700	3000	5"	2.73
SCPP-13	1.04	1.53	6	9	13	2600	3300	3000	5"	2.82
SCPP-14	1.14	1.68	7	10	14	2400	3100	3000	5"	3.31
SCPP-16	1.36	1.97	8	12	16	2000	2600	3000	5"	3.52
SCPP-19	1.59	2.32	10	14	19	1700	2200	2750	5"	3.76
SCPP-22	1.85	2.69	11	16	22	1500	1900	2500	5"	4.06

Flows @ 1000 PSI

Installation Information



Ordering Information

Series	Displacement	Rotation	Porting	Port Threads	Switch	Clutch Size
SCPP						
CODE	CODE In ³ /Rev.		CODE Porting		CODE Switch	
SCPP	05 .69		SR Side and Rear Ports		S Illuminated Rocker	
	07 .97				N None	
	09 1.17					
	11 1.35					
	13 1.53					
	14 1.68					
	16 1.97					
	19 2.32					
	22 2.69					
	CODE Rotation		CODE Type Inlet Outlet		CODE Clutch	
	R CW		N* 05-11 1" 3/4"		6V 6" Dia. V-belt 75 lb.ft.	
	L CCW		13-22 1-1/4" 1"		7V 7" Dia. V-belt 75 lb.ft.	
			O 05-11 SAE-16 SAE-12		HT 6.7" Hi-Torque V-belt 120 lb.ft.	
			13-22 SAE-20 SAE-16		6S 6" Dia. Serpentine 75 lb.ft.	

* Pumps are supplied with NPT port adapters.

NOTE: Engine Mounting Kits also available.



501 East Cliff Road
Burnsville, Minnesota 55337

1-888-99FORCE
www.forceamerica.com

© 2006 FORCE America, Inc.
Part Number: FA1000

Service Centers and Sales

Bismarck, ND	800-624-7568	Fort Dodge, IA	800-362-2994
Charlotte, NC	800-788-8598	Kansas City, MO	800-383-4724
Chicago, IL	800-433-5765	Milwaukee, WI	800-722-5844
Columbus, OH	888-449-0356	Minneapolis, MN	800-328-2732
Dallas, TX	800-893-7225	Philadelphia, PA	800-492-6621
Denver, CO	888-833-7711	Salt Lake City, UT	877-230-0505