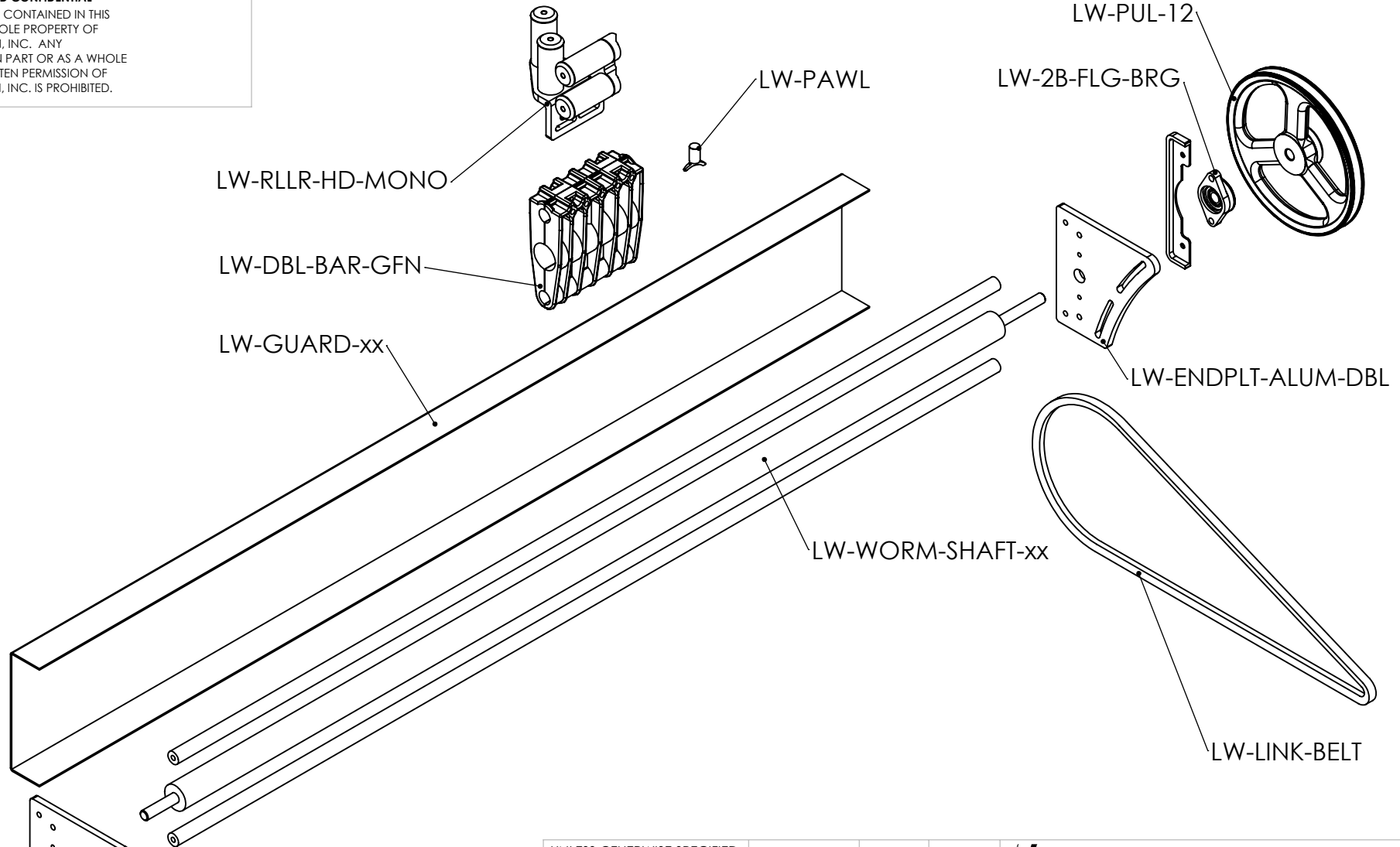


**PROPRIETARY AND CONFIDENTIAL**  
 THE INFORMATION CONTAINED IN THIS  
 DRAWING IS THE SOLE PROPERTY OF  
 LINDGREN-PITMAN, INC. ANY  
 REPRODUCTION IN PART OR AS A WHOLE  
 WITHOUT THE WRITTEN PERMISSION OF  
 LINDGREN-PITMAN, INC. IS PROHIBITED.




LW-GUARD-RETAINR-DBL

NEXT ASSY	USED ON
	APPLICATION

UNLESS OTHERWISE SPECIFIED:	
DIMENSIONS ARE IN INCHES	
TOLERANCES:	
FRACTIONAL ±	
ANGULAR: MACH ± BEND ±	
TWO PLACE DECIMAL ±	
THREE PLACE DECIMAL ±	
INTERPRET GEOMETRIC TOLERANCING PER:	
MATERIAL	
FINISH	
DO NOT SCALE DRAWING	

NAME	DATE
DRAWN	
CHECKED	
ENG APPR.	
MFG APPR.	
Q.A.	
COMMENTS:	

 <b>LINDGREN-PITMAN, INC.</b>		
TITLE:		
Dbl_Bar_LW_Assy_Parts		
SIZE	DWG. NO.	REV
<b>A</b>		
SCALE: 1:1	WEIGHT:	SHEET 1 OF 1

Tuesday, October 10, 2017 9:34:44 AM  
 L:\40x22x45Rib\Dbl\_Bar\_LW\_Assy\_Parts.slddrw

5

4

3

2

1