

ITEM NO.	QTY.	PART NO.	DESCRIPTION
1	1	SDCFCAST755	SDCF CASTING
2	1	DC7517A	SPOOL
3	1	PC58	PARKER O-RING 3-910
4	1	SF303TM	SPOOL
5	2	SF304	QUAD RING
6	2	SF305	WIPER
7	1	SF306	RETAINER
8	1	SF317D	PLUG
9	1	SF318B	M. SPOOL
10	1	SF319	SPRING
11	2	SF326	.125 BALL
12	2	SF394	PLUG, SHUTTLE
13	2	SF395	O-RING, 2-006
14	2	SF396	PARBAK 8-006
15	2	SF397	PLUG
16	1	SDC-F1	FRICITION DETENT
17	1	SDCF-CART	RELIEF SUB ASSEMBLY
18	1	SDC-HL	HANDLE KIT
19	1	P1654	WARNING TAG
20	1	P1740	NAME TAG

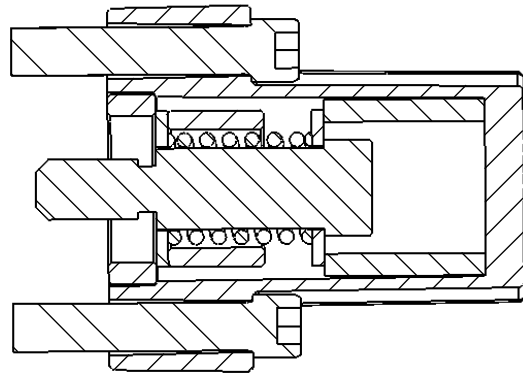
REV.	DATE	DESCRIPTION

BRAND HYDRAULICS CO., INC

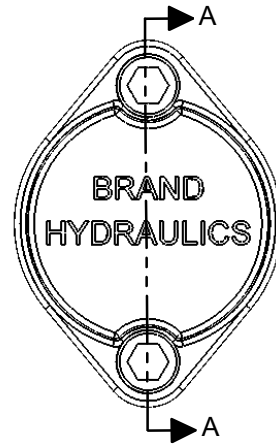
2332 SOUTH 25TH STREET, OMAHA NEBRASKA 68105

TITLE: SDCF DIRECTIONAL CONTROL VALVE	MATERIAL: -
--	-------------

STANDARD TOLERANCE UNLESS NOTED: 0.00 ± 0.010 (0.015 GCI) 0.000 ± 0.005 (0.010 GCI) ◎ = .005 TIR FRACTION ± 1/32 ANGLE ± 2° DIMENSIONS ARE IN INCHES	P/N ENDING IN "UF" HAVE NOT RECEIVED FINISH OPERATIONS FINISHING SPECIFICATIONS: HEAT TREAT: -±2RC X - ∇ GRIND: - PLATE: -	DRAWN BY: JCR/IG DATE: 07/17/2007	PART NO: SDCF755TM124LF1
		APRVD BY: APRVD DATE: SCALE: 1:2 FORMAT - B	

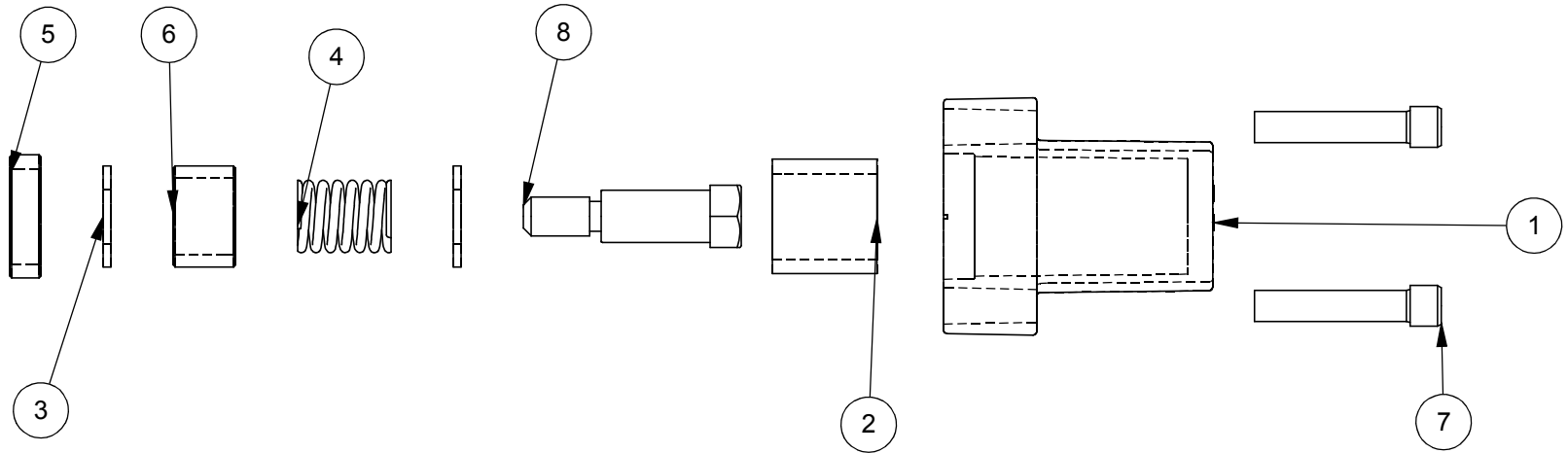


SECTION A-A
SCALE 1:1



ITEM #	QTY.	FILE #	PART #	DESCRIPTION
1	1	SF477	SF477	ENDCAP
2	1	SF484	SF484	SPACER
3	2	SF328A	SF328A	WASHER
4	1	SF314B	SF314B	SPRING
5	1	SF315	SF315	SPACER
6	1	SF374	SF374	SPACER
7	2	SF486	SF486	ALLEN SCREW
8	1	SF327A	SF327A	BOLT

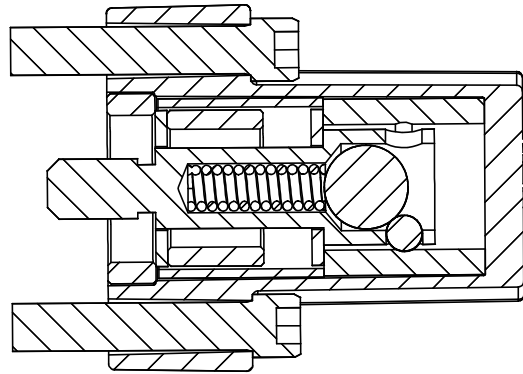
NOTE: USE 242 (BLUE LOCTITE) ON SF327A WHEN ASSEMBLING



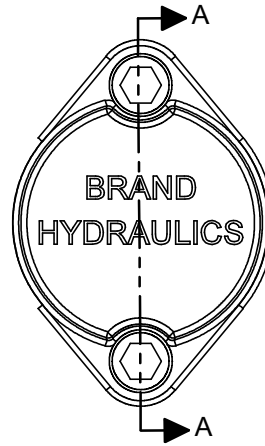
REV.	DATE	DESCRIPTION
A	11/10/03	CHANGED DRAWING TO REFLECT SF477 ENDCAP

BRAND HYDRAULICS CO., INC
2332 SOUTH 25TH STREET, OMAHA NEBRASKA 68105

TITLE: SPRING CENTERING FOR AO/SDC/SDCF/TS		MATERIAL: -	
STANDARD TOLERANCE UNLESS NOTED: 0.00 ± 0.010 (0.015 GC1) 0.000 ± 0.005 (0.010 GC1) ⊙ = .005 TIR FRACTION ± 1/32 ANGLE ± 2° DIMENSIONS ARE IN INCHES	P/N ENDING IN "UF" HAVE NOT RECEIVED FINISH OPERATIONS FINISHING SPECIFICATIONS: HEAT TREAT: - ±2RC X - ∇ GRIND: - PLATE: -	DRAWN BY: JB	PART NO:
		DATE: 11/10/03	SDC-S
		APRV'D BY:	
		SCALE: 1:1.5	

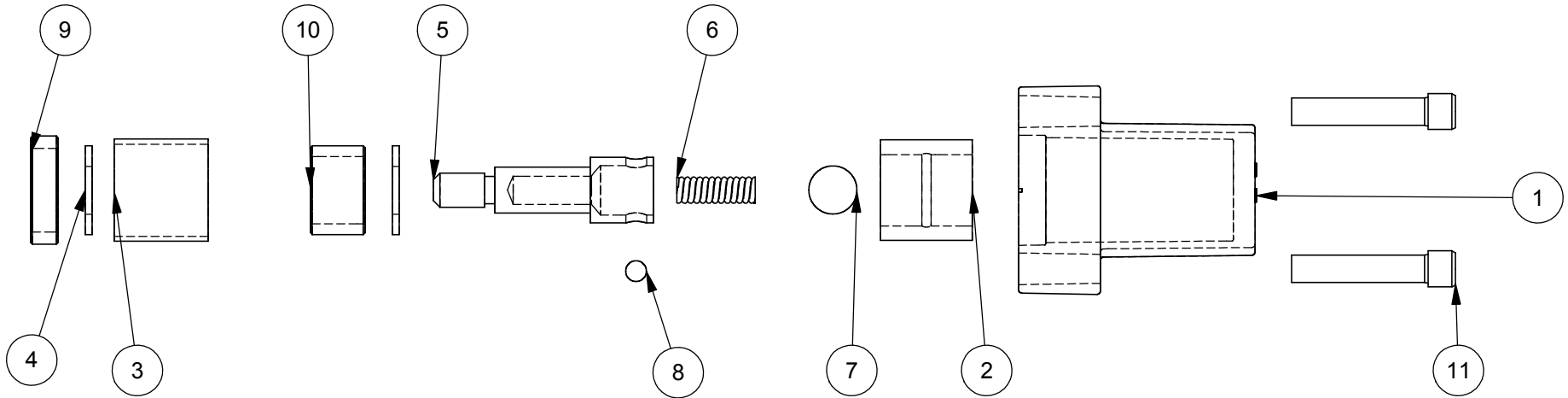


SECTION A-A
SCALE 1 : 1



ITEM #	QTY.	FILE #	PART #	DESCRIPTION
1	1	SF477	SF477	ENDCAP
2	1	SF479	SF479	FRICTION SLEEVE
3	1	SF483	SF483	SPACER
4	2	SF328A	SF328A	WASHER
5	1	SF478	SF478	HOUSING
6	1	SF491	SF491	SPRING
7	1	B5057	B5057	7/16 BALL
8	1	DC7604	DC7604	3/16 BALL
9	1	SF315	SF315	SPACER
10	1	SF374	SF374	SPACER
11	2	SF486	SF486	ALLEN SCREW

NOTE: USE 242 (BLUE LOCTITE) ON SF478 WHEN ASSEMBLING



REV.	DATE	DESCRIPTION
A	11/20/00	DELETED SF384 & ADDED EXPLODED VIEW
B	11/10/03	CHANGED ASSEMBLY TO NEW DESIGN

BRAND HYDRAULICS CO., INC
2332 SOUTH 25TH STREET, OMAHA NEBRASKA 68105

TITLE: FRICTION DETENT FOR AO/SDC/SDCF/TS		MATERIAL -	
STANDARD TOLERANCE UNLESS NOTED: 0.00 ± 0.010 (0.015 GCI) 0.000 ± 0.005 (0.010 GCI) ◎ = .005 TIR FRACTION ± 1/32 ANGLE ± 2°	HEAT TREATMENT:- ±2RC	DRAWN BY JB	FILENAME SDC-F1
	HEAT TREATMENT DEPTH: - in	DATE 11/10/03	PART NO.
	GRIND: - ±.0002φ & TAPER	SCALE 1:1.5	SDC-F1
PLATE: - ±.0002φ TAPER			