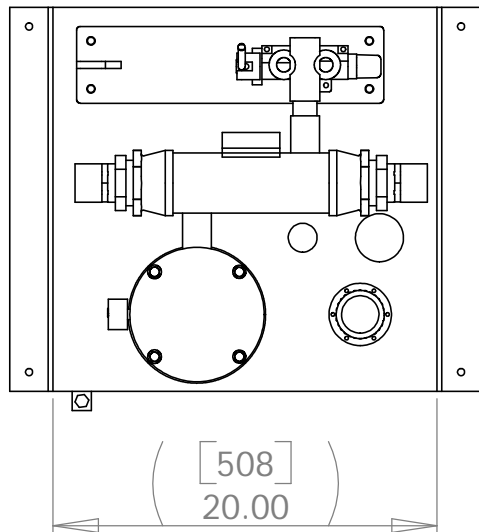
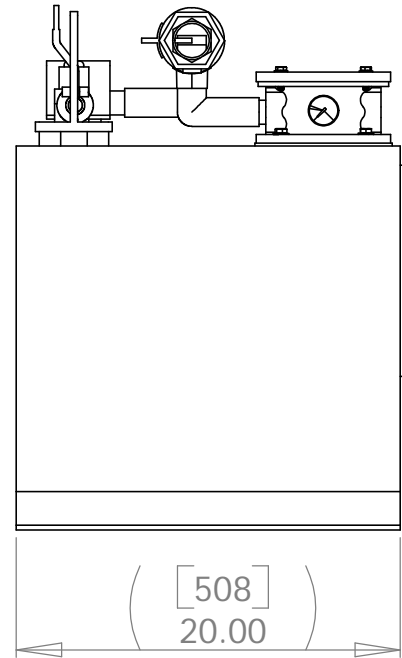
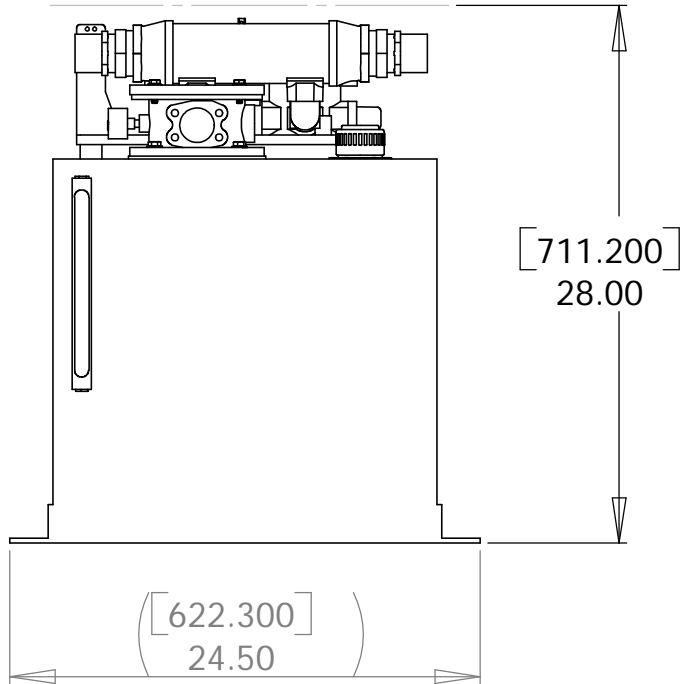



THE INFORMATION CONTAINED IN THIS DRAWING IS THE SOLE PROPERTY OF LINDGREN-PITMAN, INC. ANY REPRODUCTION IN PART OR WHOLE WITHOUT THE WRITTEN PERMISSION OF LINDGREN-PITMAN, INC. IS PROHIBITED.



NEXT ASSY	USED ON
APPLICATION	

ITEM NO.	PART OR IDENTIFYING NO.	NOMENCLATURE OR DESCRIPTION	MATERIAL SPECIFICATION	QTY REQD
PARTS LIST				
UNLESS OTHERWISE SPECIFIED DIMENSIONS ARE IN INCHES TOLERANCES ARE:		CAD GENERATED DRAWING, DO NOT MANUALLY UPDATE	 LINDGREN-PITMAN, INC.	
FRACTIONS	DECIMALS			
+	.XX+ .XX	+ 1		
	.XXX+ .XXX			
MATERIAL		--	20 x 20 x 20 Basic Hyd. Package	
FINISH		--		
NEXT ASSY		USED ON		
APPLICATION		DO NOT SCALE DRAWING		
		APPROVALS	DATE	
		DRAWN		
		CHECKED		
		RESP ENG		
		MFG ENG		
		QUAL ENG		
SIZE	DWG. NO.			REV.
A				
SCALE	CAD FILE:			SHEET OF
				1 1