
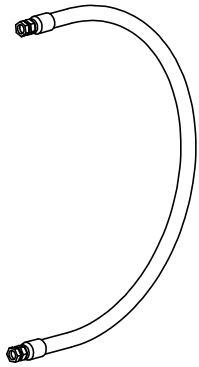


**PROPRIETARY AND CONFIDENTIAL**  
 THE INFORMATION CONTAINED IN THIS DRAWING IS THE SOLE PROPERTY OF LINDGREN-PITMAN, INC. ANY REPRODUCTION IN PART OR AS A WHOLE WITHOUT THE WRITTEN PERMISSION OF LINDGREN-PITMAN, INC. IS PROHIBITED.

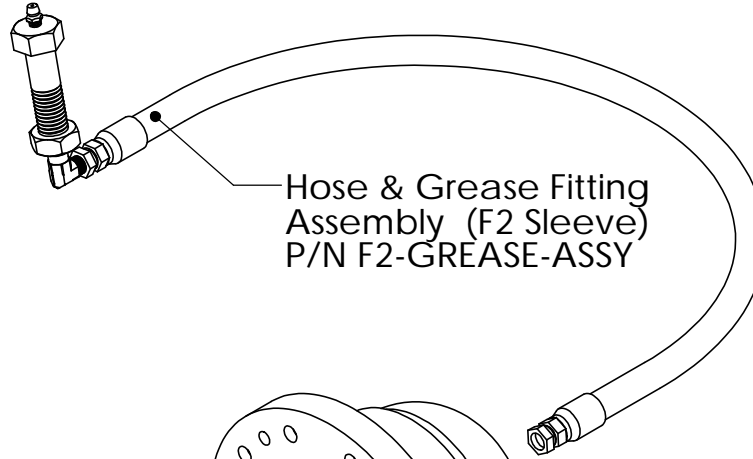
NEXT ASSY	USED ON
APPLICATION	

UNLESS OTHERWISE SPECIFIED:		NAME	DATE
DIMENSIONS ARE IN INCHES		DRAWN	
TOLERANCES:		CHECKED	
FRACTIONAL ±		ENG APPR.	
ANGULAR: MACH ± BEND ±		MFG APPR.	
TWO PLACE DECIMAL ±		Q.A.	
THREE PLACE DECIMAL ±		COMMENTS:	
INTERPRET GEOMETRIC TOLERANCING PER:			
MATERIAL			
FINISH			
DO NOT SCALE DRAWING			

 <b>LINDGREN-PITMAN, INC.</b>		
TITLE:		
SIZE	DWG. NO.	REV
<b>A</b>	48x_Exploded	
SCALE: 1:48	WEIGHT:	SHEET 1 OF 1



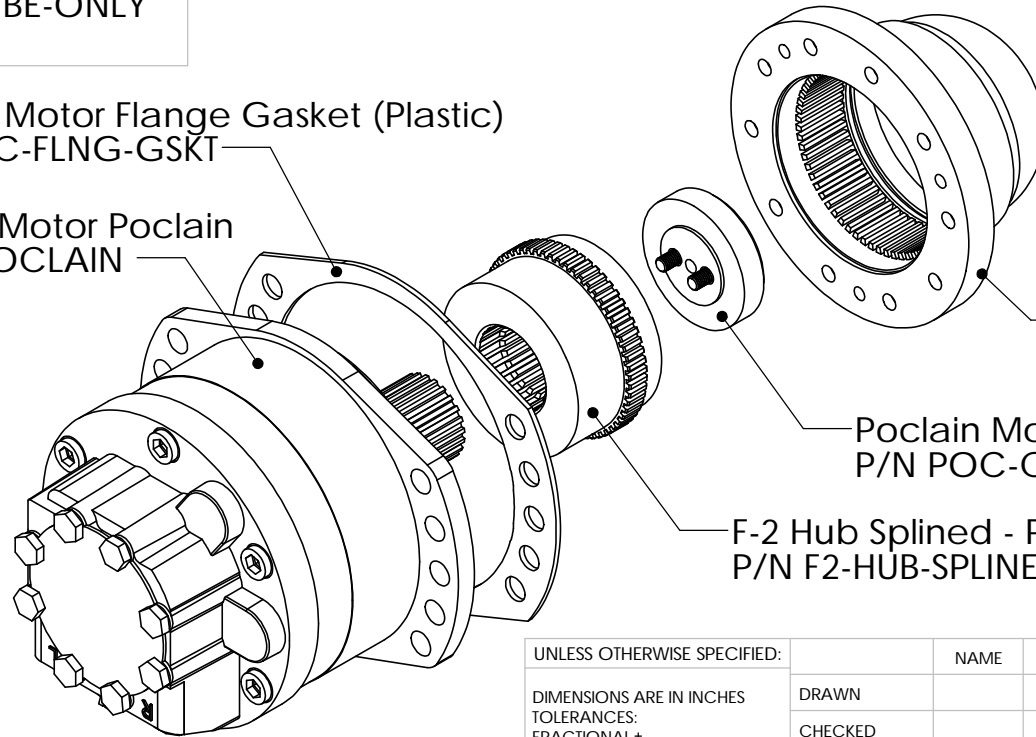
GREASE TUBE ONLY  
P/N F2-GREASE-TUBE-ONLY



Hose & Grease Fitting  
Assembly (F2 Sleeve)  
P/N F2-GREASE-ASSY

Poclair Motor Flange Gasket (Plastic)  
P/N POC-FLNG-GSKT

Hydraulic Drive Motor Poclair  
P/N HYD-MTR-POCLAIN



F-2 Sleeve  
P/N F2-SLEEVE

Poclair Motor Shaft Retainer Cap & Bolt  
P/N POC-CAP-BOLT

F-2 Hub Splined - Poclair Motor  
P/N F2-HUB-SPLINED

UNLESS OTHERWISE SPECIFIED:

DIMENSIONS ARE IN INCHES  
TOLERANCES:  
FRACTIONAL ±  
ANGULAR: MACH ± BEND ±  
TWO PLACE DECIMAL ±  
THREE PLACE DECIMAL ±

INTERPRET GEOMETRIC  
TOLERANCING PER:

MATERIAL

FINISH

DO NOT SCALE DRAWING

NAME

DATE

DRAWN

CHECKED

ENG APPR.

MFG APPR.

Q.A.

COMMENTS:



**LINDGREN-PITMAN, INC.**

TITLE:

**F2 HUB SPLINED  
POCLAIN HYD. MOTOR**

SIZE  
**A**

DWG. NO.

REV

SCALE: 1:1

WEIGHT:

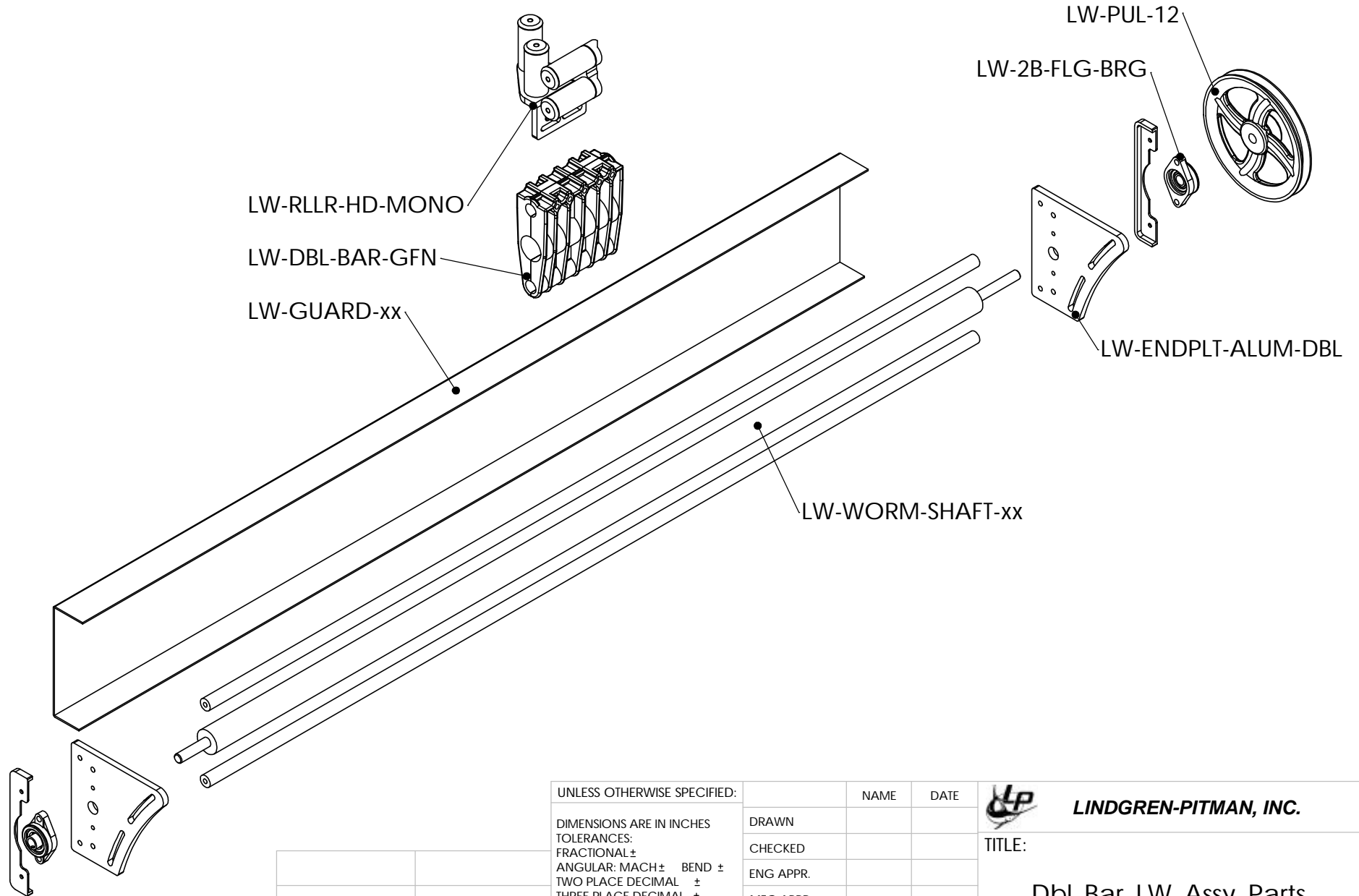
SHEET 1 OF 1

**PROPRIETARY AND CONFIDENTIAL**  
THE INFORMATION CONTAINED IN THIS  
DRAWING IS THE SOLE PROPERTY OF  
LINDGREN-PITMAN, INC. ANY  
REPRODUCTION IN PART OR AS A WHOLE  
WITHOUT THE WRITTEN PERMISSION OF  
LINDGREN-PITMAN, INC. IS PROHIBITED.

NEXT ASSY

USED ON

APPLICATION



**PROPRIETARY AND CONFIDENTIAL**  
 THE INFORMATION CONTAINED IN THIS DRAWING IS THE SOLE PROPERTY OF LINDGREN-PITMAN, INC. ANY REPRODUCTION IN PART OR AS A WHOLE WITHOUT THE WRITTEN PERMISSION OF LINDGREN-PITMAN, INC. IS PROHIBITED.

UNLESS OTHERWISE SPECIFIED:		NAME	DATE
DIMENSIONS ARE IN INCHES		DRAWN	
TOLERANCES:		CHECKED	
FRACTIONAL ±		ENG APPR.	
ANGULAR: MACH ± BEND ±		MFG APPR.	
TWO PLACE DECIMAL ±		Q.A.	
THREE PLACE DECIMAL ±		COMMENTS:	
INTERPRET GEOMETRIC TOLERANCING PER:			
MATERIAL			
FINISH			
NEXT ASSY	USED ON		
APPLICATION			
DO NOT SCALE DRAWING			

**LP LINDGREN-PITMAN, INC.**

TITLE:  
**Dbl\_Bar\_LW\_Assy\_Parts**

SIZE	DWG. NO.	REV
<b>A</b>		
SCALE: 1:1	WEIGHT:	SHEET 1 OF 1

