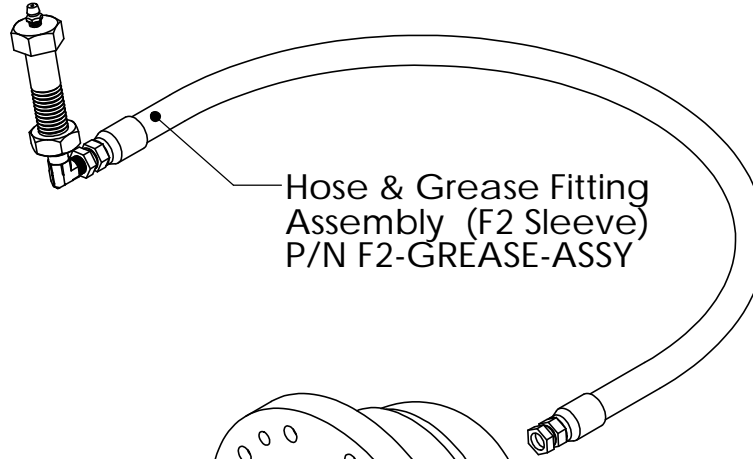


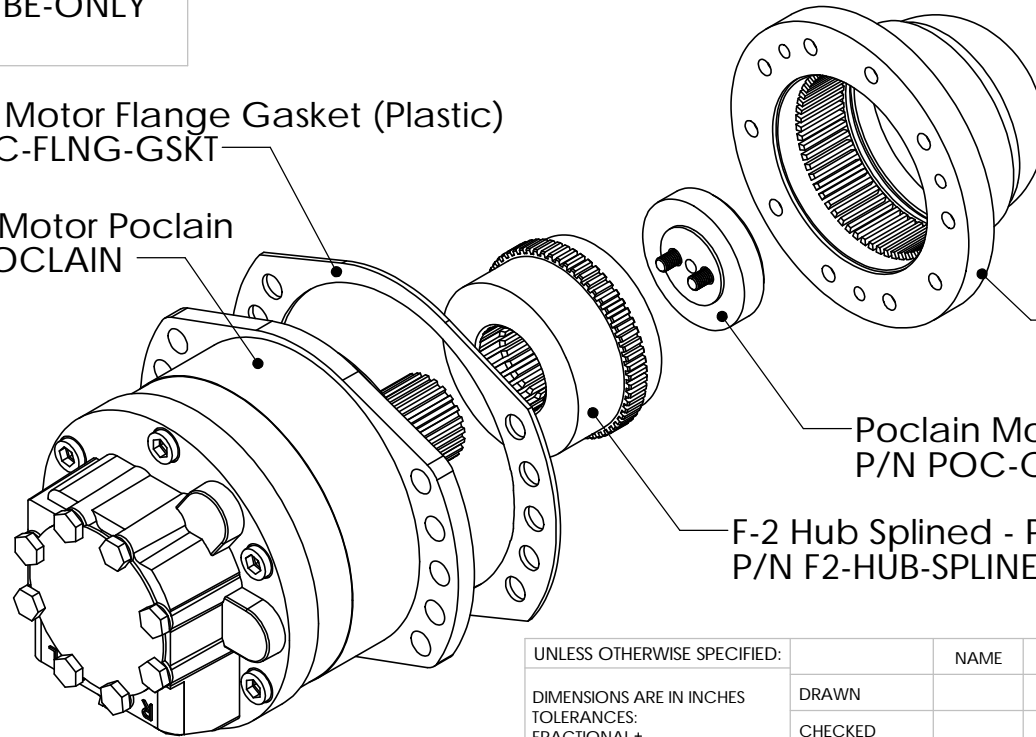
GREASE TUBE ONLY
P/N F2-GREASE-TUBE-ONLY



Hose & Grease Fitting
Assembly (F2 Sleeve)
P/N F2-GREASE-ASSY

Poclair Motor Flange Gasket (Plastic)
P/N POC-FLNG-GSKT

Hydraulic Drive Motor Poclair
P/N HYD-MTR-POCLAIN



F-2 Sleeve
P/N F2-SLEEVE

Poclair Motor Shaft Retainer Cap & Bolt
P/N POC-CAP-BOLT

F-2 Hub Splined - Poclair Motor
P/N F2-HUB-SPLINED

UNLESS OTHERWISE SPECIFIED:

DIMENSIONS ARE IN INCHES
TOLERANCES:
FRACTIONAL ±
ANGULAR: MACH ± BEND ±
TWO PLACE DECIMAL ±
THREE PLACE DECIMAL ±

INTERPRET GEOMETRIC
TOLERANCING PER:

MATERIAL

FINISH

DO NOT SCALE DRAWING

NAME

DATE

DRAWN

CHECKED

ENG APPR.

MFG APPR.

Q.A.

COMMENTS:



LINDGREN-PITMAN, INC.

TITLE:

**F2 HUB SPLINED
POCLAIN HYD. MOTOR**

SIZE
A

DWG. NO.

REV

SCALE: 1:1

WEIGHT:

SHEET 1 OF 1

PROPRIETARY AND CONFIDENTIAL
THE INFORMATION CONTAINED IN THIS
DRAWING IS THE SOLE PROPERTY OF
LINDGREN-PITMAN, INC. ANY
REPRODUCTION IN PART OR AS A WHOLE
WITHOUT THE WRITTEN PERMISSION OF
LINDGREN-PITMAN, INC. IS PROHIBITED.

NEXT ASSY

USED ON

APPLICATION