

RETAINER CAP  
P/N KYB-KEY-RETAIN-CAP

KYB KEY  
P/N KYB-20381-03323

FLANGE GASKET  
P/N KYB-FLNG-GSKT

KYB MOTOR  
P/N HYD-MTR-KYB

GREASE TUBE ASSY.  
P/N F2-GREASE-ASSY

F2 SLEEVE  
P/N F2-SLEEVE


F2 HUB  
P/N F2-HUB

**PROPRIETARY AND CONFIDENTIAL**  
THE INFORMATION CONTAINED IN THIS DRAWING IS THE SOLE PROPERTY OF LINDGREN-PITMAN, INC. ANY REPRODUCTION IN PART OR AS A WHOLE WITHOUT THE WRITTEN PERMISSION OF LINDGREN-PITMAN, INC. IS PROHIBITED.

NEXT ASSY	USED ON
APPLICATION	

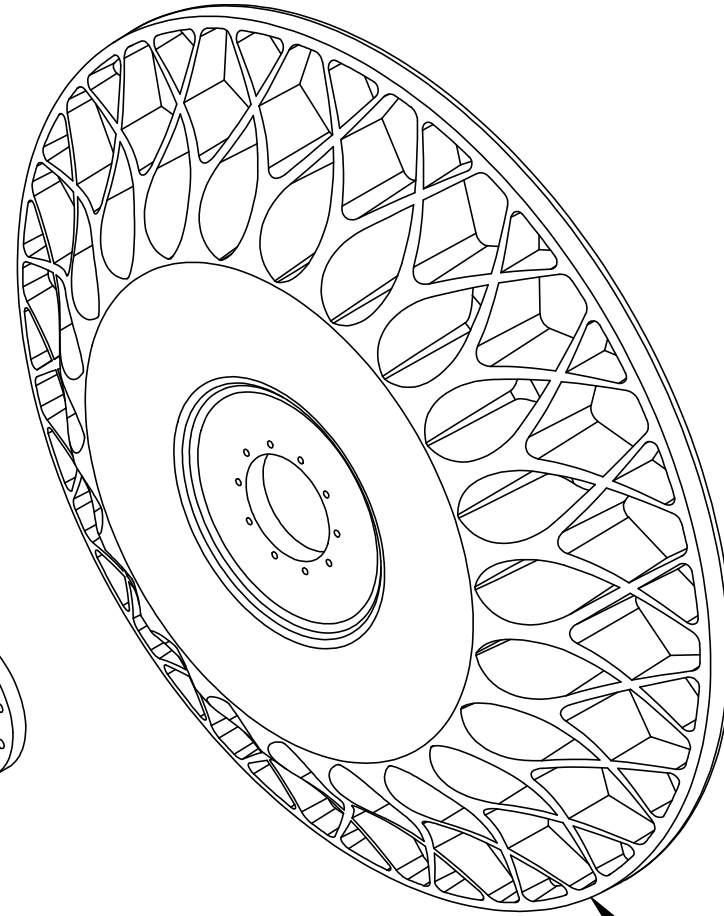
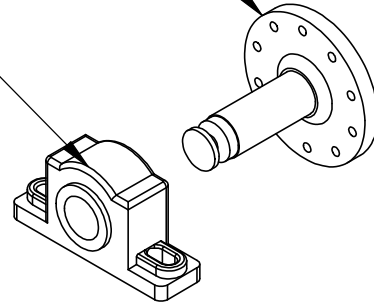
UNLESS OTHERWISE SPECIFIED:
DIMENSIONS ARE IN INCHES TOLERANCES: FRACTIONAL ± ANGULAR: MACH ± BEND ± TWO PLACE DECIMAL ± THREE PLACE DECIMAL ±
INTERPRET GEOMETRIC TOLERANCING PER:
MATERIAL
FINISH
DO NOT SCALE DRAWING

NAME	DATE
DRAWN	
CHECKED	
ENG APPR.	
MFG APPR.	
Q.A.	
COMMENTS:	

 <b>LINDGREN-PITMAN, INC.</b>		
TITLE:		
KYB, F2 HUB & SLEEVE		
SIZE	DWG. NO.	REV
<b>A</b>		
SCALE: 1:1	WEIGHT:	SHEET 1 OF 1


SHAFT-SPOOL-2.0-316

HD-MN-BRG-2



40" END PLATE

**PROPRIETARY AND CONFIDENTIAL**  
 THE INFORMATION CONTAINED IN THIS DRAWING IS THE SOLE PROPERTY OF LINDGREN-PITMAN, INC. ANY REPRODUCTION IN PART OR AS A WHOLE WITHOUT THE WRITTEN PERMISSION OF LINDGREN-PITMAN, INC. IS PROHIBITED.

		UNLESS OTHERWISE SPECIFIED:	NAME	DATE	 <b>LINDGREN-PITMAN, INC.</b>
		DIMENSIONS ARE IN INCHES TOLERANCES: FRACTIONAL ± ANGULAR: MACH ± BEND ± TWO PLACE DECIMAL ± THREE PLACE DECIMAL ±	DRAWN		
		INTERPRET GEOMETRIC TOLERANCING PER:	CHECKED		SIZE <b>A</b> DWG. NO. <b>BearingEndParts</b> REV
		MATERIAL	ENG APPR.		
		FINISH	MFG APPR.		
NEXT ASSY	USED ON		Q.A.		
APPLICATION		DO NOT SCALE DRAWING	COMMENTS:		