

# BODYCRAFT

## PLEASE READ BEFORE INSTALLING YOUR SENSOR.

### Using your Bodycraft Dual Cadence/Speed Sensor

1. Install the Sensor and Magnet using the instructions on the following pages that match your Bodycraft model.
2. Download a fitness app from either the Apple App Store or Google Play Store such as Wahoo Fitness, Zwift, Kinomap, etc.
3. Start the App on your phone and let the App pair with the Bodycraft Dual Sensor, DO NOT pair the Sensor using the Bluetooth menu in the phone.
4. If you are using a Bluetooth Heart Rate belt, you may be able to pair it at this time.

### ANT+ / Bluetooth SMART

The Bluetooth SMART & ANT+ Dual Cadence/Speed Sensor is compatible with most ANT+ cycle meters and other ANT+ devices. For more info please refer to "<http://www.thisisant.com/directory>" to find more compatible devices.

Some smart phones have built-in the ability to connect to ANT+ devices, but other smart phones may require a ANT+ dongle to activate ANT+ Functions. Every Bluetooth and ANT+ device has it's own unique settings and operation methods, such as "how to pair". Please refer to the devices' user manual. ANT+ and Bluetooth SMART can be used simultaneously with no interference.

### Important!

1. DO not attempt to pair the device using the Bluetooth menu on your device. Your preferred app will pair directly with the sensor.
2. Each Bodycraft Dual Sensor has a unique ID. When using Bluetooth 4.0, it can only be paired to one device at a time. During installation, attach the included ID label to the frame of the indoor training cycle.
3. The pairing code DUAL\_SCAxxxx, the "x" portion represents the unique number to each device.
4. The Bodycraft Dual Sensor has a sleep mode that conserves battery power that will initiate after 10 seconds of not sensing a user pedaling the cycle. When this happens you will may need to reconnect the sensor using the app.

### NOTICE:

1. To prevent moisture from entering the Dual Sensor, ensure the battery cover is closed tightly.
2. Periodically check the gap between the sensor and the magnet. It should not exceed 6mm.
3. Do not clean the sensor with harsh chemicals.

### Troubleshooting

#### 1. Device will not pair

- Turn off Bluetooth, then turn it back on.
- Remove the battery for 1 minute, then reinstall.
- Confirm that you are pairing with the correct ID #
- Sensor pairing must be performed in the App and not the Bluetooth menu of the device.
- If your sensor is connected by another user, they must be disconnected before you can connect. You may also need to restart the App before trying again.
- Under the App choose 'forget device' then reconnect.
- You may be getting interference from electromagnetic sources or power-lines.

#### 2. No Cadence / Speed

- Check that Bluetooth is turned on on your smartphone or tablet.
- Recheck the Magnet and Sensor Distance. It cannot exceed 6mm or about ¼"

#### 3. Bluetooth has no signal or cannot be connected.

- Strong and high-frequency interference may occur when the device is near high-voltage towers, traffic lights, adapters, railways, engines, radar stations, wireless base stations, laptops, and other electronic appliances.

#### 4. Bluetooth/ANT+ not working/not paired

- The Bluetooth in this sensor can only pair one-to-one with a smart device. You can confirm to see if the sensor is paired in your preferred App.
- If the Sensor is already paired with another device, it will not connect. You must locate and disconnect the device that is already paired before pairing another device.
- The Smart Device you want to connect must be equipped with Bluetooth 4.0 or higher. You must have Android 4.3 or higher and Apple IOS 6 or higher.

#### 5. Wrong Value/Data is being displayed

- Replace Battery located in the Sensor
- The sensor must be above 14°F (-10°C)

### Technical Specifications

**Battery Life:** 1000 Hours (2.5 years with 1hr/day use)

**Battery:** CR2032 x 1pc (included)

**Transmission Range:** < 10 Meters (33ft)

**Waterproof:** IPX 7

**Operating Temperature:** 32°F ~ 122°F (0°C ~ 50°C)

**Weight:** 17.5g (including the battery)

**Compatible with:** iPhone 4S or above. iPad Generation 3 and above. Android 4.3 and above with Bluetooth SMART supported Smartphones/Tablets and Sport Watches.

### FCC Information

This device complies with part 15 of the FCC rules. Operation is subject to the following two conditions: 1. This device may not cause harmful interference and 2. This device must accept any interference received, including interference that may cause undesired operation.

This equipment has been tested and found to comply within the limits for a class B digital device, pursuant to part 15 of the FCC rules. These limits are designed to provide reasonable protection against harmful interference in a residential installation.

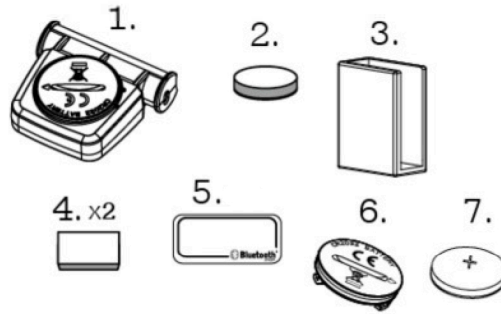
This equipment generates, uses and can radiate radio frequency energy and, if not installed and used in accordance with the instructions, may cause harmful interference to radio communications. However, there is no guarantee that interference will not occur in a particular installation.

If this equipment does cause harmful interference to radio or television reception, which can be determined by turning the equipment off and on, the user is encouraged to try to correct their interference by one or more of the following measures:

- Reorient or relocate the receiving antenna.
- Increase the separation between the equipment and receiver.
- Connect the equipment into an outlet on a circuit different from that to which the receiver is connected.
- Consult the dealer or an experienced radio / TV technician for help.

## Installing your Cadence / Speed Sensor & Magnet on the SPR.

Bluetooth SMART & ANT+  
Cadence / Speed Dual Bike Sensor  
SENSOR ID:  
SCA \_\_\_\_\_



1. Cadence / Speed Sensor
2. 3x10mm Magnet with adhesive backing
3. Sensor Holder
4. Double-sided EVA Tape (x2)
5. ID Label (to be applied to the bike)
6. Battery Cover w/O-ring
7. CR2032 3V Lithium Battery

\*The goal of this install is to simply allow the magnet to pass within 1/4" of the arrow symbol on the sensor. Without removing the adhesive on the magnet, place the magnet on the inside of left crank arm to fine-tune placement before permanently placing with adhesive.

Go to [www.bodycraft.com](http://www.bodycraft.com) for the video version of the installation specific to your bike. Select your model in the products section or enter it in the search bar.

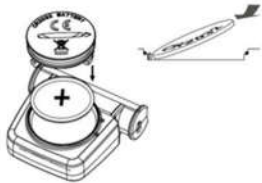
### STEP A:

Place part #4 (Double-sided EVA Tape) to the back of part #3 (Sensor Holder). Make sure the openings on Part #3 are facing toward the front of the bike and upwards (see pic #4). Place Part #3 (Sensor Holder) on bike shroud as shown in picture #2. The top of sensor holder should touch bottom of drive belt cover and should be centered to the right side of crank arm shown in picture #2.



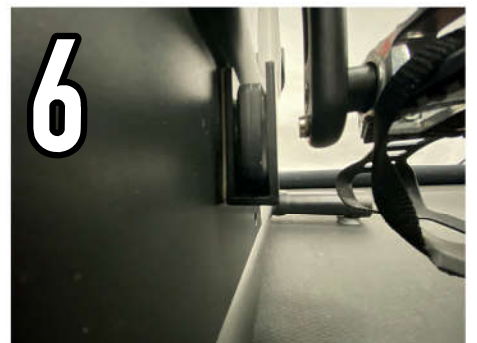
### STEP B:

Remove battery cover from part #1 (Cadence / Speed Sensor). Place part #7 (CR2032 3V Lithium Battery) positive +side up. Slide Part #1 (Cadence / Speed Sensor) into part #3 (Sensor Holder) making sure the arrow on part #1 is facing out and pointing toward front of bike.



### STEP C:

Remove adhesive backing on part #2 (3x10mm Magnet with adhesive backing). Place part #2 onto the inside end of the left crank arm as shown in picture #4 and #5 while making sure not to cover pedal bolt (shown) under magnet in picture #5.

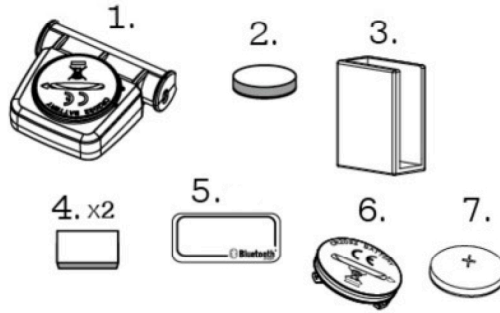


NOTE: If installing sensors on multiple bikes, place part #5 (ID Label) on rear stabilizer frame.

# BODYCRAFT SPT MAG

## Installing your Cadence / Speed Sensor & Magnet on the SPT-MAG.

Bluetooth SMART & ANT+  
Cadence / Speed Dual Bike Sensor  
SENSOR ID:  
SCA \_\_\_\_\_



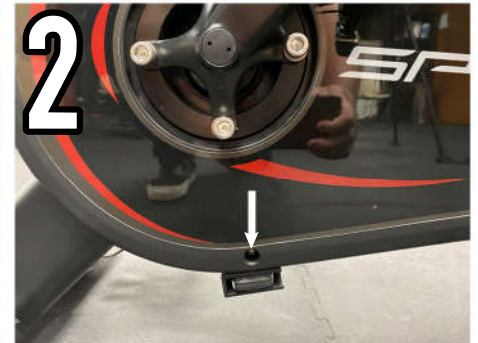
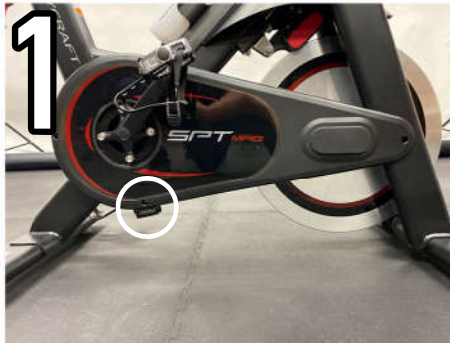
1. Cadence / Speed Sensor
2. 3x10mm Magnet with adhesive backing
3. Sensor Holder
4. Double-sided EVA Tape (x2)
5. ID Label (to be applied to the bike)
6. Battery Cover w/O-ring
7. CR2032 3V Lithium Battery

\*The goal of this install is to simply allow the magnet to pass within 1/4" of the arrow symbol on the sensor. Without removing the adhesive on the magnet, place the magnet on the inside of right crank arm to fine-tune placement before permanently placing with adhesive.

Go to [www.bodycraft.com](http://www.bodycraft.com) for the video version of the installation specific to your bike. Select your model in the products section or enter it in the search bar.

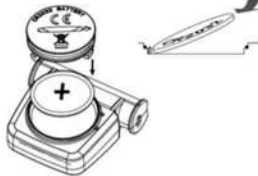
### STEP A:

Place part #4 (Double-sided EVA Tape) to the back of part #3 (Sensor Holder). Make sure the openings on Part #3 are facing toward the front of the bike and outward (see pic #4). Place Part #3 (Sensor Holder) on bike shroud as shown in picture #2. The sensor holder should peak out from under the drive belt cover shown in pic #6 and should be centered under the screw hole in belt cover as shown in picture #2.



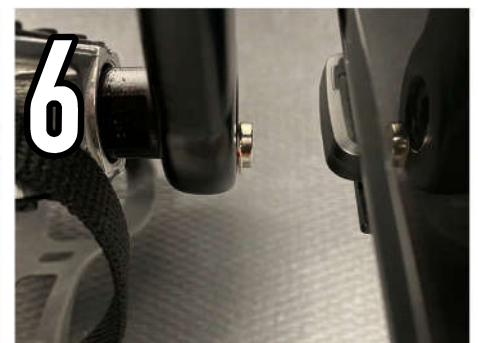
### STEP B:

Remove battery cover from part #1 (Cadence / Speed Sensor). Place part #7 (CR2032 3V Lithium Battery) positive + side up. Slide Part #1 (Cadence / Speed Sensor) into part #3 (Sensor Holder) making sure the arrow on part #1 is facing out and pointing outwards of the bike.



### STEP C:

Remove adhesive backing on part #2 (3x10mm Magnet with adhesive backing). Place part #2 onto the inside end of the right crank arm as shown in picture #5 and #6 while making sure not to cover pedal bolt (shown) under magnet in picture #5.

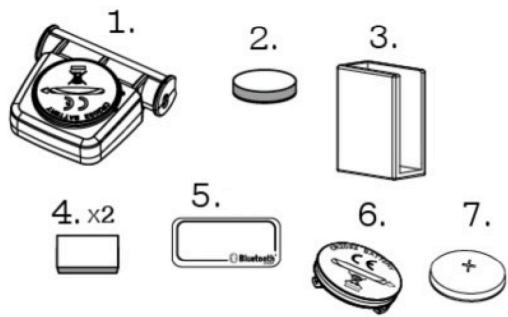


NOTE: If installing sensors on multiple bikes, place part #5 (ID Label) on rear stabilizer frame.



## Installing your Cadence / Speed Sensor & Magnet on the SPX.

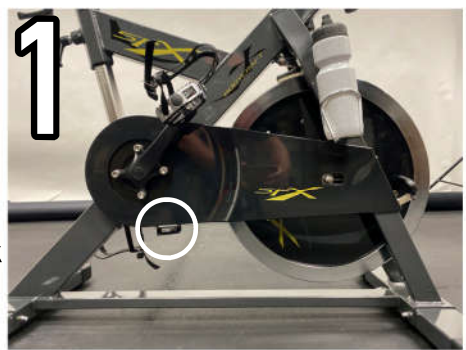
Bluetooth SMART & ANT+  
Cadence / Speed Dual Bike Sensor  
SENSOR ID:  
SCA \_\_\_\_\_



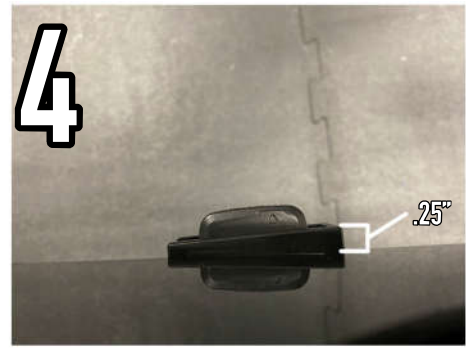
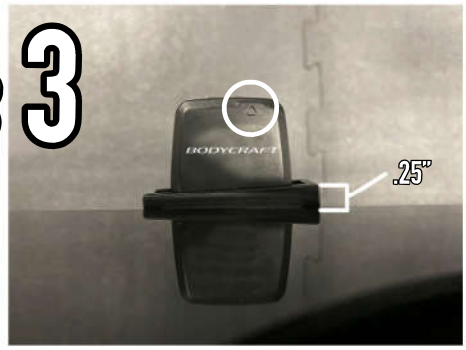
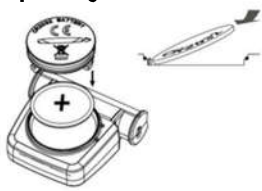
- 1. Cadence / Speed Sensor
- 2. 3x10mm Magnet with adhesive backing
- 3. Sensor Holder
- 4. Double-sided EVA Tape (x2)
- 5. ID Label (to be applied to the bike)
- 6. Battery Cover w/O-ring
- 7. CR2032 3V Lithium Battery

\*The goal of this install is to simply allow the magnet to pass within 1/4" of the arrow symbol on the sensor. Without removing the adhesive on the magnet, place the magnet on the inside of left crank arm to fine-tune placement before permanently placing with adhesive. Go to [www.bodycraft.com](http://www.bodycraft.com) for the video version of the installation specific to your bike. Select your model in the products section or enter it in the search bar.

**STEP A:**  
Place part #4 (Double-sided EVA Tape) to the back of part #3 (Sensor Holder). Make sure the openings on Part #3 are facing toward the front of the bike and outward (see pic #2). Place Part #3 (Sensor Holder) on bike shroud as shown in picture #2. The sensor holder should peek out from under the drive belt cover by .25" (pic #4 and #5) and should be aligned with forward crank bolts as shown in picture #2.



**STEP B:**  
Remove battery cover from part #1 (Cadence / Speed Sensor). Place part #7 (CR2032 3V Lithium Battery) positive +side up. Slide Part #1 (Cadence / Speed Sensor) into part #3 (Sensor Holder) making sure the arrow on part #1 is facing out and pointing outwards of the bike as shown in pic #3.



**STEP C:**  
Remove adhesive backing on part #2 (3x10mm Magnet with adhesive backing). Place part #2 onto the inside edge of the right crank arm as shown in picture #5 and #6. Align edge of magnet to top and right side of indent inside the crank arm as shown in pic #6.



**NOTE:** If installing sensors on multiple bikes, place part #5 (ID Label) on rear stabilizer frame.