

# BODYCRAFT

## EXP SERIES

### T400 Treadmill



#### Record your Product Registration Info here:

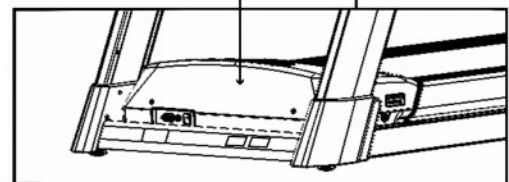
Serial Number: \_\_\_\_\_

Purchase Date: \_\_\_\_\_

Dealer Name: \_\_\_\_\_

Register your product's warranty at:  
[www.bodycraft.com/product-registration.html](http://www.bodycraft.com/product-registration.html)

#### SERIAL NUMBER LABEL



## Owners Manual

Ver. 1.5g



[WWW.BODYCRAFT.COM](http://WWW.BODYCRAFT.COM)



800-990-5556



[SERVICE@BODYCRAFT.COM](mailto:SERVICE@BODYCRAFT.COM)

## ***Congratulations and Welcome to the BODYCRAFT Family***

***Thank you for selecting a BODYCRAFT Treadmill. Your choice reflects a wise investment in you and your facility. We hope you use it for many healthy years!***

BODYCRAFT offers a complete array of high-quality fitness equipment. Please refer to our website at [www.bodycraft.com](http://www.bodycraft.com) to view more ways to enhance your lifestyle.

Your BODYCRAFT machine has all the quality and design elements to make your workout extremely efficient and comfortable. Your new ***T400 Treadmill*** is a serious cardio machine that will keep you motivated, challenged and within reach of your fitness goals. Strength & cardiovascular training is vital for all ages which will provide an effective workout, producing results that will encourage you to reach your fitness goals and maintain the body you have always wanted. ***Spending 15 to 30 minutes a day, three times a week, is all you need to start seeing the benefits of a regular exercise program.***

---

As a premium exercise equipment manufacturer, we are committed to your complete satisfaction. If you have questions, suggestions or find missing or damaged parts, we guarantee your complete satisfaction through our authorized dealer network or by contacting us directly. Please call your local dealer or BODYCRAFT.

BODYCRAFT (a division of Recreation Supply, Inc.)  
7699 Green Meadows Dr.  
Lewis Center, OH 43035

**Phone:** 800-990-5556 9 am - 5 pm EST      **Email:** [service@bodycraft.com](mailto:service@bodycraft.com)

Proof of purchase must be supplied to validate warranty and the product must have been registered with BODYCRAFT via online at [www.bodycraft.com](http://www.bodycraft.com) or by calling 800-990-5556 or 740-965-2442 M-F 9 a.m. - 5 p.m. EST.

**We at BODYCRAFT believe in the continued improvement processes and reserve the right to make changes at any time without notice that may or may not affect color, parts and materials.**

# TABLE OF CONTENTS

	<u>Page</u>
<b>Product Safety Information</b>	
- FCC Information .....	3
- Product Safety .....	4 - 5
<b>Power Requirements</b>	
- Power Requirements .....	6
- Grounding Instructions .....	6
<b>Product Overview</b>	
- Product Overview Components .....	7
- Product Specifications .....	8
<b>How Assemble the Treadmill</b>	
- Parts Identification Chart .....	9
- Product Assembly Instructions .....	10 - 13
<b>How to Setup the Treadmill</b>	
- Leveling and Spacing .....	14
- Folding the Treadmill .....	15
- Unfolding the Treadmill .....	16
- Installation Checklist .....	17
<b>Operation Instructions</b>	
- Console Operation Instructions .....	18
- Safety Key Clip & Tether .....	18
- Console Options .....	19
- Heart Rate Monitoring Grips & Wireless Receiver .....	20
- Heart Rate Tips & Exercise Tips .....	21



Energy  
saving

**Energy Saving function:** These treadmill consoles are equipped with a power saving function. This means after 10 minutes of inactivity, the treadmill will automatically power off. Press any key on the dash board to wake up the console from power save mode.

# TABLE OF CONTENTS

Page

## Maintenance & Repairs

- Preventive Maintenance .....	22
- Running Belt Tension & Alignment Adjustment .....	23
- Why Lubricate the Belt/Deck Area? .....	23
- Lubricating the Running Belt .....	24
- Troubleshooting & Error Codes .....	25 -26
- Circuit Diagram .....	27
- Parts Lists .....	28 - 29
- Parts Exploded View .....	30

## Warranty

- Product Warranty .....	31
- Product Warranty Registration .....	32
- Contact Us Information .....	33

## FCC INFORMATION

**Caution:** Please note that changes or modifications not expressly approved by the party responsible for compliance could void the user's authority to operate the equipment.

This device complies with Part 15 of the FCC Rules. Operation is subject to the following two conditions: (1) This device may not cause harmful interference, and (2) this device must accept any interference received, including interference that may cause undesired operation.

**NOTE:** This equipment has been tested and found to comply with the limits for a Class B digital device, pursuant to Part 15 of the FCC Rules. These limits are designed to provide reasonable protection against harmful interference in a residential installation. This equipment generates, uses and can radiate radio frequency energy and, if not installed and used in accordance with the instructions, may cause harmful interference to radio communications. However, there is no guarantee that interference will not occur in a particular installation. If this equipment does cause harmful interference to radio or television reception, which can be determined by turning the equipment off and on, the user is encouraged to try to correct the interference by one or more of the following measures:

Reorient or relocate the receiving antenna.

Increase the separation between the equipment and receiver.

Connect the equipment into an outlet on a circuit different from that to which the receiver is connected.

Consult the dealer or an experienced radio/TV technician for help.

**FCC CAUTION: Changes or modifications not expressly approved by the party responsible for compliance could void the user's authority to operate this equipment.**



## PRODUCT SAFETY 1 OF 2

Basic precautions should always be followed, including the following safety instructions when using this equipment:



**To reduce the risk of serious injury, read the following Product Safety Instructions before using this treadmill.**

1. Keep children under the age of 13 and pets away from the equipment at all times. Do not allow children and pets to use or play on the equipment. Keep children and pets away when it is in use.
2. The treadmill is not intended for use by persons with reduced physical, sensory, or mental capabilities or lack of experience and knowledge, unless they have been given supervision or instruction concerning use of the treadmill by someone responsible for their safety.
3. Wear the safety cord and clip all times while using the treadmill. Always stand on the side rails before the treadmill starts.
4. Before beginning any exercise program on the treadmill, it is important to consult with your physician if you have any of the following: history of heart disease, high blood pressure, diabetes, chronic respiratory diseases, elevated cholesterol, if you smoke cigarettes or if you experience any other chronic diseases or physical complaints.
5. If over the age of 35 or overweight or pregnant, consult with your physician before beginning any exercise program.
6. If you experience dizziness, nausea, chest pains or other abnormal symptoms during exercise, stop the exercise session immediately. Consult your physician before continuing.
7. Drink fluids if you exercise for twenty or more minutes on the treadmill.
8. Always follow the console instructions for proper operation.
9. Unplug from outlet when not in use, and before servicing or moving the unit.
10. Never operate your treadmill if it has a damaged cord or plug, or if it is not working properly. Contact your authorized BODYCRAFT fitness dealer for service and repair.
11. Keep the power cord away from heated surfaces.
12. Never insert any objects or body parts into openings.
13. Keep hands and feet away from all moving parts.
14. Use the handrails when getting on and off your treadmill.
15. Check the power requirement for your unit to see if it matches your local power outlet.
16. Do not operate the heart rate monitor transmitter together with an electrical heart pacemaker. The transmitter may cause electrical disturbances.
17. Inspect this treadmill prior to exercising to ensure it is working properly. Always make sure all components are fastened securely.
18. This treadmill is intended for indoor use. Do not place the unit outdoors.



## PRODUCT SAFETY 2 OF 2

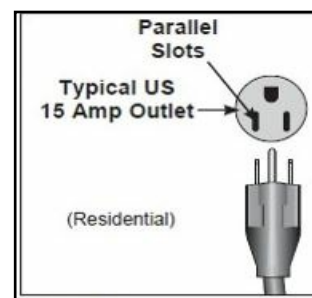
19. Keep the treadmill away from walls to allow proper ventilation. Air should be able to circulate freely around the unit. Keep all air openings free of dirt and dust.
20. Do not operate if oxygen equipment is being utilized or if aerosol (spray) products are being used in the area.
21. Place the treadmill in an area that will meet minimum clearance requirements: Front 12" (.3m), Sides: 24" (.6m) & Back 79" (2m) and from any obstruction object while using the machine.
22. Wear proper exercise clothing and shoes for your workout and avoid loose clothing. Never exercise in bare feet or socks; always wear correct footwear, such as running, walking, or cross-training shoes.
23. Never walk or jog or run backwards on the treadmill.
24. Higher speed and higher incline is not for everyone. It is designed for occasional use of a skilled runner and may exceed many users' capabilities. Stop right away if you feel any discomfort.
25. Place your treadmill on a solid, level surface when it is in use. Adjust the levelers at the rear of the treadmill if necessary.
26. Be careful to maintain your balance while using, mounting, dismounting, or assembling the equipment. Loss of balance may result in a fall and serious bodily injury. Use care when getting on or off the treadmill. When stepping on the running belt, always grasp the handrail and keep the initial speed at or below 1 mile per hour (mph).
27. Make sure the running belt is at a complete stop before exiting the machine.
28. Never leave the treadmill unattended when plugged in. Unplug from outlet when not in use, before putting on or taking off parts. When the treadmill is not in use, disconnect the treadmill by turning the power switch to the Off position, and then remove the power plug from the electrical outlet.
29. To prevent unauthorized use, remove the **Safety Key** after the workout and store it in a safe place. The treadmill cannot operate unless the **Safety key** is attached to the console.
30. Always attach the **Safety key** securely to your clothing when using the treadmill.
31. Do not operate electrically powered treadmill in damp or wet locations. **Do not use outdoors.**
32. The treadmill is intended for home use only. Do not use the treadmill in any commercial, rental, or institutional setting.
33. Do not pull the treadmill by the power cord or use cord as a handle. Always use two hands to lift the treadmill and roll it on its front wheels.
34. Keep the power cord away from heated surfaces.
35. Keep the top side of the moving surface clean and dry or potential injury will occur.
36. Read, understand, and test the emergency stop procedures before use.
37. Use this **T400 Treadmill** only for its intended use as described in this manual.
38. To ensure proper function of your treadmill, do not install attachments or accessories not provided or recommended by BODYCRAFT.
39. User weight is not to exceed 350 lbs (159 kgs).



**PLEASE FOLLOW THESE SAFETY PRECAUTIONS. FAILURE TO FOLLOW THESE INSTRUCTIONS CAN RESULT IN SERIOUS BODILY INJURY**

## POWER REQUIREMENTS

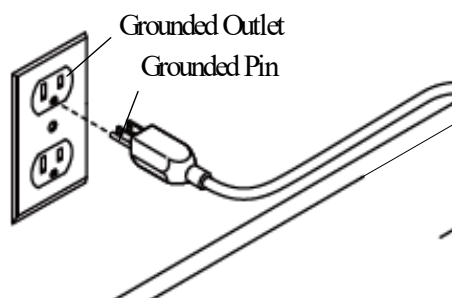
It is recommended that your treadmill be plugged into a plug it into a **Dedicated** 120V/15A for home use. The treadmill must be connected to a grounded receptacle having the same configuration as the plug. Improper connection of the grounding conductor can result in risk of electric shock. Check with a qualified electrician or serviceman if you are in doubt as to whether the treadmill is properly grounded. Do not modify the plug provided with this product. If it will not fit the outlet, have a proper outlet installed by a qualified electrician.



**A power strip should never be used.** Extension cords should be avoided, but we realize that in some cases an extension cord is needed. In this case, Appliance Grade extension cords are available at most if not all hardware stores. Buy only the minimum length required. We would avoid anything longer than 6 feet. Try to find one made with 12 gauge wire (3-wire is required). Do not use an adapter with your treadmill. To reduce the risk of electric shock, always unplug the treadmill from the electrical outlet immediately after use and before cleaning.



## GROUNDING INSTRUCTIONS

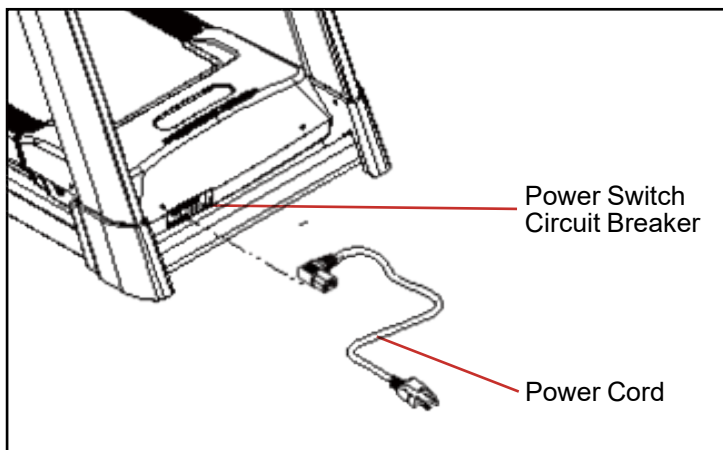


This product must be grounded. If the treadmill's electrical system should malfunction or breakdown, grounding provides a path of least resistance for electric current, reducing the risk of electric shock. This product is equipped with a cord having an equipment-grounding plug. The plug must be plugged into an appropriate outlet that is properly installed and grounded in accordance with all local codes and ordinances.

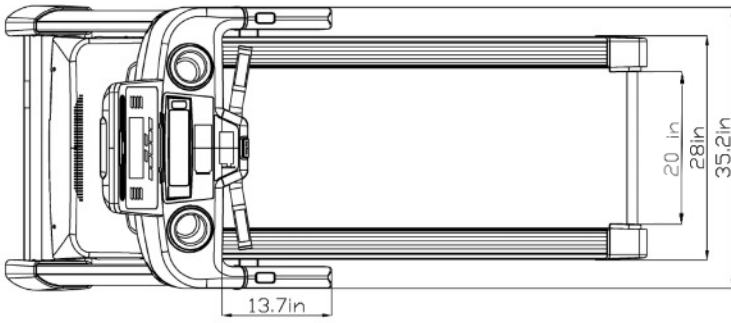
**DANGER** - Improper connection of the equipment-grounding conductor can result in a risk of electric shock. Check with a qualified electrician or serviceman if you are in doubt as to whether the product is properly grounded. Do not modify the plug provided with the product if it will not fit the outlet; have a proper outlet installed by a qualified electrician.

This product is for use on a nominal 120 volt wall circuit, and has a grounding plug that looks like the plug illustrated in the figure. Make sure that the product is connected to an outlet having the same configuration as the plug. No adapter should be used with this product.

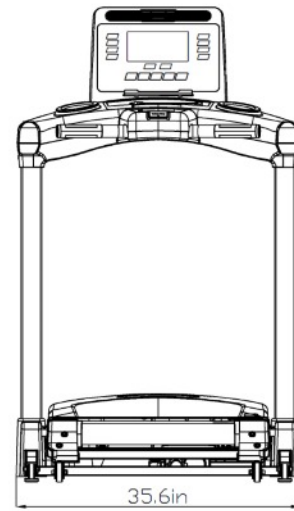
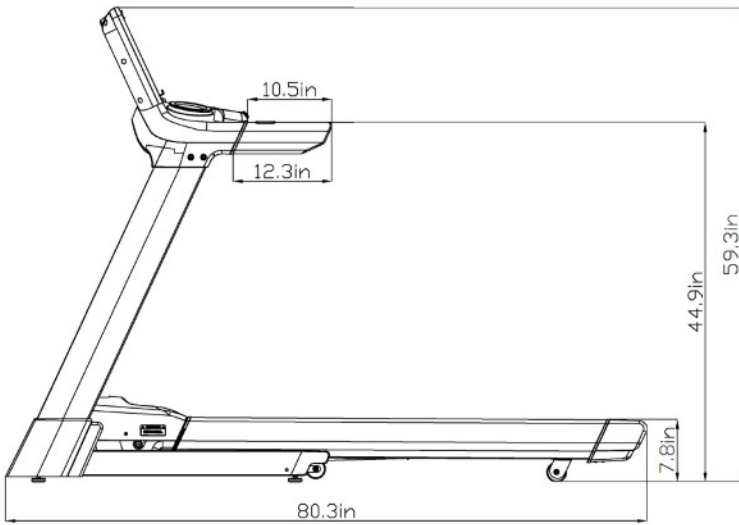
# PRODUCT OVERVIEW



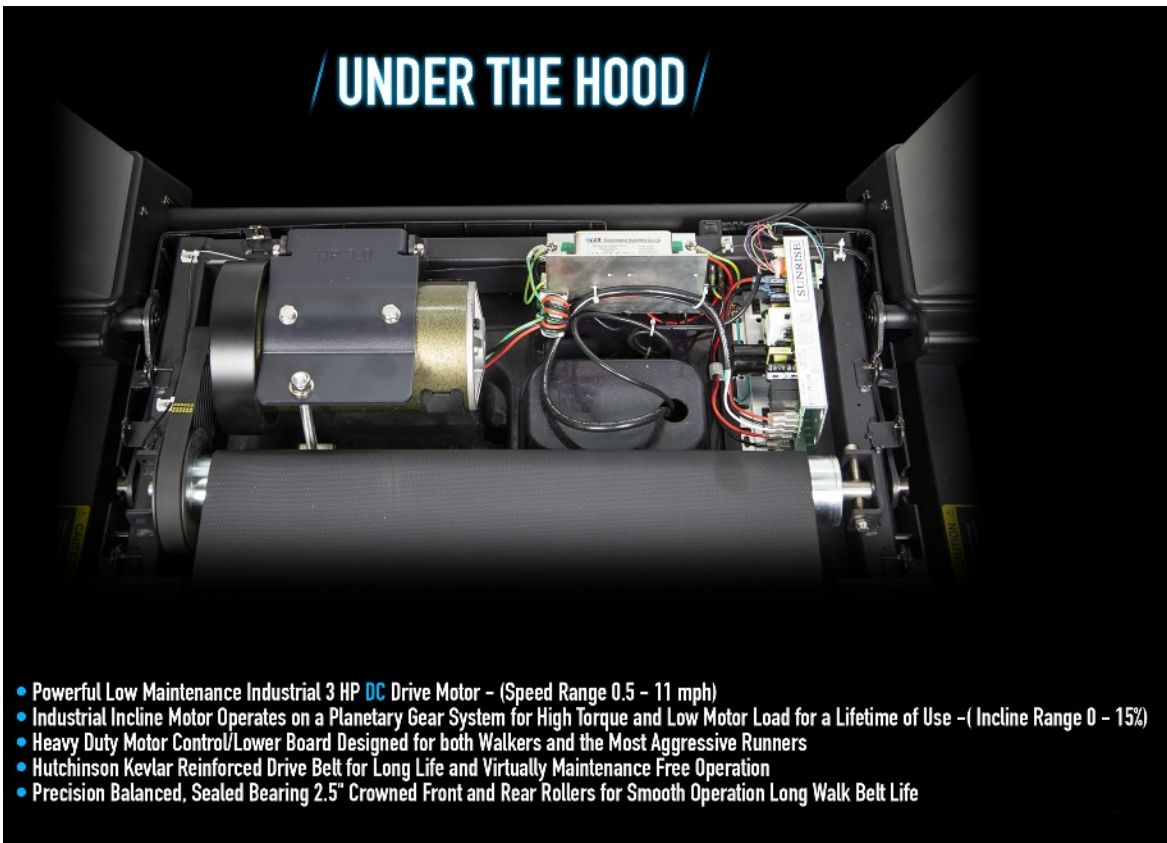
# PRODUCT SPECIFICATIONS



	Physical Dimensions	Shipped Dimension Box 1	Shipped Dimension Box 2
<b>Length</b>	80.3"/204cm	90.5"/230cm	N/A
<b>Width</b>	35.6"/90.5cm	38"/97.5cm	N/A
<b>Height</b>	59.3"/150.6cm	13.7"/35cm	N/A
<b>Weight w/ console</b>	254lb/115kg	282lb/127.7kg	N/A



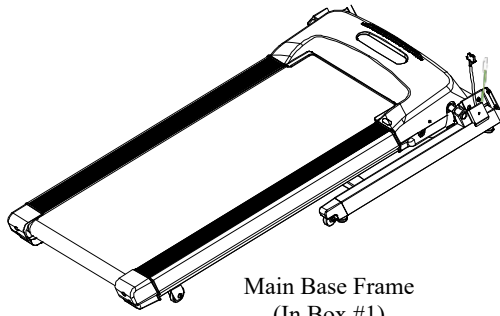
## UNDER THE HOOD



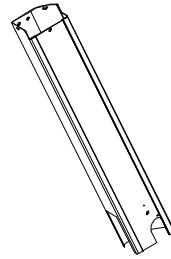
- Powerful Low Maintenance Industrial 3 HP DC Drive Motor - (Speed Range 0.5 - 11 mph)
- Industrial Incline Motor Operates on a Planetary Gear System for High Torque and Low Motor Load for a Lifetime of Use - (Incline Range 0 - 15%)
- Heavy Duty Motor Control/Lower Board Designed for both Walkers and the Most Aggressive Runners
- Hutchinson Kevlar Reinforced Drive Belt for Long Life and Virtually Maintenance Free Operation
- Precision Balanced, Sealed Bearing 2.5" Crowned Front and Rear Rollers for Smooth Operation Long Walk Belt Life



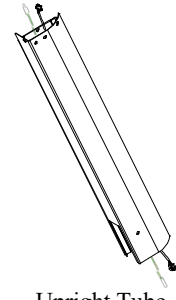
# PARTS IDENTIFICATION CHART & TORQUE SPECS



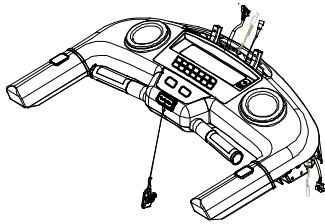
Main Base Frame  
(In Box #1)  
Total 1 each



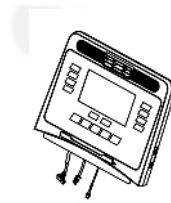
Upright Tube - Left  
Total 1 each



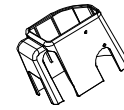
Upright Tube - Right  
Total 1 each



Handrails & Control Platform  
(In Box #1)  
Total 1 each



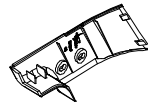
Console (In Box #3)  
Total 1 each



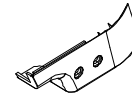
Upright Tube Cover - Left  
Total 1 each



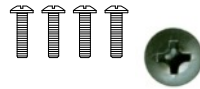
Upright Tube Cover - Right  
Total 1 each



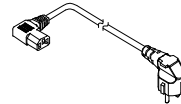
Handlebar Cover - Left  
Total 1 each



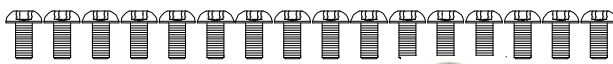
Handlebar Cover - Right  
Total 1 each



M5 x 20mm L  
Phillips Head Screws  
Total 4 each #150



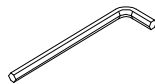
Power Cord 120v  
Total 1 each



M8 x 16mm L  
Allen Head Bolts  
Total 16 each #72



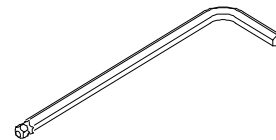
M6 x 35mm L  
Allen Head Bolts  
Total 2 each #149



5mm x 113mm L  
Allen Wrench



6mm x 103mm L  
Allen Wrench & Screwdriver



6mm x 191mm L  
Allen Wrench

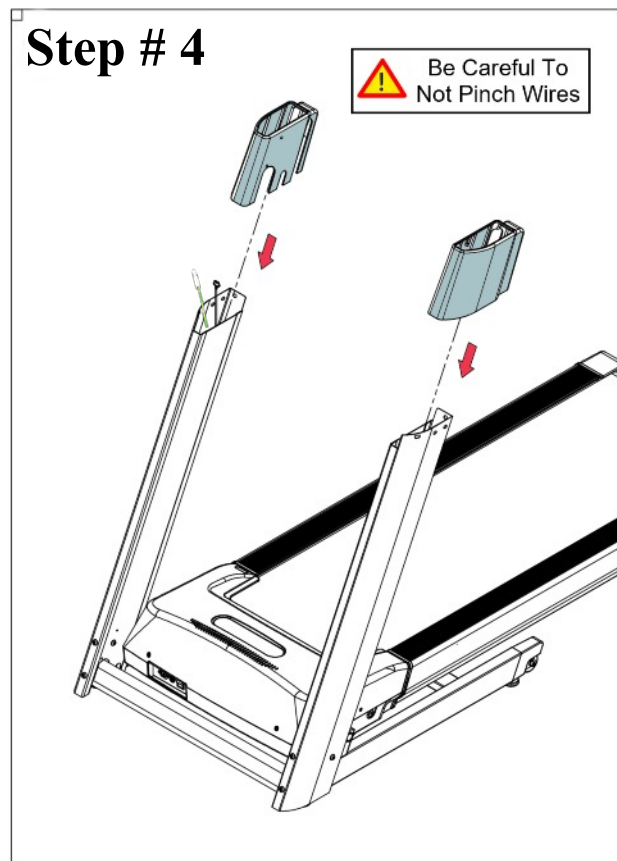
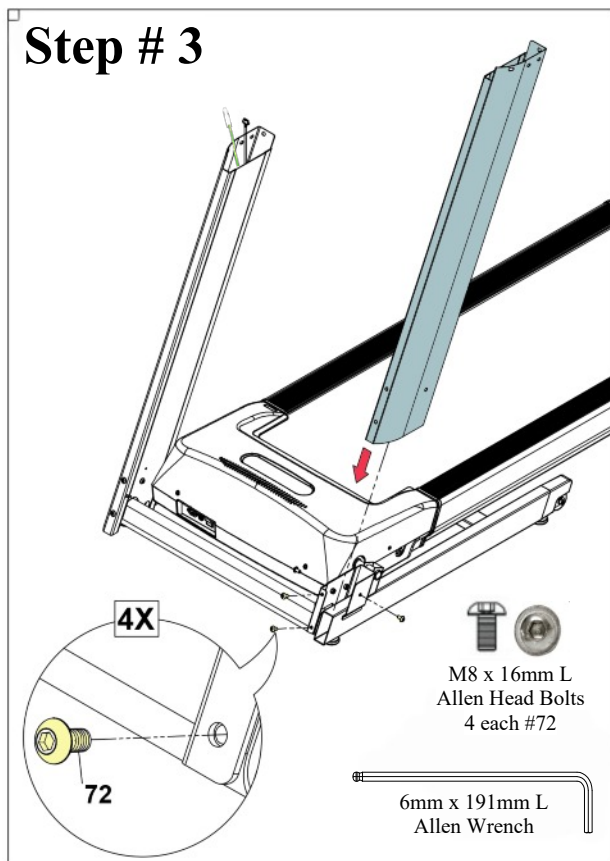
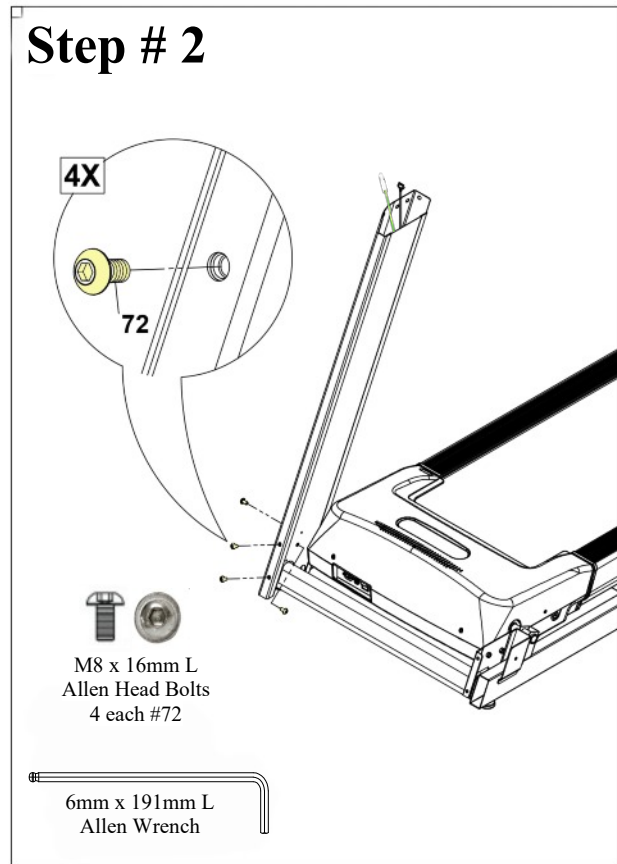
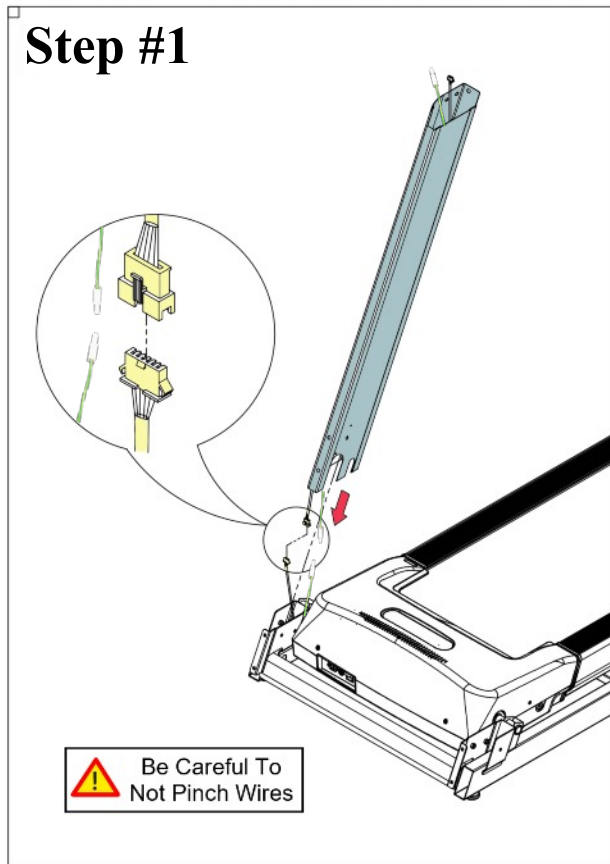
## Metric Steel Bolts Torque Specifications

Bolt Size	Thread Pitch	Torque, N-m (lbs-ft)
6mm	1.25	10 to 13.5 (8 to 10)
8mm	1.25	25.5 to 28.5 (19 to 21)

# PRODUCT ASSEMBLY



Please Hand Tighten All Bolts Until Finished With Step # 7





# PRODUCT ASSEMBLY



Please Hand Tighten All Bolts Until Finished With Step # 7

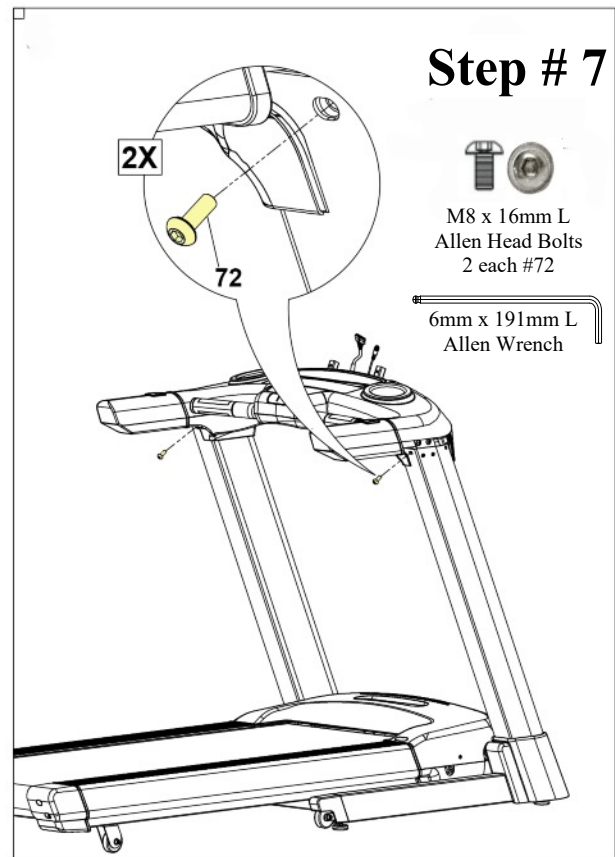
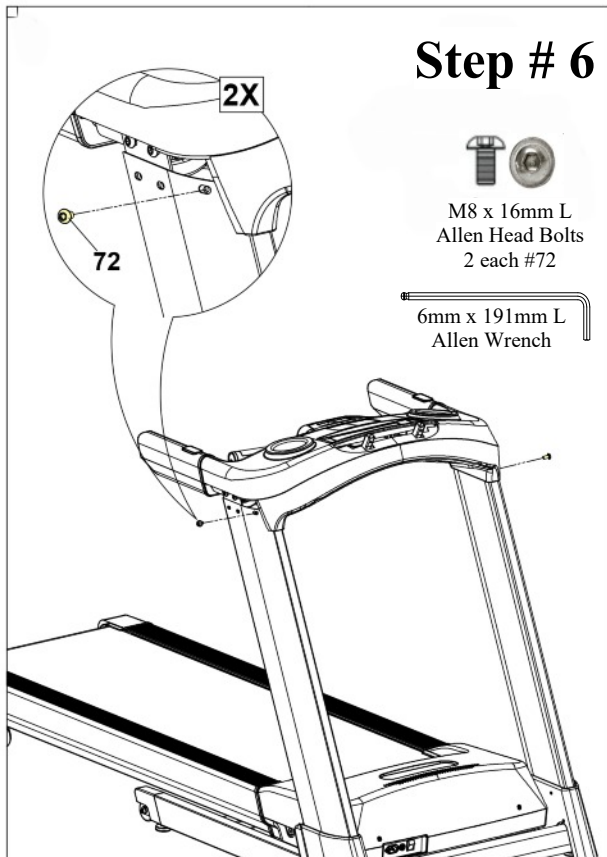
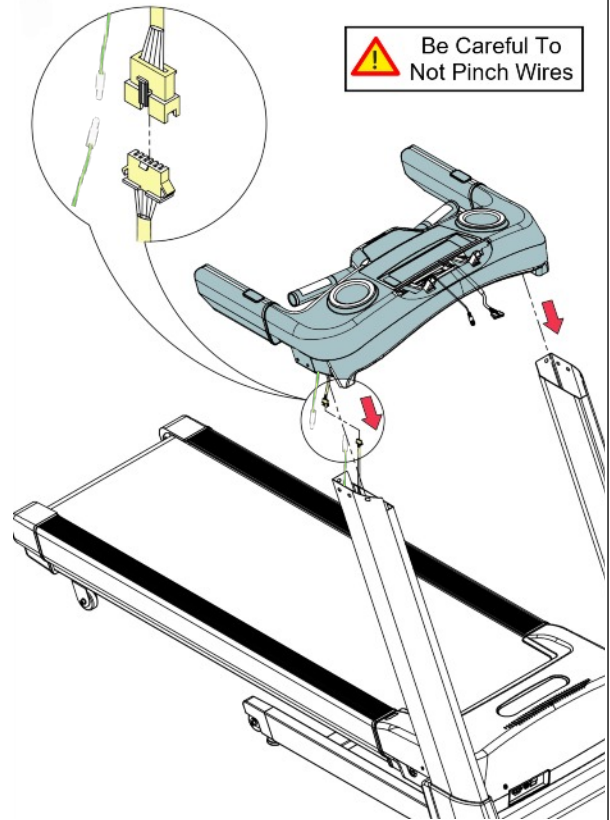
## Step # 5

Requires two persons due to the weight and wire-harness connections to be done at the same time.

*Note: Please be careful of pinching the wires and your fingers.*



**CAUTION**  
Pinch Point  
Keep hands clear of edges



Please Tighten All Bolts at this time!  
Then continue to Step # 8.

# PRODUCT ASSEMBLY

## Step # 8

**2X**

M8 x 16mm L  
Allen Head Bolts  
2 each #72

6mm x 191mm L  
Allen Wrench

## Step # 9

**2X**

M8 x 16mm L  
Allen Head Bolts  
2 each #72

6mm x 191mm L  
Allen Wrench

## Step # 10

**2X**

150

M5 x 20mm L  
Phillips Head Screws  
Total 2 each #150

6mm x 103mm L  
Allen Wrench & Screwdriver

## Step # 11

**2X**

150

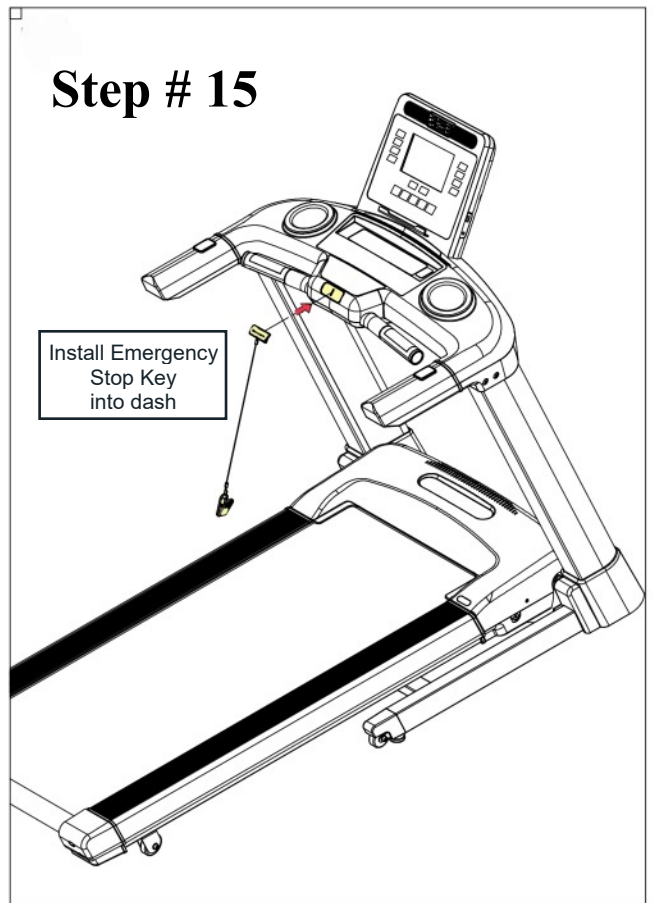
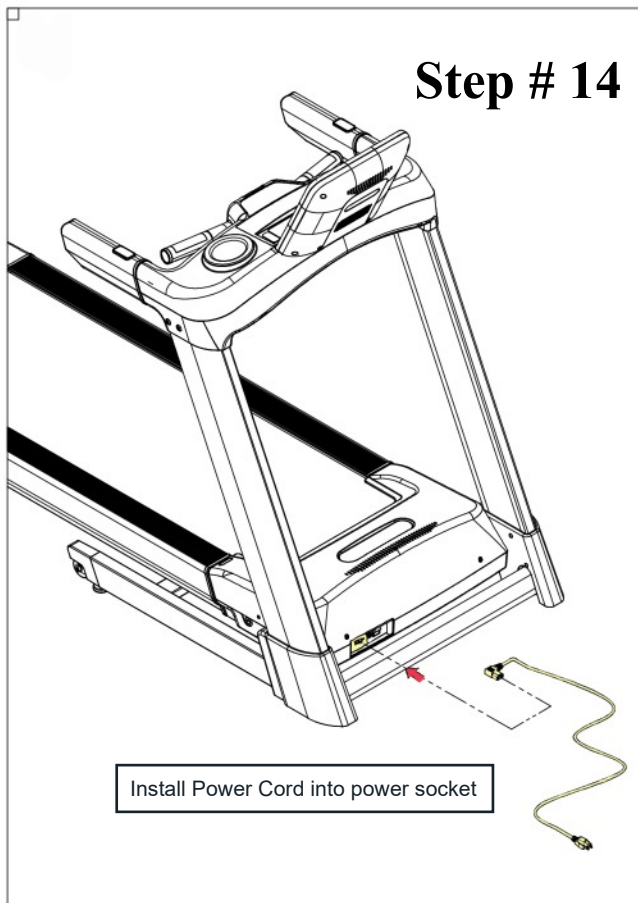
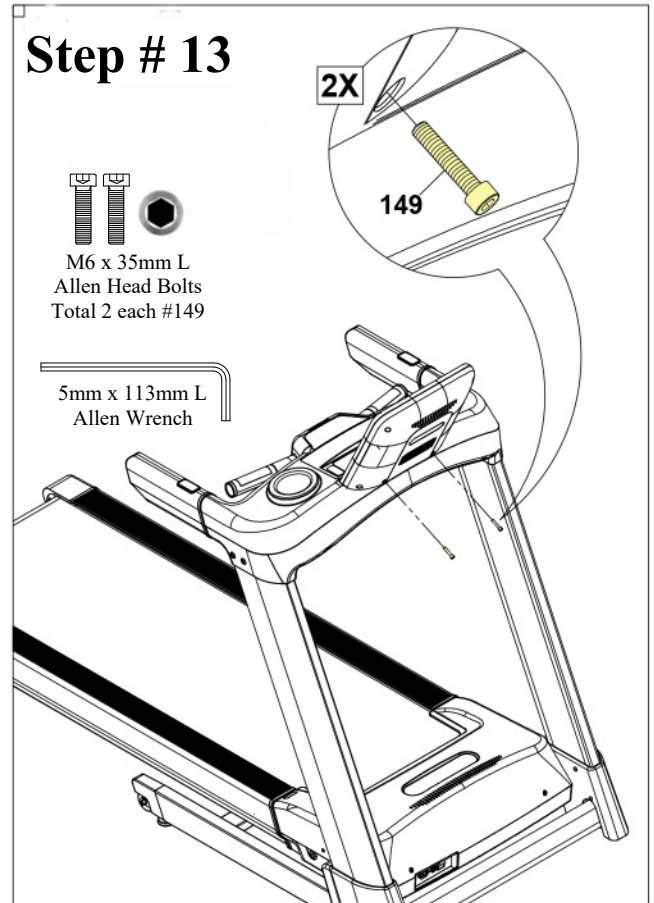
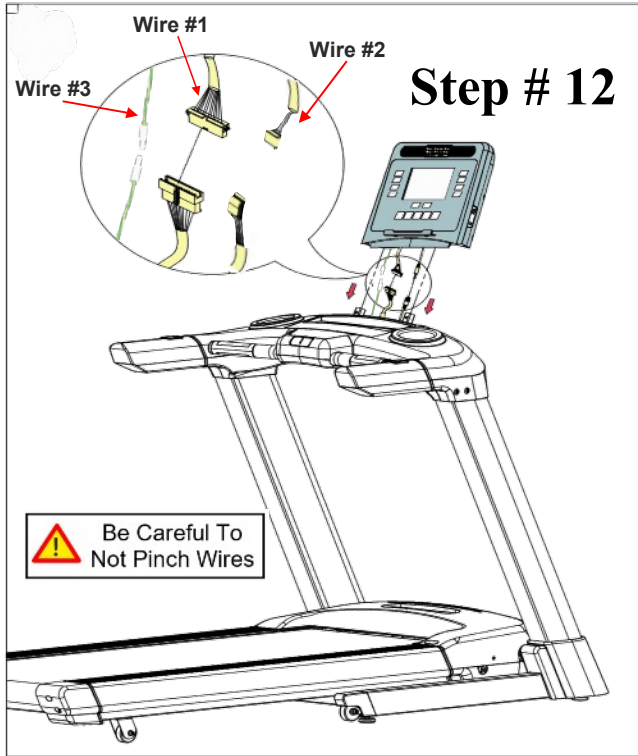
M5 x 20mm L  
Phillips Head Screws  
Total 2 each #150

6mm x 103mm L  
Allen Wrench & Screwdriver

# PRODUCT ASSEMBLY

**Note:** There will be 3 cables wire with connections coming out of each treadmill upper dash area to be connected to one of the above console docking stations.

- The 1<sup>st</sup> wire is the main communication cable with 7 pins for all consoles.
- The 2<sup>nd</sup> wire is the additional power cable 2 pins ONLY for the 10' & 16" Touch consoles
- The 3<sup>rd</sup> Wire is the Grounding wire in Green with white strips. This wire must be connected if the console also has this wire.



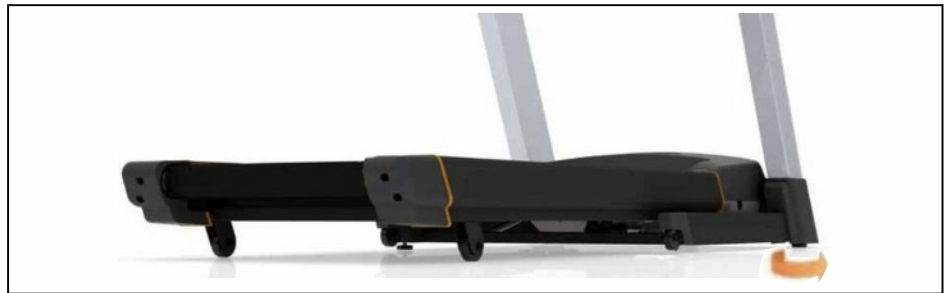
**Please Confirm All Bolts are Tightened at this time!**



## LEVELING THE TREADMILL

Sometimes floor surfaces are not level or even. Once your treadmill is in the desired location, take the time to ensure that it is stable. All four contact points should make contact with the floor (2 wheels at the front and 2 adjustable rear stabilizers). If necessary, adjust the height of the rear stabilizers by turning it clockwise or counterclockwise to either lower or raise the machine. Test by walking or running the machine to ensure that the treadmill is not rocking on your floor. It must be level and stable to operate properly and eliminate any undue wear and tear on the treadmill or your floor.

In some cases you may need to purchase an optional mat that will also help level all 4 contact points. Mats will also help reduce noise and can help to protect most types of flooring. If you wish to purchase a mat, contact the dealer you purchased the treadmill from or contact BODYCRAFT.

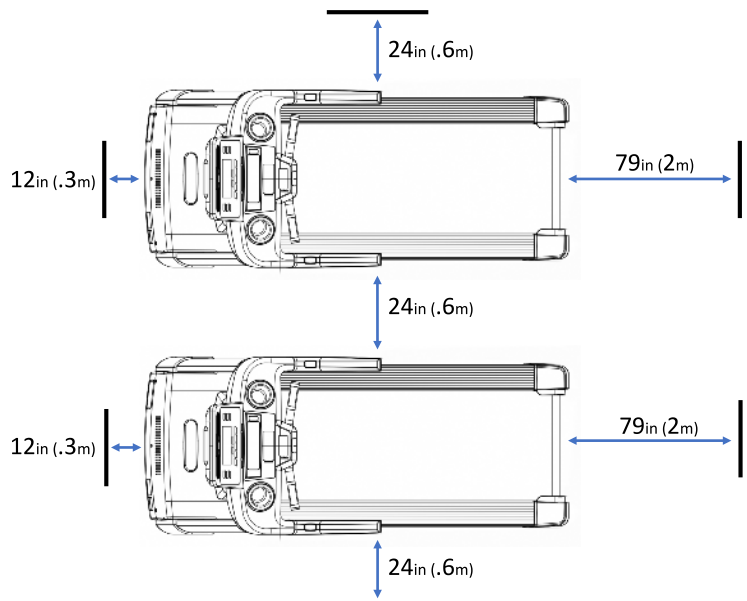


## SPACING REQUIREMENTS

BODYCRAFT recommendation is to leave a minimum of a 79 inches (2m) safety zone at the rear of the treadmill, 24 inches (0.6m) on each side of the treadmill and 12 inches (0.3m) in front of treadmill.

**U.S. and other regions:** The ASTM International (ASTM ) F2115 - 12 Standard recommends the minimum dimensions to be 1.64 ft. (0.5 m) on each side of the treadmill and 6.5 ft. (2 m) behind the rearward most portion of the usable moving surface or 6.5 ft. (2 m) behind the furthest rearward obstruction to emergency egress from the treadmill.

**EU:** The European EN ISO 20957 Safety Standard requires a 6.5 ft. (2 m) minimum from the rear of the treadmill to any object or surface and at least as wide as the treadmill.



## FOLDING THE TREADMILL

When you need more room in your home or simply want to move your treadmill to another location, it is very easy to do so with our exclusive Fold-N-Go Feature.

**Warning!!** Before folding the treadmill, make sure the running surface has come to a completed stop and it is at 0° incline or horizontal position. **Do not operate a folded treadmill.**

**Step 1:** While using the proper lifting technique (bend at your knees, use your legs to lift the treadmill, not your back), firmly grab the treadmill deck with both hands, at the side rail ends.

**Step 2:** Lift the deck upward.

**Step 3:** Continue lifting the deck. You will feel the assistance from the cylinder. Lift the deck until it locks in place. You should be able to see and hear it lock. To verify the cylinder is locked, simply pull down on the deck. The deck should not move. Your treadmill will remain locked in the upright position.



**CAUTION:** Do not grab the belt itself, as it may roll and you may lose your grip.

**Warning!!** When treadmill is folded, be cautious with young adults, children and pets playing on, around or underneath the treadmill.

### 16. MOVING THE TREADMILL

This treadmill is equipped with very easy to move transportation system. With the treadmill locked in the folding position, there are now 4 wheels on the ground. You should be able to grab the treadmill and push it wherever you would like.



## UNFOLDING THE TREADMILL

**Step 1:** With the treadmill in a folded position, firmly grab the treadmill deck with both hands at the side rail ends.

**Step 2:** Slightly push UP on the treadmill deck and use your foot to push forward on the upper part of the locked cylinder. While continuing to press on the cylinder with your foot, release your upward effort and move your hands away from the deck.

**Step 3:** The cylinder is now unlocked and the deck will begin lowering to the floor slowly. Step back out of the way as the deck lowers to the floor. Your treadmill is now in place and ready to use. No locking is required.







## CONSOLE OPERATIONAL INSTRUCTIONS

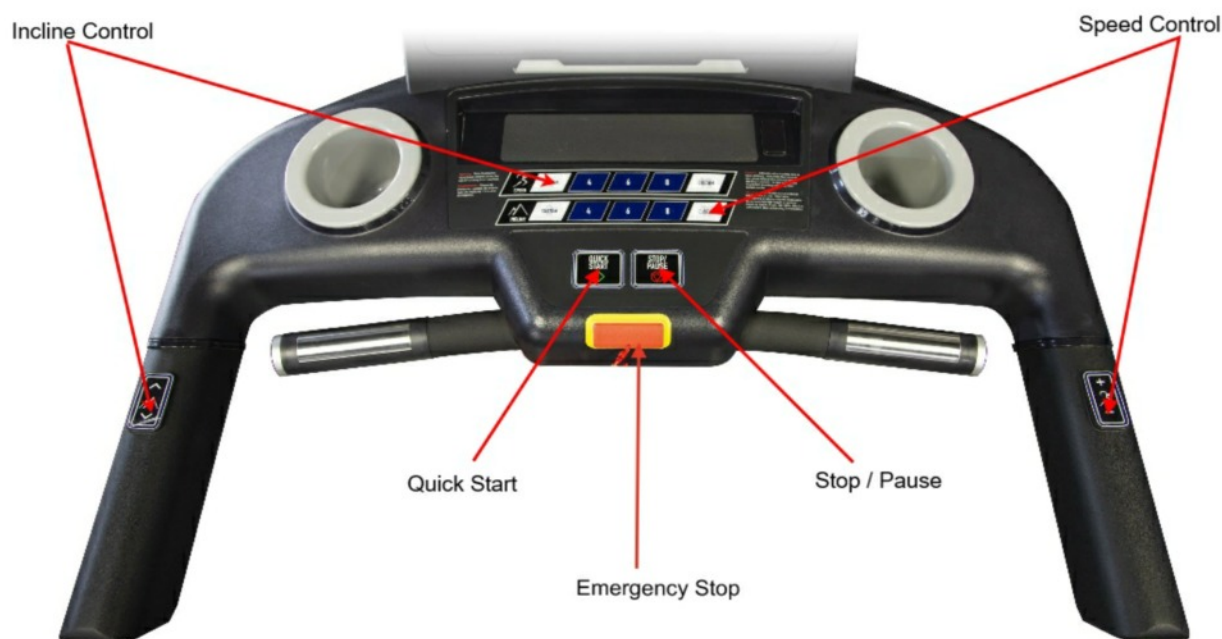
Please read the console operational instructions thoroughly and get familiar with the console layout.

Practice using this console before you start to get a better understanding of the functions. Below are the console layout and detailed operational instructions.

To power up the treadmill, locate the power cord attached to the front of the treadmill and plug it into a **Dedicated** 120V/15A for home use with a grounded wall outlet. Turn on the power switch to wake up the treadmill and go into the idle mode.

**Always turn off the treadmill after hours when not in use.**

**At Installation:** The console needs to be paired with the treadmill product model correctly to ensure smooth operation. When the console is powered on the first time, it needs to be calibrated. Please follow the message window prompts to calibrate before use.



## SAFETY KEY CLIP & TETHER

Your treadmill will not start unless the safety key is placed on the proper location of treadmill console. Attach the safety key clip properly onto your clothes before operating treadmill. In case of an emergency, pull the safety key off the treadmill, it will cut off the power to the console and stop the treadmill immediately. Place the safety key back in place, and the treadmill will resume back to idle mode. Contact your dealer for a safety key replacement if you do not have one.

# CONSOLE OPTIONS

See Consoles Owners Manual for complete details with below links

## 16" SmartTouch Console

## 10" SmartTouch Console

## 9" LCD Console

- 16" TFT Touchscreen**
  - CSAFE Compatible
  - USB Input - Power Charging-Software Updates-MP3/MP4 Player
  - Headphone Jack - 3.5mm Line Out
  - 5KHz Wireless Heart Rate Receiver
  - BT & ANT+ Wireless Heart Rate Receiver-Wahoo Compatible
  - Bluetooth Audio
  - 3 Speed Tilting Fan
  - 38 Programs and 10 Favorites for Each User
  - 6 Custom User Profiles-Stores Comprehensive Data
  - WIFI & Ethernet Connectivity, Media Includes-Youtube, Chrome, Facebook, Pinterest, Instagram, Twitter, Music, Video, HDMI, Screen Mirroring
- 10" TFT Touchscreen**
  - CSAFE Compatible
  - USB Input - Power Charging-Software Updates-MP3/MP4 Player
  - Headphone Jack - 3.5mm Line Out
  - 5KHz Wireless Heart Rate Receiver
  - BT & ANT+ Wireless Heart Rate Receiver-Wahoo Compatible
  - Bluetooth Audio
  - 3 Speed Tilting Fan
  - 38 Programs and 10 Favorites for Each User
  - 6 Custom User Profiles-Stores Comprehensive Data
  - WIFI & Ethernet Connectivity, Media Includes-Youtube, Chrome, Facebook, Pinterest, Instagram, Twitter, Music, Video, HDMI, Screen Mirroring
- 9" Backlit LCD**
  - CSAFE Compatible
  - USB Input - Power Charging-Software Updates
  - 5KHz Wireless Heart Rate Receiver
  - BT & ANT+ Wireless Heart Rate Receiver
  - 3 Speed Tilting Fan
  - 14 Programs
  - 2 Custom User Profiles-Stores Comprehensive Data

[www.bodycraft.com/16TS-qr.html](http://www.bodycraft.com/16TS-qr.html)

[www.bodycraft.com/10TS-qr.html](http://www.bodycraft.com/10TS-qr.html)

[www.bodycraft.com/9LCD-qr.html](http://www.bodycraft.com/9LCD-qr.html)



# HEART RATE MONITORING GRIPS & WIRELESS RECEIVER

## Pulse Hand Grips

This product comes standard with stainless steel pulse hand grips. To activate, gently grasp both hand grips to obtain a heart rate reading.

**Pulse Grip Operating Tips:** If you are not getting a consistent reading while using the hand pulse option, we recommend the following suggestions:

- Make sure that the palms of the hands are touching the contact area of each hand pulse grip.
- Maintain an even pressure on the grips.
- Do not hold the hand pulse grips too tightly.



## Built in Wireless Heart Rate Receiver

*Note: Chest strap transmitter does not come with this unit; contact BODYCRAFT, or your dealer for purchase.*

This product is equipped with a built-in receiver for your Heart Rate monitoring. Any Heart Rate telemetry strap that transmits at 5 kHz is compatible. To get an accurate reading using these devices, you will need to be within 3' feet of the console, and a minimum of four feet from others using a heart rate monitoring device. This BODYCRAFT unit is also equipped with BLE, ANT+, as well as 5K heart rate receivers.

*Note: The Transmitter may fluctuate erratically if you are too close to the hear-rate monitoring equipment or there is other electronics near by, such as TV & Radio.*

While using heart rate control modes, the computer monitors the exact measurement of your pulse. Heart rate frequency is displayed while the computer continually compares heart rate to the preprogrammed personal data. The computer adjusts the wattage to maintain heart rate at the preprogrammed level.



## How to Wear Your Sensor/ Transmitter (Chest Strap)

1. Buckle one end of the chest strap onto the transmitter.
2. Adjust the band length so that the fit is snug, but not too tight.
3. Buckle the other end of the chest strap onto the transmitter.
4. Center the transmitter on your chest below the pectoral muscle (breasts).
5. Stretch the transmitter away from your chest and moisten the conductive electrode strips located next to the buckles with water.

**Note:** *The transmitter is on automatically when being worn. It is off when it is not connected to your body. However, as moisture may activate the transmitter, thoroughly dry the transmitter to prolong battery life.*

## HEART RATE TIPS

### Erratic Heart Rate Readings:

Erratic readings on the receiver can be caused by electromagnetic disturbances. If the heart rate readings appear to be abnormal, check that your product is not within range of other strong electromagnetic signals.

Common sources are televisions, computers, cars, cell phones, TV antennas and high voltage power lines (both above and below ground). Please note: Static electricity in clothing or a flapping shirt can cause electrical interference, so some items of clothing, i.e. manmade fibers, can also be the cause. Please try wetting the T-shirt in the area where the transmitter is.

If the battery of the transmitter is running low, the transmission range decreases and may cause errors similar to the ones listed above in this document.

### Heart rate is an important key to your exercise

Medical research has shown us that there is an amount of exercise, which is enough to condition the cardio respiratory system and the muscles of the body. This amount of exercise is between 60% and 85% of your maximum heart rate measured during a training session. This range allows enough exercise to achieve fitness, but not an excessive amount to cause injury. Your heart rate is an excellent indicator of the amount of stress placed on the cardiovascular system.

If exercise intensity is too low or too high, no gains will be made in fitness. If the intensity is too low, the stress levels are ineffective. If the intensity is too high, injury or fatigue may set your exercise program back as you try to recover. Your target heart rate, the intensity needed to improve cardiovascular fitness, depends primarily on your age and not your state of fitness. It is calculated as a percentage of your maximum heart rate, estimated as 220 minus your age. It is most effective to train at your target heart rate between 60% and 85% of your maximum heart rate.

## EXERCISE TIPS

### Get a smart start on exercising.

Anyone over the age of 35, as well as younger persons whom are overweight, should check with his/her Physician before beginning any type of exercise program. People who have diabetes or high blood pressure, a family history of heart disease, high cholesterol or have lead a sedentary lifestyle should protect themselves with a medical checkup and a stress test, preferably administered during exercise by a healthcare professional.

- Always stretch before your workout to loosen muscles, and afterwards to cool down.
- The first few minutes of your workout should be devoted to warming up muscles before a vigorous workout, and building your heart rate slowly.

After your aerobic workout of about 24-32 minutes, spend 10 minutes gradually reducing your heart rate with a lower resistance level.

***Remember, to start slow, with intensity low, until you build endurance and strength.***

***And always consult your physician before beginning any exercise program.***



# PREVENTIVE MAINTENANCE

*Preventive Maintenance is the responsibility of the owner and not covered under warranty.*

*(Example of changing oil and rotating tires on new car.)*

To maximize the life of your treadmill, and minimize downtime, all BODYCRAFT equipment requires regular cleaning and maintenance performed on a scheduled basis. Always unplug the power cord from the wall before servicing near potential moving parts or under the hood. ONLY qualified service professionals or BODYCRAFT dealers should remove the motor hood.

## Service icon on the display

- A service icon on the console will turn on at 250 miles/400 km to remind the owner that maintenance is needed. After service is completed, press STOP for 5 seconds to return IDLE mode. Then 250 miles/400 km intervals for the remainder of the running belt / deck life.

## Daily Maintenance Items

- Clean entire machine using water and mild detergent such as "Simple -Green" (cleaning agents should be alcohol and ammonia free), including console, handlebar / grip area and running belt.
- Check Emergency Stop Key and tether cord for proper operation.

## Monthly Maintenance Items

- Vacuum under treadmill and wipe off all dirt around rollers & belt/deck areas.
- Inspect power cord for damage, inspect hand grip areas. and inspect the Emergency Stop tether cord.
- Check running belt for proper tension, adjust if needed. It is especially important to check the running belt for tension after the first 30 days of usage. All new belts will stretch, and belt slippage can be detected by users if the running belt does not have the proper tension.

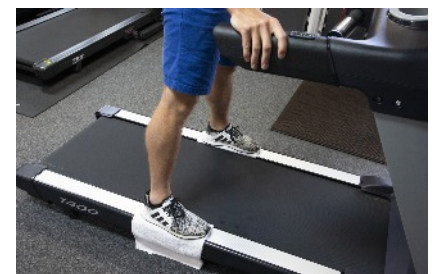


## Quarterly / Semi-Annual Maintenance Items

- Unplug the power cord from the wall, then remove the front plastic cover, and vacuum entire inside area of the machine - be careful when working around the lower PC board not to bump any wires or connections loose.
- Check drive belt for visible wear, i.e., cracking, tears, etc. The belt should be replaced if there are any visible signs of damage. Proper alignment of the pulley needs to be confirmed.
- **T400DC** – On DC drive motors, blow out dirt, clean commutator, and brushes.

## Annual Maintenance Items

- Unplug the power cord from the wall, inspect the underside of running belt for damage - checking /cracking, glazed surface.
- If the belt has damage or wear to it that warrants replacement. please note that the running deck must also be flipped when a new belt is installed. If the deck has previously been flipped and no longer has an unused side available. it needs to be replaced when the new belt is installed.
- Unplug the power cord from the wall, clean between belt and deck with a large towel, then lube with BODYCRAFT deck lube. Walk-in lube for 1 min, then run belt at 8 mph for 2 mins.
- Start the unit and raise incline settings to maximum height. Turn power switch off at front of the machine to prevent it from lowering accidentally. Lubricate incline motor screw (Recommends using Superlube brand grease with PTFE {Teflon} additive).
- During normal operating conditions. the running belt and deck replacement should be done every 20,000 miles.
- **T400 Treadmill** – On the DC drive motors, blow out dirt, clean commutator, and brushes. Replace brushes if less than 50% about ½ inch, replace with original BODYCRAFT parts.



# RUNNING BELT TENSION AND ALIGNMENT ADJUSTMENT

## Belt Tension and Alignment Adjustment

Proper belt adjustment is important for smooth and safe operation of the treadmill. If the belt is too loose, you will feel a slight hesitation each time you take a step. The adjustment screws must be tightened evenly in order to adjust the belt properly. The adjustment screws are located at the rear of the treadmill in the end caps.

Both adjustment screws should be tightened 1/4 turn in a clockwise direction with a wrench and the belt checked for slipping after each adjustment. If the belt continues to slip, repeat this process until the belt stops slipping. Make sure to only turn the adjustment screws 1/4 turn each time until the slipping stops. This will insure that you do not over-tighten the rollers. Over-tighten the rollers may cause serious damage to the treadmill.

## Belt Alignment

If the belt tracks too close to one side, loosen the adjustment screw on the opposite side, turning it counterclockwise 1/4 turn. Restart the treadmill and run it at 5 mph / 8 kph for 1 to 2 minutes to insure the belt will stay in the center. Repeat the procedure if necessary.

**If noises develop or malfunctions occur, stop using treadmill and contact BODYCRAFT Customer Support immediately.**



## WHY LUBRICATE THE BELT/DECK AREA?

***Lubrication to the deck is very important to your treadmill.***

Your treadmill is equipped with a pre-lubricated low friction, reversible deck, that reduces the frictional forces working against the treadmill's drive motor. Over time, belt and deck wear due to regular use can increase friction forces and make your treadmill's motor work harder. This is true for any motor driven mechanical device. Keeping friction to a minimum helps extend component life. Additionally, nonuse of the treadmill for an extended period can lead to a dry deck. If the treadmill belt slows down very quickly after you have completed your workout, it may lack adequate silicone.

# LUBRICATING THE RUNNING BELT

BODYCRAFT provides a *Lube Indicator* on your console indicating when the running belt lubrication is required. The indicator will light up every 250 miles/400 km. If you see this indicator pop up on the screen, follow the lubrication instruction below or call a certified BODYCRAFT service provider.



**Please be sure your treadmill is powered off, before performing this maintenance.**

## Lubricating the Belt and Deck

**STEP 1:** Clean the area between the deck and the belt as described from the Preventive Maintenance page.

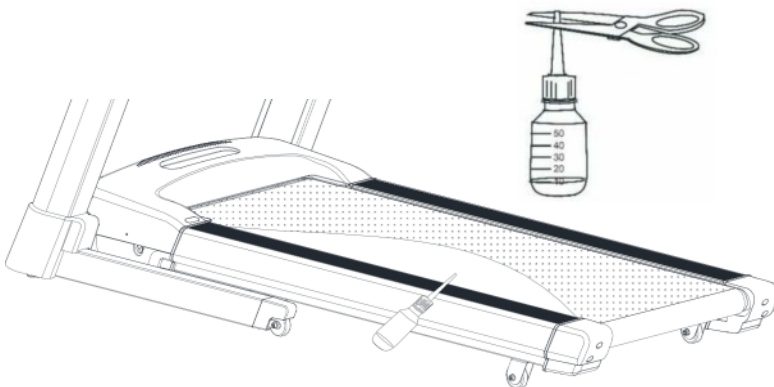
**STEP 2:** Take the BODYCRAFT 100% Pure Silicone Oil Bottle and cut the tip off. Then lift the running belt up and away from the deck as far as you can on the left side of the treadmill. Point the silicone bottle nozzle towards the center of the running deck. Lay a small bead of silicone on the deck, while moving down the deck continue holding the belt up as you go. Stop the lube about 2" from the side of the running belt edge.

Repeat the process on the right side of the belt. See below drawing

**STEP 3:** After Step 2, turn the power back on.

- For LCD console, press STOP button for a few seconds until the Lube indicator light turns off.
- For TFT (SmartTouch) console, please follow on screen instruction to reset the Lube timer.

**STEP 4:** Use QUICK START and walk on your treadmill at a low to moderate speed for 5 minutes to evenly distribute the silicone lubricant.



Lift up the running belt up and away from the deck as far as you can and add about 10 ml of silicone oil towards the center of the running deck from on the left side.

Do the same thing for the right side.

**NOTE:** If you lubricate too much, the running belt may slip or liquid may flow out from the machine. Only use 1/3 of bottle (1 oz) per lubrication.



**Caution:** Do not drip any lubricate on top of the running belt. Completely clean top surface with a mild soap cleaner if needed. Check top running surface is 100% dry before using treadmill.

*Lubricant is necessary when the deck becomes dry to maintain your treadmill's warranty and keep in a good working condition.*



**[How to video on YouTube?](https://youtu.be/CL3OEdokZRU)**  
<https://youtu.be/CL3OEdokZRU>

To purchase lube bottle go to [www.bodycraft.com/treadlube.html](http://www.bodycraft.com/treadlube.html) or email [service@bodycraft.com](mailto:service@bodycraft.com)





## TROUBLESHOOTING & ERROR CODES

This troubleshooting guide is intended to assist diagnostics only and is not all inclusive. Technical specifications, error codes and programming are subject to change without notice.

BODYCRAFT accepts no liability for any damage or loss suffered by persons who rely wholly or in part on any description or statement contained within this manual.

For any questions or additional help, contact the BODYCRAFT Customer Support at 800-990-5556 9 am - 5 pm EST or Email: [service@bodycraft.com](mailto:service@bodycraft.com) for assistance with troubleshooting and diagnostics.

Malfunction	Possible Cause	Corrective Action
No Power	Unit turned off	Verify the On/Off switch is at the ON position
	Damaged power cord	Replace power cord
	Power cord not fully seated in socket	Inspect power connection at the unit and outlet
	No power at outlet	Using a voltmeter, verify power at outlet. Check breaker and still no power, call certified electrician to repair.
	Tripped circuit breaker or GFCI	The location of the circuit breaker is next to the On/Off switch. Verify the circuit breaker is not open. If the breaker is open reset. Confirm breaker is a non-GFCI circuit. A treadmill motor's frequency <b>Does Not Work</b> properly on GFCI protected circuits. Newer AFCI/GFCI wall circuits have the additional needed frequency protection to work with home treadmills.
Unit resets or pauses randomly	Damaged power cord	Replace power cord
	Power cord is not fully seated in the socket	Inspect power connection at the unit and outlet
	Safety e-stop key not fully engaged	Re-engage the safety/e-stop key to the console
	Insufficient power	Verify output voltage from a <b>Dedicated</b> 120v/15amp wall outlet with a voltmeter. Confirm no other items, like a wall air conditioner, are on the same circuit taking up the amps away from the treadmills needs.
	Pinched or loose main communication cable	Contact BODYCRAFT Customer Support 800-990-5556 9 am - 5 pm EST or Email: <a href="mailto:service@bodycraft.com">service@bodycraft.com</a>
	Error code is displayed on console	Check fuse on Lower Motor Controller. 3.15 amp micro fuse. If confirmed good, Test DC drive motor.
Walking belt is off center	Uneven floor	Adjust treadmill with rear leveling feet. Go to: Running Belt Alignment
	Adjust belt tracking	Go to: Centering the Running Belt
Walking belt hesitates or slips when stepping	Adjust belt tension	Go to: Tensioning the Running Belt
	Lubricate running belt	Go to: Treadmill Lubrication
Rubbing sound from treadmill when in operation	Walking belt is rubbing a straddle cover	Adjust belt tracking. Go to: Belt Tension and Alignment Adjustment
	Foreign object may be stuck under walking belt	Inspect under the unit. Remove any object that maybe under the unit.
	Roller bearings may be damaged	Contact BODYCRAFT Customer Support 800-990-5556 9 am - 5 pm EST or Email: <a href="mailto:service@bodycraft.com">service@bodycraft.com</a>
	Drive motor DC brushes may be dirty, worn down or damaged	
	Drive belt may be misaligned or damaged	

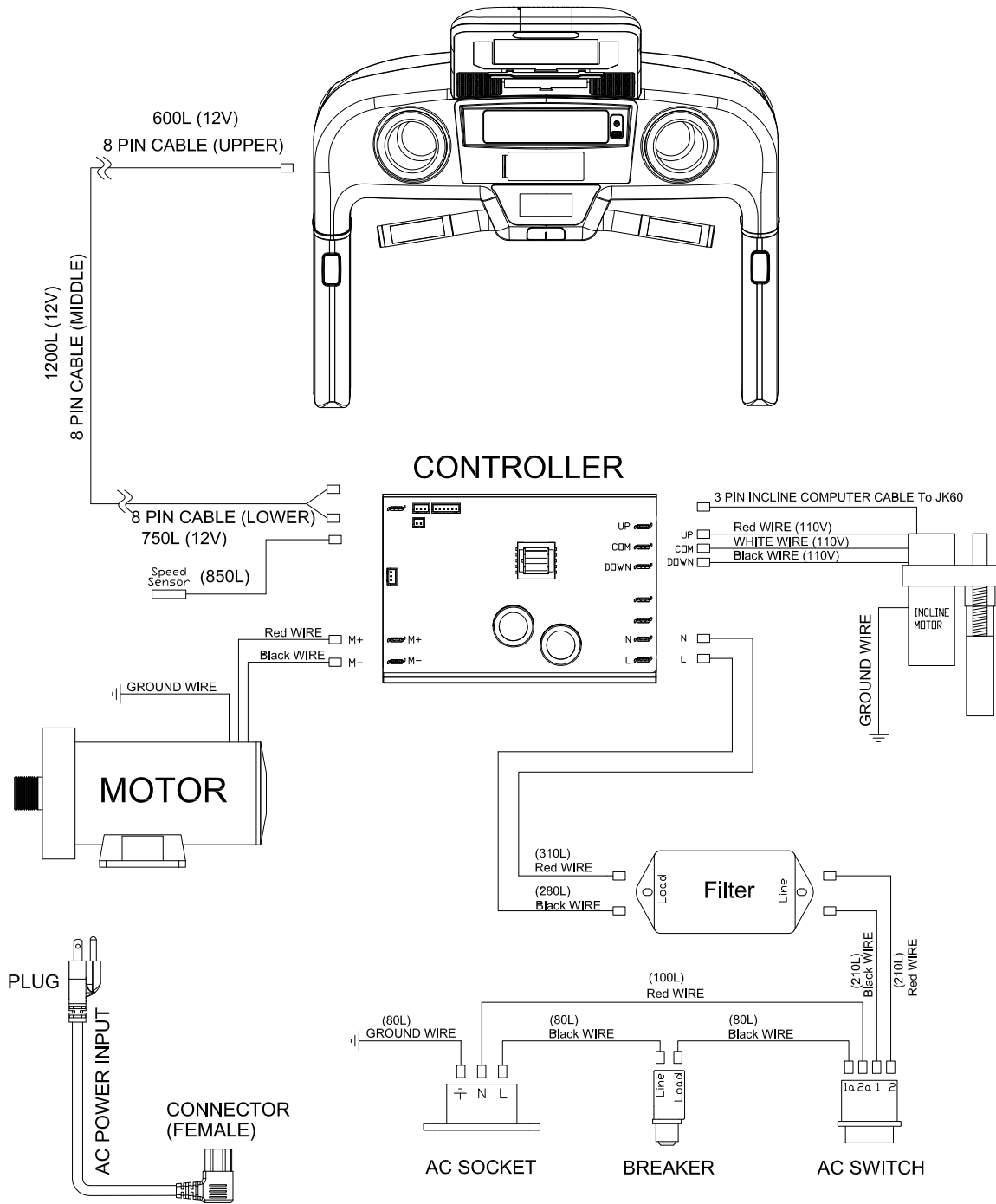
# TROUBLESHOOTING & ERROR CODES

Malfunction	Possible Cause	Corrective Action
Heart rate is displaying erratically or not displaying	Transmitter belt contacts are not Making good contact with the skin	Re-adjust the transmitter belt so that it is in full contact with the skin
	Contacts on the transmitter belt are not moist	Moisten the contacts on the transmitter belt
	Transmitter belt is not within 3 feet (1 meter) of the heart rate receiver	Adjust your position on the belt so that you are within 3 feet (1 meter) of the console
	The battery inside the transmitter belt is depleted	Replace the transmitter belt with a compatible transmitter belt
	Another user wearing a compatible transmitter strap is within 3 feet (1 meter) of the unit	Move the units so that there is more space in-between units
	Environmental interference from high voltage power lines	Move the unit to another position within the room or move the cause of the interference until heart rate readings are stable. If the probable source of interference is plugged into the same outlet move the suspect source to another outlet.
	Environmental interference from computers	
	Environmental interference from motor driven appliances	
	Environmental interference from cell or cordless phone	
Environmental interference from Wi-Fi router		

Error Code for DC Motors	Definition	Possible Cause	Corrective Action
E-1	Current Overload / Over Heating / Protection	Belt and deck may require lubricant <b>or</b> Belt and deck may be worn excessively	Go to page 22: Treadmill Lubrication If not fixed after lubrication procedure, then Contact BODYCRAFT Customer Support
E-5 E-6	Low AC Voltage High AC Voltage	- Unstable Voltage input. - Too many machines on one circuit	- Turn off all machines in the same room. - Run one treadmill for 5-10 mins while heavy running. - Confirm no extension cords & <b>Dedicated</b> 120v/15amp (20amp commercial use) circuit per treadmill.
E-2	No Speed Signal	Controller is not receiving the speed signal	Check wire harness for damage or completely connected at each connection point then recalibrate. If continues then contact BODYCRAFT Customer Support
E-16	Incline Error	- Bad connection with wire harness or connection. - Need recalibration.	- Check wire harness for damage or completely connected at each connection point. - Recalibration procedure needed.
E-21	Console EEPROM failure	Console display is damaged	Turn off & wait 5 mins. Turn back on, if still E-21 replace display.

# CIRCUIT DIAGRAM

## T400 TREADMILL CIRCUIT DIAGRAM



# PARTS LIST 1 of 2

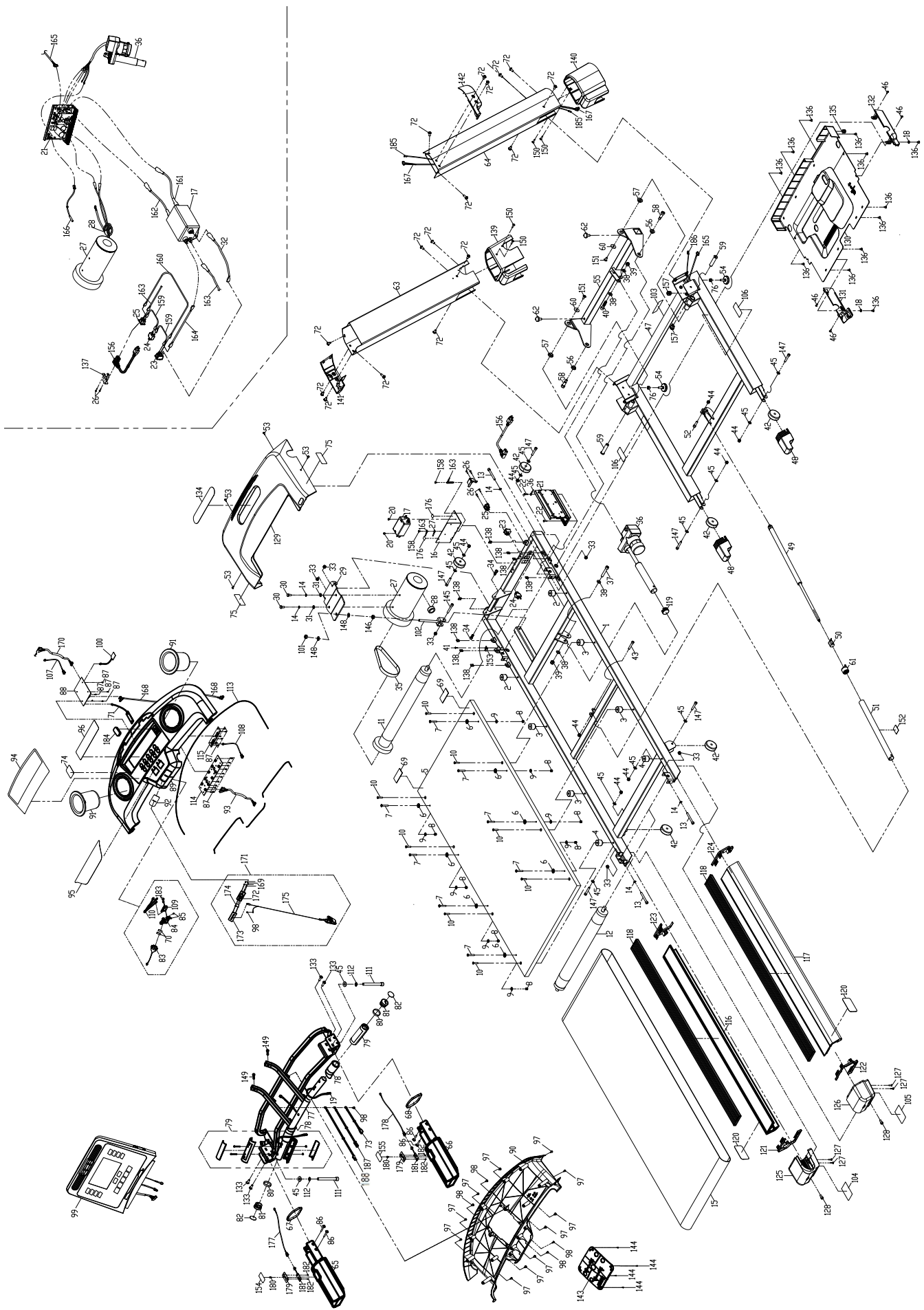
<b>Part #</b>	<b>Name</b>	<b>Qty</b>	<b>Part #</b>	<b>Name</b>	<b>Qty</b>
T401-1	Main Frame ( T )	1	T401-46	Screw M5 x 12mm L	4
T401-2	Rubber Cushion	2	T401-47	Base Frame ( T )	1
T401-3	Rubber Cushion	4	T401-48	Foot cover	2
T401-4	Rubber Cushion	2	T401-49	Gas Cylinder Assembly	1
T401-5	Running Deck	1	T401-50	Gas Cylinder clip spring	1
T401-6	Side foot rail bracket	8	T401-51	Gas Cylinder outer tube	1
T401-7	Bolt M6 x 35mm L	8	T401-52	Bolt M8 x 30mm L	1
T401-8	Nylon Locknut M6	8	T401-53	Screw M5 x 25mm L	4
T401-9	Flat Washer M6 x 16mm x 1.2 mm T	8	T401-54	Adjust foot pad	2
T401-10	Bolt M6 x 30mm L	8	T401-55	Incline Frame ( T )	1
T401-11	Front Running Belt Roller	1	T401-56	Incline frame bushing (small)	2
T401-12	Rear Running Belt Roller	1	T401-57	Incline frame bushing (big)	2
T401-13	Bolt M8 x 70mm L	3	T401-58	Bolt O M12mm x 25mm L x 10mm	2
T401-14	Spring Flat Washer M8	5	T401-59	Bolt M15 x 61.9mm L	2
T401-15	Running Belt 508mm x 3230mm (TF)	1	T401-60	Flat Washer M8 x 28mm x 1.5mm T	2
T401-16	Inductor bracket	1	T401-61	Cylinder outer plastic cover	1
T401-17	Filter	1	T401-62	Rubber pad for Incline motor	2
T401-18	Washer M5 x 15mm x 1.2mm T	2	T401-63	Left Upright Post ( T )	1
T401-19	Hand Pulse Sensor Wire	1	T401-64	Right Upright Post ( T )	1
T401-20	Screw M4 x 8mm L	2	T401-65	Left foam arm	1
T401-21	Lower Control Board Assembly (SR)	1	T401-66	Right foam arm	1
T401-22	Screw M4 x 20mm L	2	T401-67	Left arm decoration ring	1
T401-23	On/Off Switch	1	T401-68	Right arm decoration ring	1
T401-24	Circuit Breaker Module	1	T401-69	Foam	2
T401-25	Power Socket	1	T401-70	Foam	2
T401-26	Screw M4 x 12mm	4	T401-71	Antistatic Board	1
T401-27	Driver Motor DC 3.0hp (TR)	1	T401-72	Bolt M8 x 16mm L	16
T401-28	Ferite Core	1	T401-73	Connect Cable - Earthing	1
T401-29	Motor bracket	1	T401-74	Warning label	1
T401-30	Bolt M8 x 16mm L	2	T401-75	Warning label	2
T401-31	Flat Washer M8 x 16mm x 1.2mm T	2	T401-76	NUT 3/8"-16	2
T401-32	Connect Cable (Black)	1	T401-77	Console Support & Handlebar ( T )	1
T401-33	Nylon Locknut M8	6	T401-78	Hand grip	2
T401-34	Bolt M8 x 25mm L	2	T401-79	Hand Pulse Sensor	2
T401-35	Pulley Belt - Ribbed 508J (HS)	1	T401-80	Aluminum cover	2
T401-36	Incline Motor - Power (JS)	1	T401-81	Hand pulse cover	2
T401-37	Bolt M10 x 60mm L	1	T401-82	Sticker	2
T401-38	Flat Washer M10 x 21mm x 2.0mm T	4	T401-83	Mechanical safe key	1
T401-39	Nylon Locknut M10 X 1.5P	2	T401-84	Safe Key bracket	1
T401-40	Bolt M10 x 45mm L	1	T401-85	Screw M3 x 8mm L	2
T401-41	Screw #6-32 x 12mm L	1	T401-86	Bolt M6 x 35mm L (#175)	4
T401-42	Moving Wheel	6	T401-87	Screw M2.6 x 8mm L	20
T401-43	Bolt M8 x 45mm L	1	T401-88	Break-out board	1
T401-44	Nylon Locknut M8 x 1.25P	8	T401-89	Console base cover - top	1
T401-45	Flat Washer M8 x 16mm x 1.2mm T	14	T401-90	Console base cover - bottom	1

## PARTS LIST 2 of 2

<u>Part #</u>	<u>Name</u>	<u>Qty</u>	<u>Part #</u>	<u>Name</u>	<u>Qty</u>
T401-91	Water Bottle Holder	2	T401-138	U shape clip	8
T401-92	Safe key sticker	1	T401-139	Left upright post cover - Upper	1
T401-93	Quick button connect cable	1	T401-140	Right upright post cover - Upper	1
T401-94	Quick button overlay	1	T401-141	Console base cover - left	1
T401-95	Start&stop button overlay	1	T401-142	Console base cover - right	1
T401-96	Anti slip rubber sticker	1	T401-143	Safe Key Assembly	1
T401-97	Screw M4 x 15mm L	11	T401-144	Screw 4mm x 12mm L	4
T401-98	Screw M5 x 12mm L	6	T401-145	Bolt M8 x 50mm L	1
T401-99	Console	1	T401-146	Nut M10 x 1.5P	1
T401-100	Receiver built-in	1	T401-147	Bolt M8 x 40mm L	6
T401-101	Nut M10	1	T401-148	Flat Washer M10 x 21mm x 2.0mm	2
T401-102	Belt adjustment Bracket	1	T401-149	Bolt M6 x 35mm L	2
T401-103	Electric warning label	1	T401-150	Screw M5 x 0.8mm x 20mm L	4
T401-104	Drop warning label	1	T401-151	Bolt M8 x 15mm L	2
T401-105	Drop instruction label	1	T401-152	Cylinder lock & release sticker	1
T401-106	Warning label	2	T401-153	Sensor bracket	1
T401-107	Console cable- upper	1	T401-154	Arm button overlay / Incline	1
T401-108	START/STOP button cable	1	T401-155	Arm button overlay / Speed	1
T401-109	Safety Key Limit Switch	1	T401-156	Power Cable	1
T401-110	Cable For Safety Key Limit Switch	1	T401-157	Cable Grommet	2
T401-111	Bolt M8 x 100mm L	2	T401-158	Screw 5mm x 16mm L	2
T401-112	Spring Washer M8	2	T401-159	Connect Cable (Black)	2
T401-113	PVC Strip	1	T401-160	Connect Cable (Red)	1
T401-114	Button PC board	1	T401-161	Connect Cable (Red)	1
T401-115	Button PC board	1	T401-162	Connect Cable (Black)	1
T401-116	Left side rail assembly	1	T401-163	Connect Cable	2
T401-117	Right side rail assembly	1	T401-164	Connect Cable (Red)	1
T401-118	Aluminum rail	2	T401-165	Main Cable - Lower	1
T401-119	End Cover	1	T401-166	Speed Sensor Wire	1
T401-120	Side rail sticker (T400)	2	T401-167	Main Cable - Mid	1
T401-121	Left side rail ring (rear)	1	T401-168	Main Cable - Upper	1
T401-122	Right side rail ring (rear)	1	T401-169	Screw M2 x 5mm L	4
T401-123	Left side rail ring (front)	1	T401-170	Console cable- lower	1
T401-124	Right side rail ring (front)	1	T401-171	Safe key assembly (#183)	1
T401-125	Left rail cover (rear)	1	T401-172	Safe key - Upper (Yellow) (#184)	1
T401-126	Right rail cover (rear)	1	T401-173	Safe key - Top (Red) (#185)	1
T401-127	Screw M4 x 16mm L	4	T401-174	Safe key board (#186)	1
T401-128	Bolt M8 x 16mm L	2	T401-175	Safe key clip + cotton string (#187)	1
T401-129	Motor cover - Top	1	T401-176	Rounding sticker	2
T401-130	Motor cover - Bottom	1	T401-177	Incline key connect cable	1
T401-131	Motor cover - Left	1	T401-178	Speed key connect cable	1
T401-132	Motor cover - Right	1	T401-179	Arm button plastic board	2
T401-133	Bolt M8 x 6mm x 18.5mm L	4	T401-180	Screw M4 x 10mm L	2
T401-134	Motor cover sticker	1	T401-181	Arm button PC board	2
T401-135	Power Cable Clip	1	T401-182	Screw M2.3 x 6mm L	4
T401-136	Screw M5 x 10mm L	12	T401-183	Screw M3 x 16mm L (#172)	2
T401-137	Power bracket cover	1	T401-184	USB cover	1
			T401-185	Ground wire female - post 1200mm	1
			T401-186	Ground wire male - lower 700mm	1
			T401-187	Ground wire female - dashboard up 300mm	1
			T401-188	Ground wire male - dashboard down 600mm	1



# PARTS EXPLODED VIEW



## PRODUCT WARRANTY

### VALID FOR USA AND CANADA ONLY

(Please consult with your local distributor for warranty info specific to your region).

BODYCRAFT warrants its products to be free of defects in materials and workmanship for the time stated below to the original purchaser.

**Register your product within 30 days of purchase at [www.bodycraft.com](http://www.bodycraft.com) or call 800-990-5556**

#### **This warranty is valid only in accordance with the following conditions:**

The warranty begins on the original purchase date at retail and ends when the original owner disposes of it, either through sale, gift, or otherwise. This warranty is not transferable and is only valid to the original purchaser.

This warranty is available only for purchases made within and the original purchaser currently residing in the USA and Canada. Please consult with your local distributor for warranty information specific to your region. The product must have been registered within 30 days of the original purchase date or supply proof of purchase to validate warranty (original sales invoice).

This warranty does not extend to any losses or damages due to accident, misuse, abuse, neglect, negligence, unauthorized modification or alteration, use beyond rated capacity, unsuitable power sources or environmental conditions, water, tampering, cosmetic damages, or improper installation, handling, repair, maintenance, or application, or lack of proper maintenance.

If the item exhibits such a defect, BODYCRAFT will, at its option, repair or replace it without cost for parts. Shipping and handling charges may apply. (BODYCRAFT may require return of the part(s) or photographic evidence of the damaged part(s) prior to replacement.) Serial number is required. Parts repaired or replaced will be warranted for the remainder of the original warranty period only.

#### **Residential Warranty for the T400 Treadmill:**

**Frame:** Lifetime, **Parts:** 10 years, **Display:** 3 years, **Labor:** 2 years

**Headphone Jack, HDMI, CSAFE, ETHERNET & USB Port:** 90 days **Labor:** None

#### **This warranty excludes the following:**

1. The warranty does not cover normal maintenance or labor charges unless labor terms are listed above.
2. Normal cosmetic wear on parts such as paint, seat coverings, foot rails, labels and logos.
3. Consumables such as batteries and heart rate belts that do not have a replaceable battery.
4. Eprom/Software version upgrades unless determined as necessary.
5. Any accessories not included in the original packaging.

\* This warranty is in lieu of all warranties, expressed or implied, and/or all other obligations or liabilities on our part, and we neither assume nor authorize any person to assume for us any other obligation or liability in connection with the sale of your BODYCRAFT product. Under no circumstances shall we be liable by virtue of this warranty or otherwise for damage to any person or property whatsoever for any special, indirect, incidental, secondary or consequential damage of any nature whatsoever arising out of the use or inability to use the BODYCRAFT product.

**Register your product's warranty at [www.bodycraft.com/product-registration.html](http://www.bodycraft.com/product-registration.html)**



# PRODUCT WARRANTY REGISTRATION

Thank you for purchasing a BODYCRAFT product. To validate the product warranty the fast and easy way, please go online now to <https://www.bodycraft.com/product-registration.html> and register your product. **The information you provide will never be distributed to any other individuals or agencies for any purpose.** If you prefer to mail your warranty card, have the owner of the product complete the information below and return it to BODYCRAFT within 30 days from the date of equipment installation.

**Please Note: Not registering this product will delay with authorization of service or parts to be shipped under warranty.**

To mail your warranty information, please fill in the information below and mail to: Service Dept at BODYCRAFT, 7699 Green Meadows Dr. Lewis, Center, Ohio 43035 (or save postage and register online at <https://www.bodycraft.com/product-registration.html>)

## Warranty Registration

PLEASE PROVIDE BOTH SERIAL NUMBERS BELOW.

(REQUIRED FOR WARRANTY REGISTRATION)

CONSOLE SERIAL NUMBER:

BASE SERIAL NUMBER:

Model Type: **T400 DC Home**

Date of Purchase: \_\_\_\_\_

Your First Name: \_\_\_\_\_

Your Last Name: \_\_\_\_\_

Street Address: \_\_\_\_\_

Apartment/Suite #: \_\_\_\_\_

City: \_\_\_\_\_ Stat: \_\_\_\_\_ ZIP: \_\_\_\_\_

Email Address: \_\_\_\_\_

Phone: \_\_\_\_\_

1. Where did you first learn about BODYCRAFT?

- a. Dealer                       b. Website  
 c. Advertisement           d. Referral  
 e. Current Customer         f. Other \_\_\_\_\_

2. Why did you purchase a BODYCRAFT product?

- a. Design/Appearance       b. Dealer Suggestion  
 c. Price/Value                 d. Quality Construction  
 e. Performance               f. BODYCRAFT Reputation  
 g. Other: \_\_\_\_\_

3. Please indicate your type of workout area in your home:

- a. Fitness Room               b. Master Bedroom  
 c. Guest Room                 d. Garage  
 e. Basement                   f. Family Room  
 g. Home Office                 h. Other

4. What other types of equipment does your company currently own?

- a. Treadmill                      Brand \_\_\_\_\_  
 b. Bike                              Brand \_\_\_\_\_  
 c. Elliptical                      Brand \_\_\_\_\_  
 d. Free Weights/Gym          Brand \_\_\_\_\_

5. How many people use this unit on a daily basis?

- a. 1 only                         b. 4-5  
 c. 2-3                             d. 6+

6. Do you plan to purchase more fitness equipment in the next 6-12 months?

- Yes       No

7. If you answered "yes" to question 6, what type do you plan to purchase?

- a. Treadmill                       b. Elliptical  
 c. Stationary Bike                 d. Free Weights  
 e. Gym                               f. Other \_\_\_\_\_

8. Would you recommend BODYCRAFT to other homeowners?

- Yes       No

9. You are a valued BODYCRAFT customer and your suggestions allow us to continually improve your experience. Is there anything else you would like us to know? Please explain:



800.990.5556  
SERVICE@BODYCRAFT.COM  
WWW.BODYCRAFT.COM



BODYCRAFT  
7699 GREEN MEADOWS DR.  
LEWIS CENTER, OHIO 43035