

NOTE:
Please read all instructions
carefully before using this
product

Table of Contents

Safety Notice

Important Assembly
Information

Care and Maintenance

Parts List

Warranty

Ordering Parts

Model
SM-7553

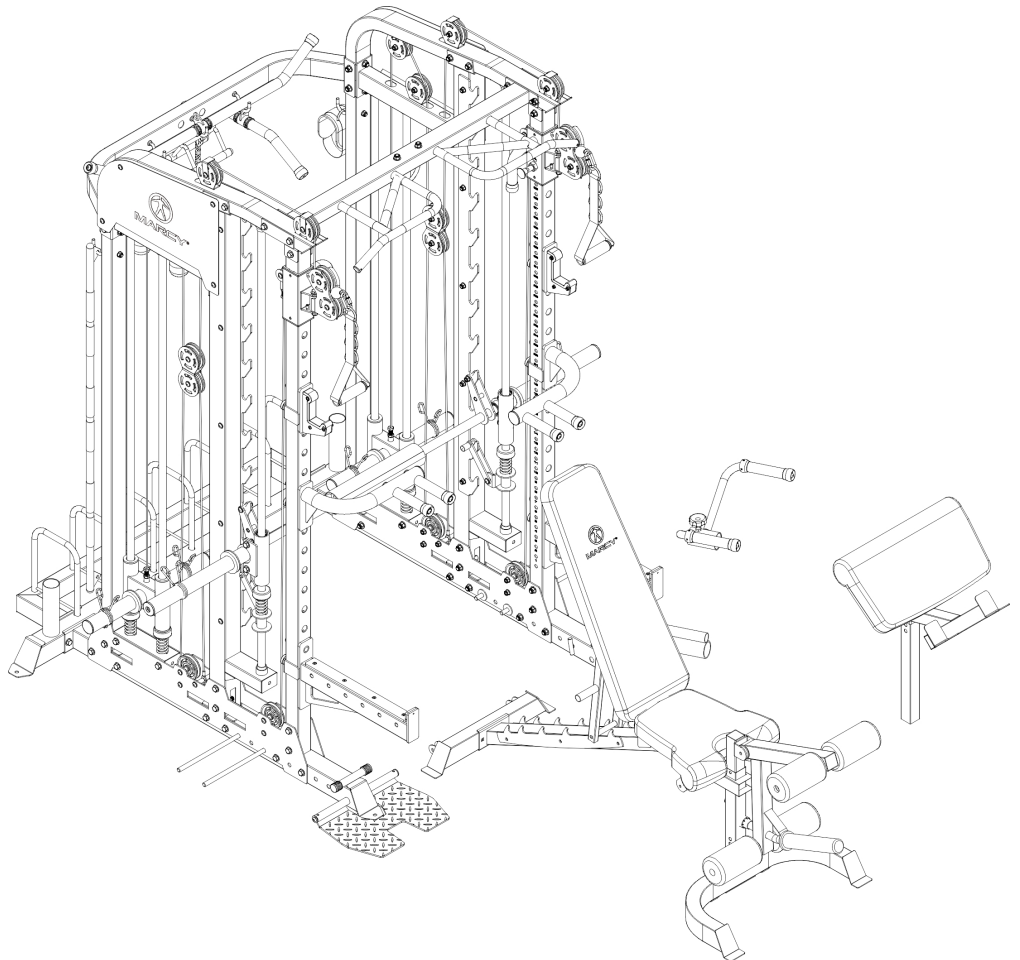
Retain This
Manual for
Reference

220801

**OWNER'S
MANUAL**

MARCY®

MARCY PRO DELUXE SMITH CAGE SM-7553



IMPORTANT: Please read this manual before commencing
assembly of this product.

IMPEX® INC.

2801 S. Towne Ave, Pomona, CA 91766

Tel: 800-999-8899

www.marcypro.com

support@impex-fitness.com

TABLE OF CONTENTS

BEFORE YOU BEGIN	1
IMPORTANT SAFETY NOTICES	2
EXERCISE GUIDELINES	3
WARNING LABEL PLACEMENT	5
FREE AND TRAINING AREA	6
IMPORTANT ASSEMBLY INFORMATION	7
WEIGHT CAPACITY AND DIMENSION	8
CARE AND MAINTANENCE	9
OPERATING NOTES	9
CAGE PARTS LIST	10
BENCH PARTS LIST	17
EXPLODED DIAGRAM - CAGE	21
EXPLODED DIAGRAM - BENCH	22
WARRANTY	23
ORDERING PARTS	23

BEFORE YOU BEGIN

Thank you for selecting MARCY PRO DELUXE SMITH CAGE SM-7553 by IMPEX® INC. For your safety and benefit, read this manual carefully before using the equipment. As a manufacturer, we are committed to providing you with complete customer satisfaction. If you have any questions, or find there are missing or damaged parts, we guarantee you complete satisfaction through direct assistance from our factory. To avoid unnecessary delays, *please call our TOLL-FREE customer service number.* Our Customer Service Agents will provide immediate assistance.

Toll-Free Customer Service Number

1-800-999-8899

Mon. – Fri. 9 a.m. – 5 p.m. PST

www.marcypro.com

support@impex-fitness.com

IMPORTANT SAFETY NOTICE

This exercise equipment is built for optimum safety. However, certain precautions apply whenever you operate a piece of exercise equipment. Be sure to read the entire manual before you assemble or operate your equipment. In particular, note the following safety precautions:

1. **Keep children and pets away from the equipment at all times. DO NOT leave children unattended in the same room with the equipment.**
2. Only one person at a time should use the equipment.
3. If the user experiences dizziness, nausea, chest pain, or any other abnormal symptoms, STOP the workout at once. CONSULT A PHYSICIAN IMMEDIATELY.
4. Position the equipment on a clear, leveled surface. DO NOT use the equipment near water or outdoors.
5. Keep hands away from all moving parts.
6. Always wear appropriate workout clothing when exercising. DO NOT wear robes or other clothing that could become caught in the equipment. Running or aerobic shoes are also required when using the equipment.
7. Use the equipment only for its intended use as described in this manual. DO NOT use attachments not recommended by the manufacturer.
8. Do not place any sharp object around the equipment.
9. Disabled persons should not use the equipment.
10. Before using the equipment to exercise, always do stretching exercises to properly warm up.
11. Never operate the equipment if the equipment is not functioning properly.
12. A spotter is recommended during exercise.
13. **This equipment is designed and intended for home and consumer use only, not for commercial use.**

WARNING: BEFORE BEGINNING ANY EXERCISE PROGRAM, CONSULT YOUR PHYSICIAN. THIS IS ESPECIALLY IMPORTANT FOR INDIVIDUALS OVER THE AGE OF 35 OR PERSONS WITH PRE-EXISTING HEALTH PROBLEMS. READ ALL INSTRUCTIONS BEFORE USING ANY FITNESS EQUIPMENT. IMPEX INC. ASSUMES NO RESPONSIBILITY FOR PERSONAL INJURY OR PROPERTY DAMAGE SUSTAINED BY OR THROUGH THE USE OF THIS PRODUCT.

SAVE THESE INSTRUCTIONS.

EXERCISE GUIDELINES

Building Muscle and Gaining Weight

Unlike aerobic exercise, which emphasizes endurance training, anaerobic exercise focuses on strength training. A gradual weight gain can occur while building the size and strength of muscles. While developing muscle mass, your body adapts to the stress placed upon it. You can modify your diet to include foods such as meat, fish and vegetables. These foods help muscles recover and replenish important nutrients after a strenuous workout.

Muscle Strength and Endurance

To achieve the greatest benefit from exercise, it is important to develop an exercise program that allows you to work all of the major muscle groups equally.

To increase muscle strength, follow this principle:

Increasing resistance and maintaining the number of repetitions of an exercise results in increased muscle strength.

To tone your body, follow this principle: Decreasing resistance plus increasing the number of repetitions of an exercise results in increased body tone.

Once you feel comfortable with an exercise, you can change the resistance, the number of repetitions, or the speed at which you do the exercise. It is not necessary to change all three variables. For example, let's say that you are training at 23 kg (50 lb.) and performing the exercise 10 times in 3 minutes. When this becomes too easy, you may decide to move up to lifting 27 kg (60 lb.) for the same number of repetitions in the same amount of time. Lifting more weights fewer times most often develops muscle strength. To gain both muscle strength and endurance, it is recommended that you perform each exercise 15 to 20 reps per set.

Training Intensity

How hard you begin to train depends on your overall level of fitness. The soreness you experienced can be lessened by decreasing the load you place on your muscles and by performing fewer sets. To avoid injury, you should gradually work into an exercise program and set the load to your individual fitness level. The load should increase as your fitness level increases.

Muscle soreness is common, especially when you first start exercising. If you are painfully sore for a long time, it may be time to change your program. Eventually, your muscle system will become accustomed to the stress and strain placed on it.

Beginning a Strength Building Program

Warming Up

To begin strength training, it is important to stretch and perform light exercise for 5 to 10 minutes. This helps prepare the body for more strenuous exercise by increasing circulation, raising your body temperature and developing more oxygen to your muscles.

Workout

For each workout, to keep in mind that muscle soreness that lasts for a long period is not desirable and may mean that injury has occurred.

Cool Down

At the end of each workout, perform slow stretching exercises for 5 to 10 minutes. Ease into each stretch only going as far as you can. This stage allows your muscles to wind down after training.

To provide a total workout program it is also recommended that 2 to 3 days of aerobic exercise is performed in addition to the strength training.

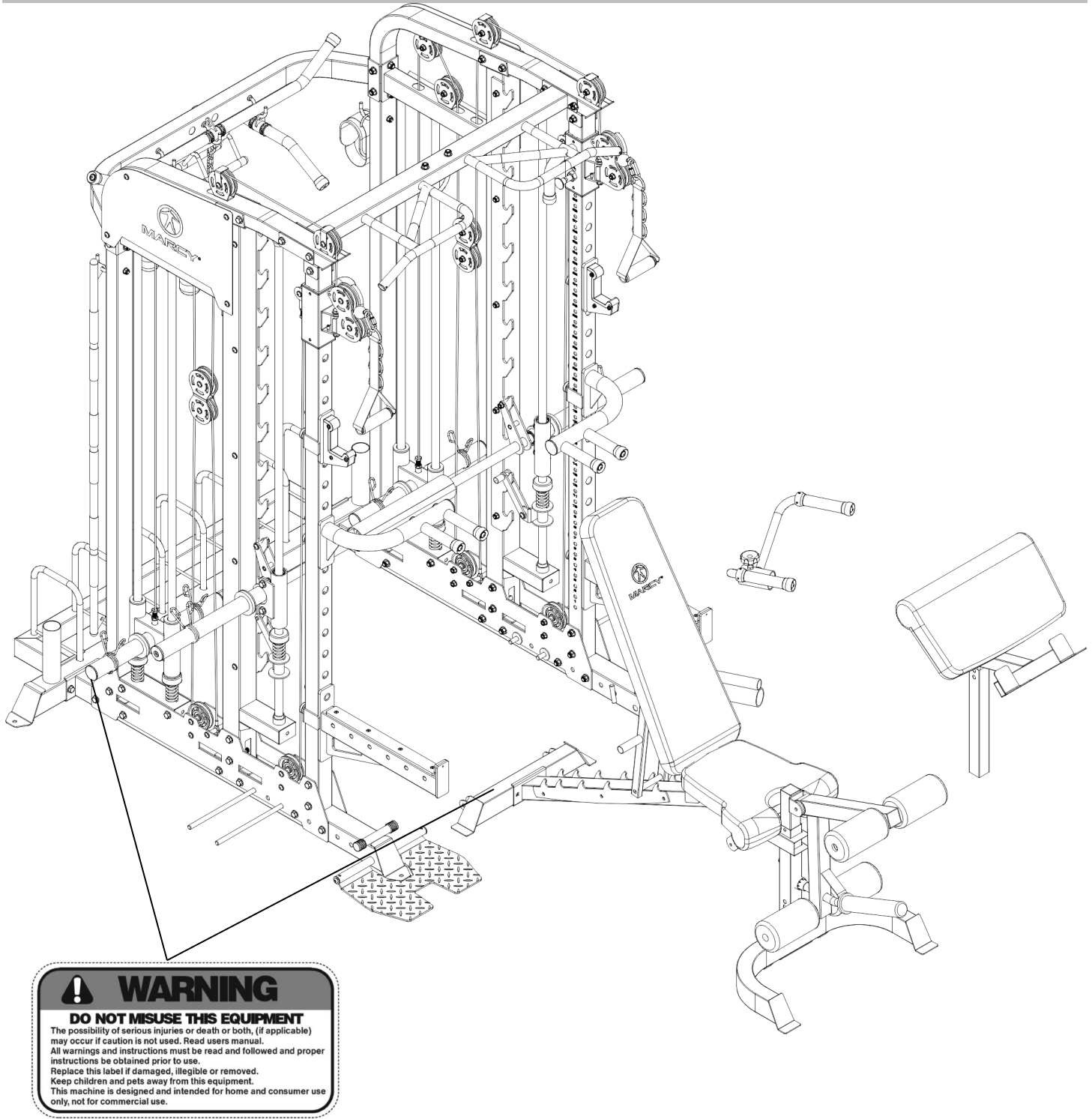
Drinking Water

For the body to function properly, it must be properly hydrated. If you are exercising, you should increase your fluid intake. The reason for this is that the water you take in will leave your system through the sweating mechanism that cools your body during exercise. The water you lose through exercise must be replaced so that the muscles can recover properly.

Rest Day

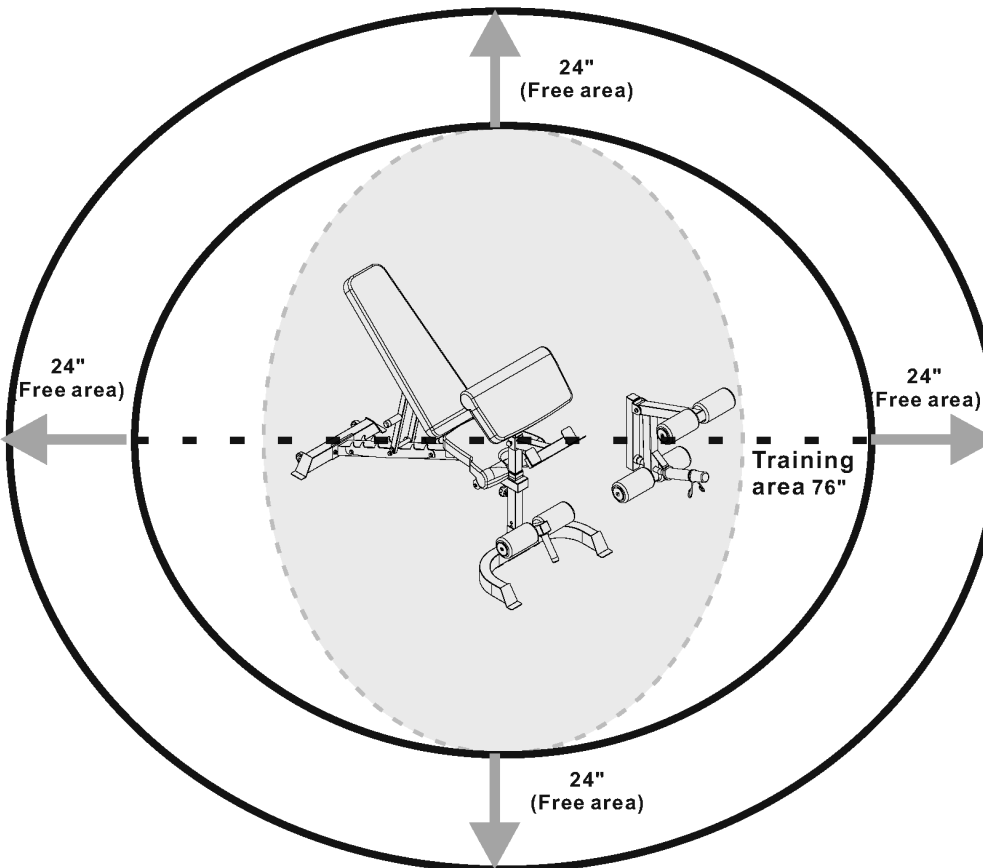
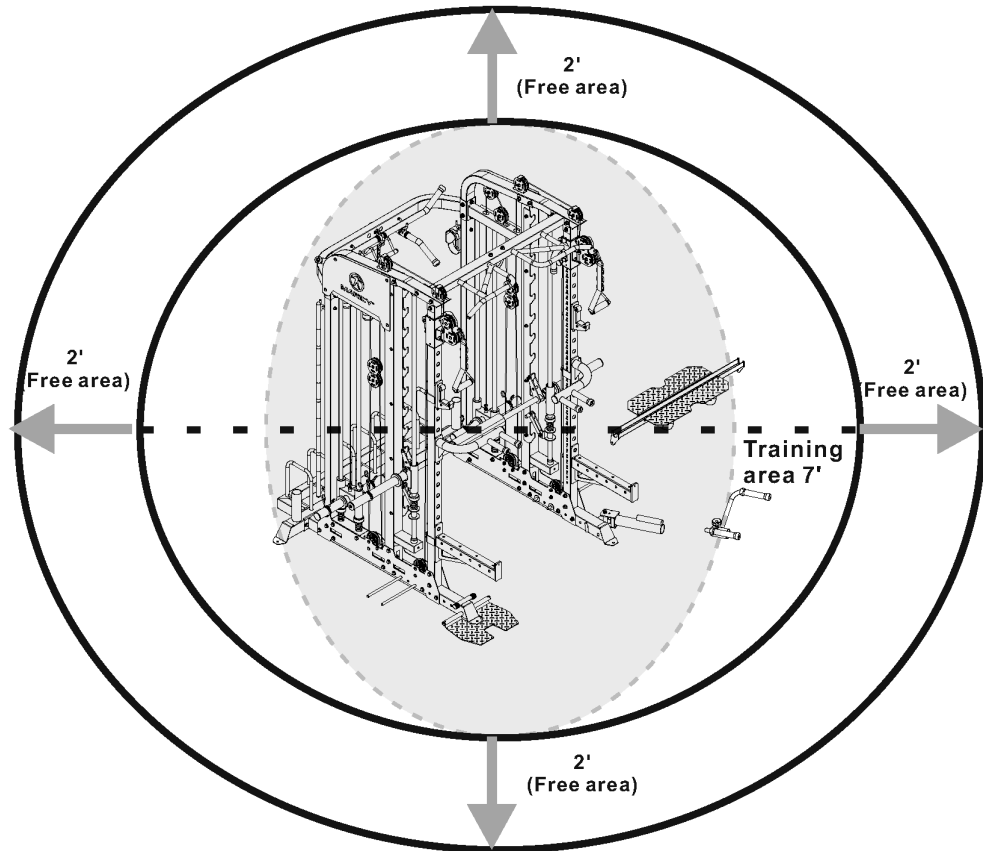
Although you may not feel like doing it, taking a rest day at least once a week is important because it gives your body a chance to heal itself. Continuously working your muscles will result in over-training, which will not benefit you in the long run.

WARNING LABEL PLACEMENT



The warning labels shown here have been placed on the Cross Brace, Rear Stabilizer, and Upper Frame. If the labels are missing or illegible, please call customer service at 1-800-999-8899 for replacements. Apply the labels in the location shown.

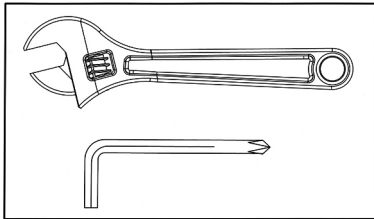
FREE AND TRAINING AREA



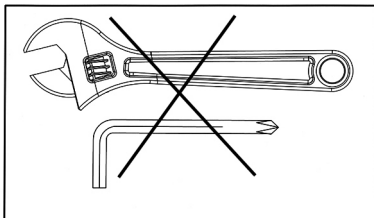
IMPORTANT ASSEMBLY INFORMATION

- ❖ Tools required for assembling the bench: Two adjustable Wrenches and Allen wrenches.
- ❖ NOTE: It is strongly recommended that this equipment be assembled by two or more people to avoid possible injury.
- ❖ Ensure **Carriage Bolts** are inserted through the **SQUARE holes** on components that need to be assembled. Attach washer only to end of the Carriage Bolt.
- ❖ Use **Allen Bolts or Hex Bolts** inserted through the **ROUND hole** on components that need to be assembled.
- ❖ Always wait until all bolts are assembled onto the bench before tightening the bolts. Do not tighten each bolt right after it is installed

Fasten Nuts and Bolts



Securely tighten all nuts and bolts after all components have been assembled in current and previous steps.
NOTE: Do not over-tighten any component with pivoting function.
Make sure all pivoting components are able to move freely.



Do not tighten all nuts and bolts in this step.

- ❖ **Inspect and ensure all bolts and Nuts are fastened after the equipment is completely assembled.**

Assemble with correct Hardware Pack

- ❖ **Only use the hardware packs marked “For Smith Machine” to assemble Smith Machine.**
- ❖ **Only use the hardware packs marked “For Bench” to assemble Bench.**

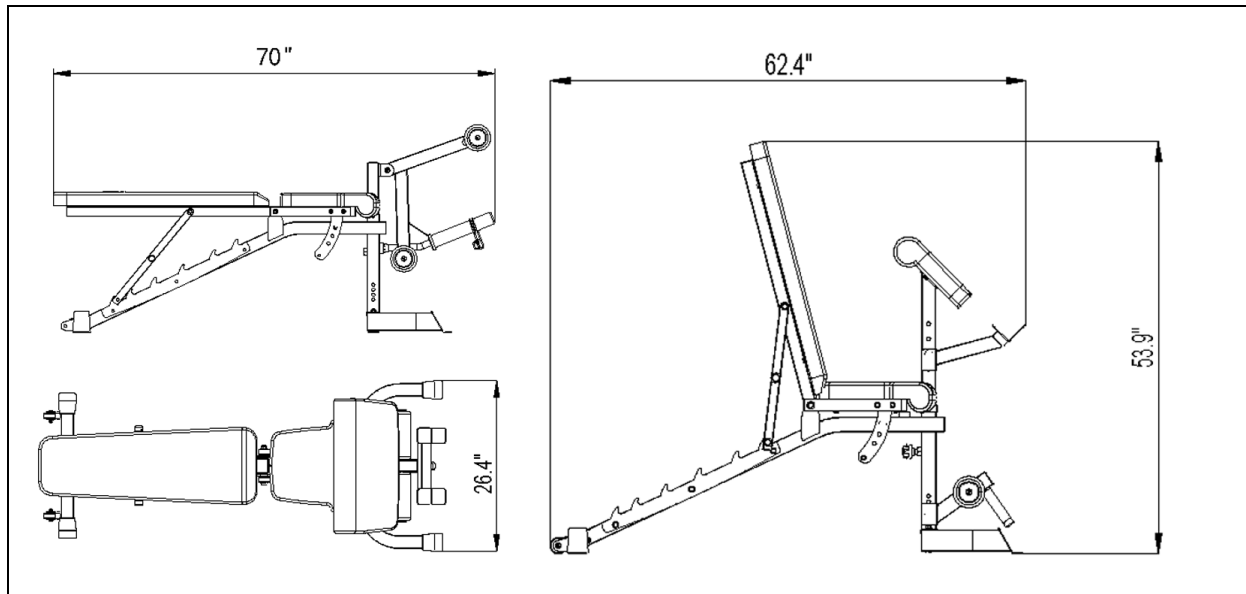
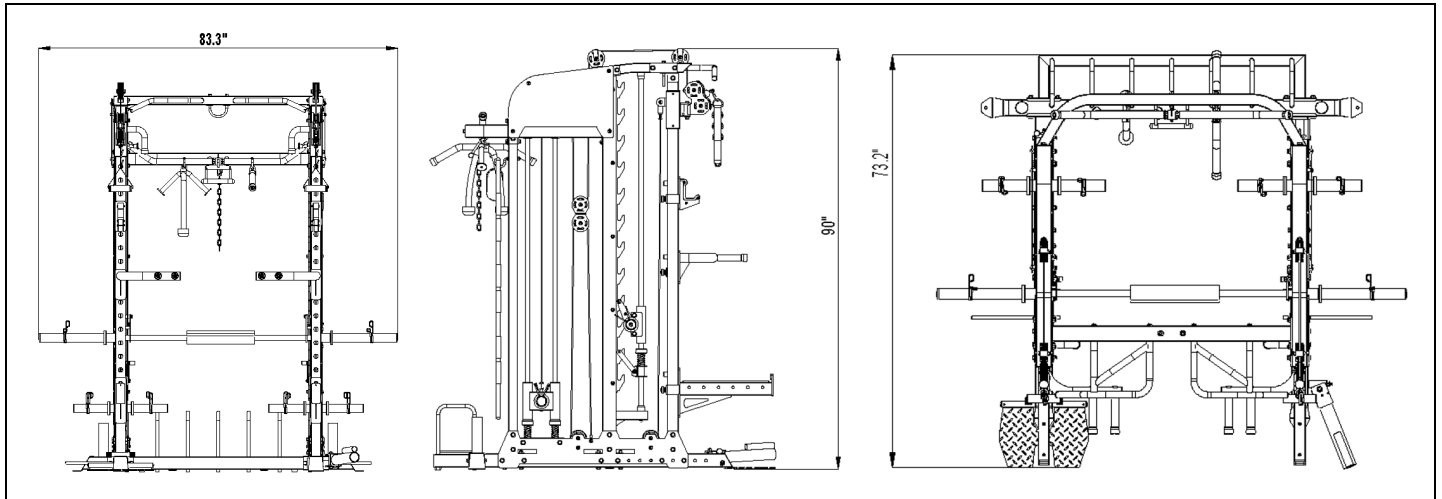
Tools

Tools required for assembling this equipment: Allen Wrenches (provided by manufacturer), and Adjustable Wrench, or Socket Wrench, or Ratchet Wrench.

NOTE: It is strongly recommended that this machine be assembled and moved by two or more people to avoid possible injury.

WEIGHT CAPACITY AND DIMENSION

1. Maximum user weight: 300 lbs.
2. Maximum weight on Sliding Weight Trolley: 300 lbs (150lbs on each side)
3. Maximum weight on Safety Bar Catch Brace and Bar catches: 300 lbs
4. Maximum weight on Weight Bar: 300 lbs
5. Cage assembled dimensions: 73.2"x83.3"x90"
6. Bench assembled dimensions: 70"x26.4"x53.9"



CARE AND MAINTENANCE

1. Lubricate moving parts with WD-40 or light oil periodically.
2. Inspect and tighten all parts before using the equipment.
3. The equipment can be cleaned using a damp cloth and mild non-abrasive detergent. DO NOT use solvents.
4. Examine the equipment regularly for signs of damage or wear.
5. Replace any defective components immediately and/or keep the equipment out of use until repair.
6. **Failure to examine regularly may affect the safety level of the equipment.**

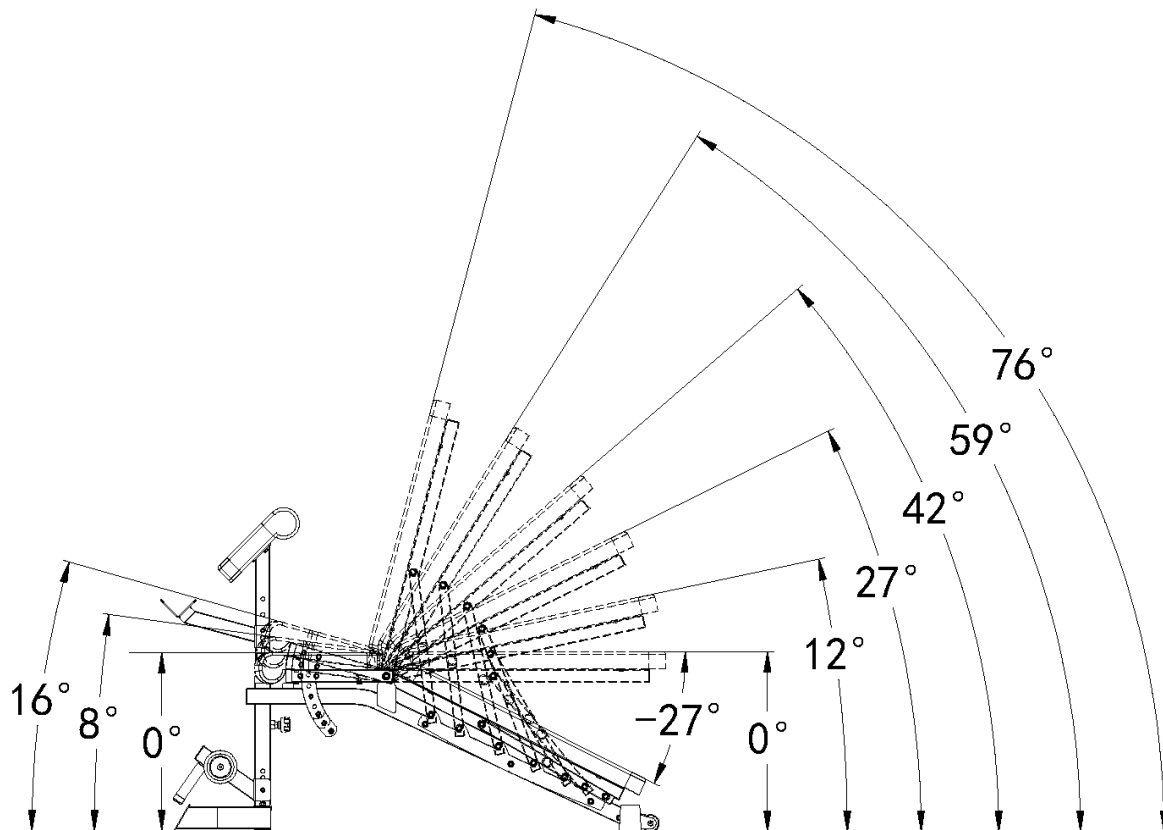
OPERATION NOTES

This equipment should be placed on flat surface. The incline or decline of surface should be limited to 3% or less for best performance and safety.

Bench Backrest Adjustment Angles

Backrest adjustment angle ranges from -27° to 76° .

Seat pad adjustment angle ranges from 0° to 16°



SM-7553 CAGE PARTS LIST

PARTS NO.	DESCRIPTION	SIZE	QTY
1	Right Base Frame		1
2	Left Base Frame		1
3	Left Upper Frame		1
4	Right Upper Frame		1
5	Left Middle Vertical Beam		1
6	Right Middle Vertical Beam		1
7	Left Cable Pulley Assembly		1
8	Right Cable Pulley Assembly		1
9	Upper Cross Brace		1
10	Multi-Grip Pullup Rack		1
11	Rear Base Frame		1
12	Double Pulley Assembly		2
13	Food plate		1
14	Left Pullup Bar		1
15	Righ Pullup Bar		1
16	Trolley Guide Rod		4
17	U-shape hook		1
18	Front Vertical Beam		2
19	Safety Stop Frame		2
20	Rear Vertical Beam		2

21	Guide Rod	Ø1"×72"	2
22	Guide Rod Sleeve		2
23	Weight Bar		1
24	Left Upper Rear Support		1
25	Right Upper Rear Support		1
26	Cross Brace		1
27	Trolley Base Frame		2
28	Weight Trolley		2
29	J-shape hook		5
30	Leg Press Frame		1
31	Double Pulley Bracket		2
32	Removable Anchor		4
33	Left Dip Handle		1
34	Right Dip Handle		1
35	T-Locking Bar		2
36	V Bar		1
37	Weight Plate Divider		7
38	Smith Bar Olympic Sleeve		2
39	Foam Roller Frame		1
40	Food plate Tube		1
41	Sawtooth Safety Catch		2
42	Long Bar		1
43	Landmine Attachment Handle		1

44	Left Safety Catch		1
45	Right Safety Catch		1
46	Left Bar Catch		1
47	Right Bar Catch		1
48	Hook Attachment Bracket		2
49	Lat Bar		1
50	Short Bar Sleeve		1
51	Foam Roller Tube		1
52	Lower Safety Stop Hook		2
53	Lower Safety Stop Frame		2
54	Cable Retainer		4
55	Swivel Attachment		1
56	Landmine Attachment		1
57	Cable adjusting frame		2
58	Left Logo Decorative plate		1
59	Right Logo Decorative plate		1
60	Pulley Bushing	Ø1/2"×Ø3/8"×1"	8
61	Pulley Bushing	Ø1/2"×Ø3/8"×1 3/8"	4
62	Base Frame Bracket		4
63	Bracket	2" × 6"	2
64	Lock Pin/Red	Ø 1 3/8"×Ø 3/8"×2 3/4"	6
65	Lock Pin/Red	Ø 1 3/8"×Ø 1/2"×4"	1
66	Lock Knob	M10×2"	2

67	Lock Knob	M10×1"	1
68	Guide Rubber Bumper	Ø 1 5/8"×Ø 1"	4
69	Guide Rubber Bumper	Ø 1 1/8"×Ø 1"×1 1/8"	4
70	Bar End Cap	Ø2"	2
71	V Handle		1
72	Ankle Strap		1
73	Adjustable Single Handle		2
74	Spring		6
75	Chain		2
76	Locking Carabiner Clip		6
77	Triceps Rope		1
78	Pulley	Ø 3 1/2"	20
79	Guide Rod Stopper		6
80	Rubber Bumper	Ø3 1/8" × Ø2"	6
81	Foam Roller End Cap		2
82	Cable Pulley Locking Pin	M18×3 1/8"	2
83	Locking Pin	φ8 ×1 1/2"	1
84	Spring Clip	φ2"	6
85	End Cap	Ø1"×Ø1 1/8"	2
86	Cable Pulley Assembly End Cap	3"×3"	4
87	End Cap	Ø2"×2	2
88	End Cap	Ø2"×2.5	2
89	End Cap	2"×2"	1

90	Weight Trolley Bumper		2
91	Bar Clip		8
92	Bar Catch Rubber Bumper		2
93	End Cap/Red	Ø5/8"	2
94	Rubber Bumper	Ø3/8"× 1/2"	4
95	Safety Catch Rubber Bumper	1 ¾" x 18 ½"	2
96	Safety Catch Rubber Bumper	1 ⅛" x 2"	2
97	End Cap	Ø1"	6
98	Nylon Bushing	φ2"×φ1"	8
99	Bar End Cap	Ø1"	12
100	Bar Front Cap	Ø1"	2
101	End Cup	Ø1"	4
102	Grip	Ø1"× 5"	6
103	Grip	Ø1"× 7 7/8"	2
104	Grip	Ø1"× 9 1/2"	2
105	Grip	Ø1"× 19"	2
106	Linear Bearing		4
107	Bearing	61905-Z	4
108	Bearing	6001-2Z	4
109	Large Swivel Attachment Bushing		2
110	Small Swivel Attachment Bushing		2
111	Allen Bolt	M6 × ¾"	10
112	Phillips Screw	M6 × 5/8"	2

113	Rivet		8
114	Allen Bolt/Galvanized		12
115	Spring Washer	M10	12
116	Bushing	Ø 3/4"×Ø 3/8"×1"	2
117	Allen Bolt	M10× 2"	6
118	Washer	Ø 3/4"	111
119	Aircraft Nut	M10	47
120	Allen Bolt	M6× 1 5/8"	6
121	Washer	Ø 1/2"	12
122	Cap nut	M6	6
123	Hex Bolt	M12 × 4"	32
124	Hex Bolt	M12 × 3 3/4"	20
125	Hex Bolt	M12 × 3 1/2"	3
126	Hex Bolt	M12 × 3 3/8"	2
127	Hex Bolt	M12 × 3 "	4
128	Hex Bolt	M12 × 1 1/8"	4
129	Allen Bolt	M10 × 3 3/4"	20
130	Allen Bolt	M10 × 1 3/4"	14
131	Allen Bolt	M10 × 1 1/2"	2
132	Allen Bolt	M10 × 1"	12
133	Allen Bolt	M10 × 1/2"	8
134	Washer	Ø1"	136
135	Spring Washer	Ø3/4"	14

136	Aircraft Nut	M12	67
137	Allen Bolt	M10×3 "	2
138	Allen Bolt	M10 × 1½"	2
139	Foam Roller		2
140	Barbell Pad Cover		1
141	Allen Screw	M6 × ¼"	4
142	Washer	Ø1"× Ø¾"	2
143	Barbell Pad		1
144	O-ring	Ø1 1/8"	4
145	O-ring	Ø1 1/2"	4
146	Upper Cable	220"	2
147	Adjustable Cable	133.8"	2
148	C-Clip		4
149	Multi-Wrench	17×19	2

SM-7553 BENCH PARTS LIST

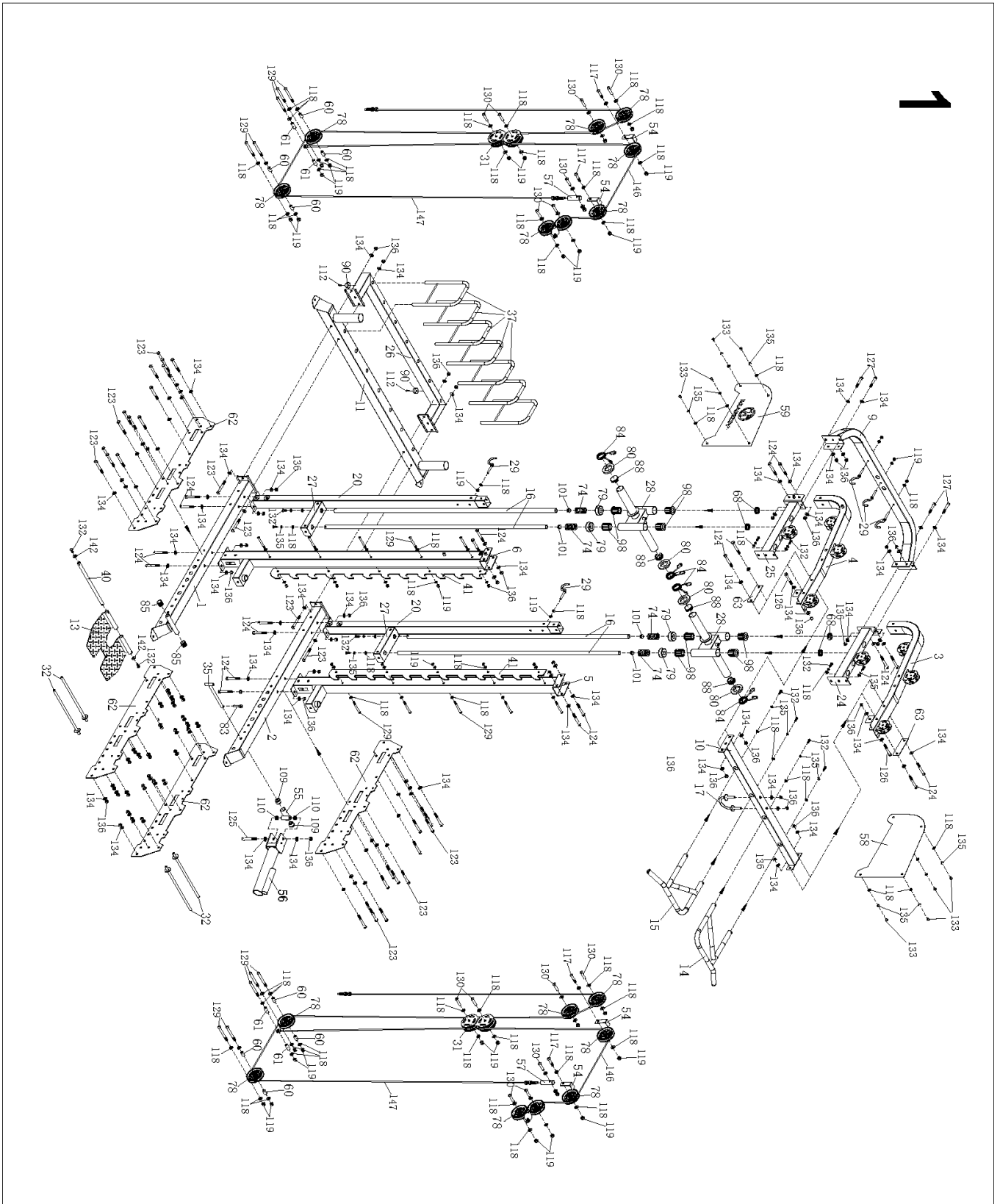
PARTS NO.	DESCRIPTION	SIZE	QTY
1	Main Frame		1
2	Rear Stabilizer		1
3	Front Stabilizer		1
4	Seat Support		1
5	Backrest Support		1
6	Incline Support		2
7	Arm Curl Support		1
8	Arm Curl Rack		1
9	Ankle Support		1
10	Seat Incline Support		2
11	Foam Roller Tube		3
12	Incline Adjustment Base		2
13	Bracket	5 1/2"×4 3/8"	2
14	Hex Bolt	M12×6 1/4"	1
15	Hex Bolt	M12×6"	2
16	Hex Bolt	M10×3 3/4"	3
17	Carriage Bolt	M10×3 1/2"	2
18	Carriage Bolt	M10×2 3/4"	2
19	Hex Bolt	M8×4"	1
20	Hex Bolt	M8×2 1/8"	4
21	Hex Bolt	M8×1 3/8"	4

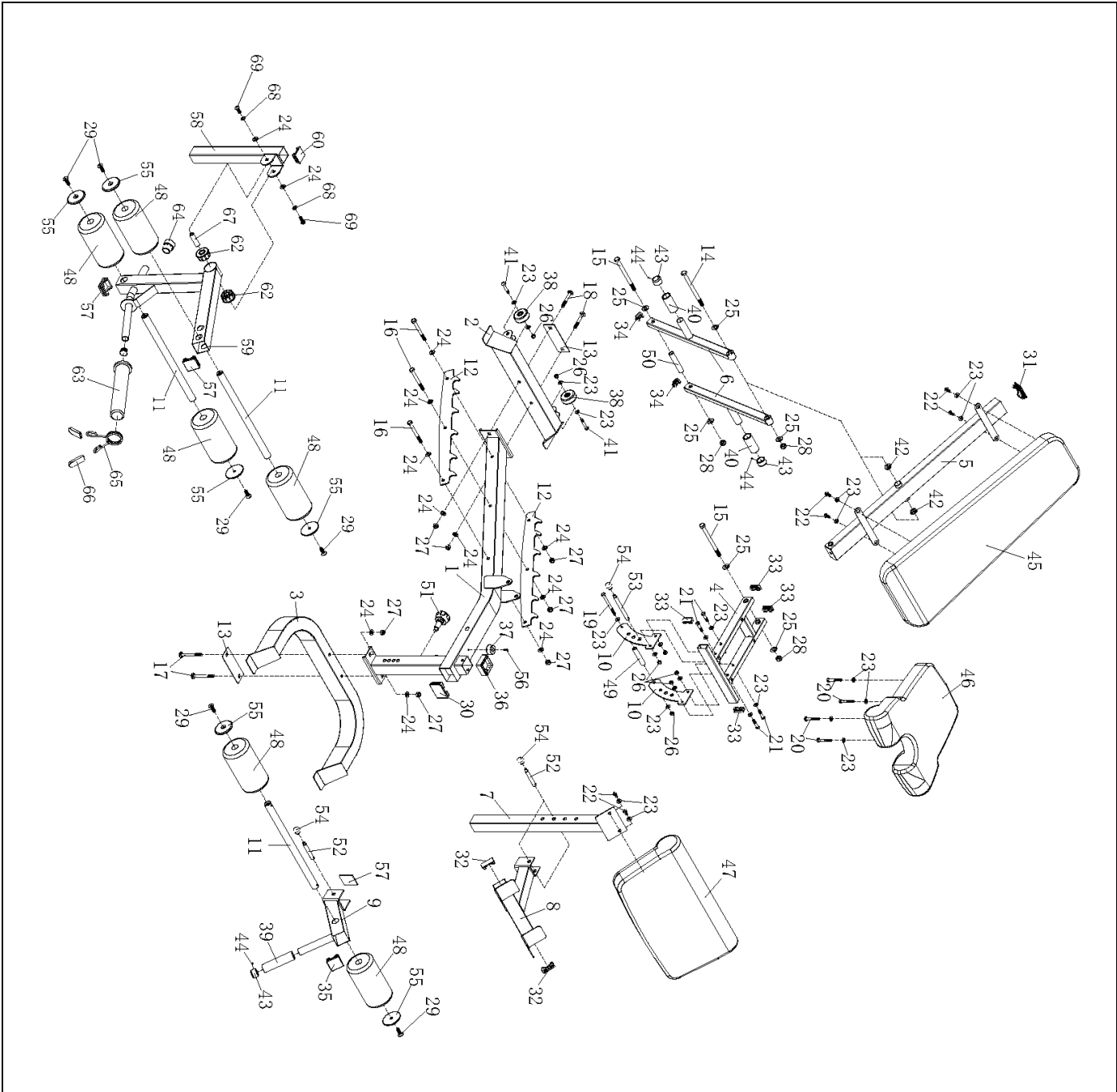
22	Hex Bolt	M8×3/4"	6
23	Washer	Φ5/8"	24
24	Washer	φ3/4"	12
25	Washer	φ1"	6
26	Aircraft Nut	M8	2
27	Aircraft Nut	M10	7
28	Aircraft Nut	M12	3
29	Allen Bolt	M10×1 1/8"	6
30	End Cap	2"×2 3/4"	1
31	End Cap	1 1/2"×2 3/8"	1
32	End Cap	1"×2"	2
33	End Cap	3/4"×1 1/2"	4
34	End Cap	3/4"×1 1/8"	2
35	End Cap	2"	1
36	Sleeve	2"×1 3/4"	1
37	Bumper		1
38	Transport Wheel	φ2"	2
39	Ankle Support Grip	φ1"×4 3/4"	1
40	Incline Adjustment Base Grip	φ1"×2 3/4"	2
41	Pan Head Allen Bolt	M8×1 1/4"	2
42	Bushing	φ1"	2
43	Aluminum End Cap		3
44	Allen Screw	M5×1/8"	3

45	Backrest Pad		1
46	Seat Pad		1
47	Arm Curl Pad		1
48	Foam Roller		6
49	Spacer	$\phi 5/8" \times \phi 3/8" \times 3 \ 1/8"$	1
50	Spacer	$\phi 5/8" \times \phi 1/2" \times 3 \ 5/8"$	1
51	Locking Knob		1
52	Locking Pin	$\phi 1/2" \times 3 \ 3/8" \times M10$	1
53	Locking Pin		1
54	M8 Ball Cap		2
55	Foam Roller Cap		6
56	Pan Head Phillips Screw		1
57	End Cap	2"×2"	2
58	Leg Developer Holder		1
59	Leg Developer		1
60	End Cap	1 3/4"×1 3/4"	1
61	End Cap	Ø1"	1
62	Bushing	$\phi 5/8" \times \phi 1/2" \times 3 \ 5/8"$	2
63	Sleeve	Ø2"×8"	1
64	Leg Developer Rubber Bumper		1
65	Spring Collar	Ø2"	1
66	Spring Collar Sleeve		2
67	Leg Developer Axle		1

68	Spring Washer	Ø 3/4"	2
69	Allen Bolt	M10×3/4"	2

SM-7553 SMITH MACHINE EXPLODED DIAGRAM





IMPEX[®] INC.

LIMITED WARRANTY

IMPEX Inc. ("IMPEX[®]") warrants this product to be free from defects in workmanship and material, under normal use and service conditions, for a period of two years on the Frame from the date of purchase. This warranty extends only to the original purchaser. IMPEX's obligation under this Warranty is limited to replacing or repairing, at IMPEX's option.

All returns must be pre-authorized by IMPEX. Pre-authorization may be obtained by calling IMPEX Customer Service Department at 1-800-999-8899. All freights on products returned to IMPEX must be prepaid by the customer. This warranty does not extend to any product or damage to a product caused by or attributable to freight damage, abuse, misuse, improper or abnormal usage or repairs not provided by an IMPEX authorized service centre or for products used for commercial or rental purposes. No other warranty beyond that specifically set forth above is authorized by IMPEX.

IMPEX is not responsible or liable for indirect, special or consequential damages arising out of or in connection with the use or performance of the product or other damages with respect to any economic loss, loss of property, loss of revenues or profits, loss of enjoyments or use, costs of removal, installation or other consequential damages of whatsoever natures. Some States do not allow the exclusion or limitation of incidental or consequential damages. Accordingly, the above limitation may not apply to you.

The warranty extended hereunder is in lieu of any and all other warranties and any implied warranties of merchantability or fitness for a particular purpose is limited in its scope and duration to the terms set forth herein. Some States do not allow limitations on how long an implied warranty lasts. Accordingly, the above limitation may not apply to you.

This warranty gives you specific legal right. You may also have other rights which vary from State to State.

Register online at www.marcypro.com.

IMPEX[®] INC.
2801 S. Towne Ave.
Pomona, CA 91766

ORDERING REPLACEMENT PARTS

Replacement parts can be ordered by calling our Customer Service Department toll-free at **1-800-999-8899** during our regular business hours: Monday through Friday, 9 a.m. to 5 p.m. Pacific standard time.

support@impex-fitness.com

When ordering replacement parts, always give the following information.

1. Model
2. Description of Parts
3. Part Number
4. Date of Purchase