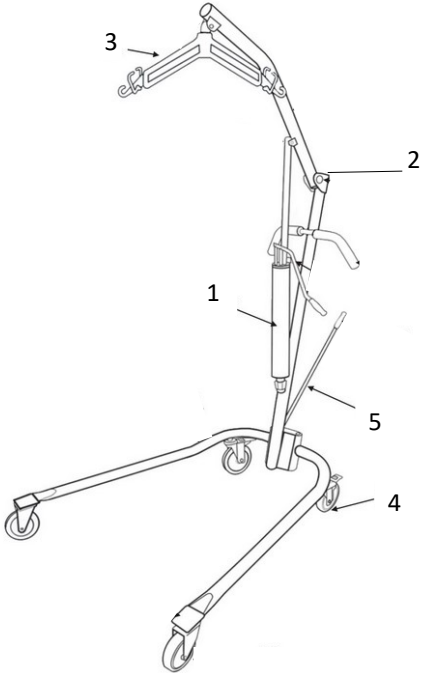


**PBPLSM001 - PROBASICS PATIENT LIFT**

- 1. Hydraulic pump
- 2. Plastic mast cover
- 3. Swivel Bar (hanger)
- 4. Caster with brake
- 5. Spreader bar
- 6. Bolt kit (includes most product nuts/bolts)



PBPLSM001	DESCRIPTION	ITEM #
1	HYDRAULIC PUMP ONLY - HAMMERTONE	PB0086BVP
2	PATIENT LIFT MAST COVER	X1PBPLSM01
3	SWIVEL BAR (HANGER)	PB085SB
4	CASTOR /BRAKE	PB086CWB
5	PATIENT LIFT LEG SPREADER BAR	PB0086SB
6	BOLT KIT FOR PB0087X	PB0087BOLTKIT