



Electric Bariatric Bed

DEALER: THIS MANUAL MUST BE GIVEN TO THE USER OF THE BED.

USER: BEFORE USING THIS BED, READ THIS MANUAL AND SAVE FOR FUTURE REFERENCE

WARNING

DO NOT OPERATE THIS EQUIPMENT WITHOUT FIRST READING AND UNDERSTANDING THIS MANUAL. IF YOU ARE UNABLE TO UNDERSTAND THE WARNINGS, CAUTIONS AND INSTRUCTIONS, CONTACT A HEALTHCARE PROFESSIONAL, DEALER OR TECHNICAL PERSONNEL IF APPLICABLE BEFORE ATTEMPTING TO USE THIS EQUIPMENT - OTHERWISE INJURY OR DAMAGE MAY RESULT.

PROCEDURES OTHER THAN THOSE DESCRIBED IN THIS MANUAL MUST BE PERFORMED BY A QUALIFIED TECHNICIAN.

SPECIAL NOTES

NOTICE

THE INFORMATION CONTAINED IN THIS DOCUMENT IS SUBJECT TO CHANGE WITHOUT NOTICE.

WARNINGS / CAUTION notices used in this manual apply to hazards or unsafe practices which could result in personal injury and/or property damage.

NOTICE

Allow a slight pause between adjustments and avoid pressing multiple buttons at the same time. If pendant buttons are depressed too rapidly or multiple buttons are depressed at the same time, the desired feature may not activate. Simply release the pendant button, permit a slight pause, and then activate the next operation.

SAVE THESE INSTRUCTIONS

SAFETY SUMMARY

WARNING

Check all parts for shipping damage and test before using. In case of damage, DO NOT use. Contact a qualified technician for further instruction.

After ANY adjustments, repair or services and BEFORE use, make sure all attaching hardware is tightened securely.

The bariatric bed is for home use ONLY. It is NOT for nursing home facilities OR hospital use and was NOT designed to meet nursing home facility or hospital standards.

Close supervision is necessary when the manual/electric bed is used by or near CHILDREN/PHYSICALLY CHALLENGED INDIVIDUALS.

DO NOT allow ANY individual under the bed at ANY time.

DO NOT leave the electric bed unattended when it is plugged in.

When using liquids of ANY kind in or around the electric bed, care should be taken to ensure that they are NOT spilled. If a liquid is spilled in or around the electric bed, UNPLUG the electric bed IMMEDIATELY. Clean up the spill and allow the electric bed or the area around the electric bed to dry thoroughly before using the electric controls again.

The bed is NOT designed to be used as a patient transport. When transporting a patient, use an approved patient transport. Otherwise, injury or damage may result.

OPERATING INFORMATION

When operating/moving/bariatrics beds, ALWAYS ensure that the individual utilizing the bed is positioned properly within the confines of the bed. DO NOT let any extremities protrude over the side or between the bed rails when performing these functions.

After the bed has been assembled, ALWAYS test to make sure that all sections of the bed are properly and securely in place BEFORE using.

Make sure the head and foot springs/sections are securely locked to the head and foot boards BEFORE use.

The pendant cord MUST be routed and secured properly to ensure that cord does NOT become entangled and/or severed during operation of the electric bed.

Keep ALL moving parts, including the main frame, mattress deck (head and foot springs/sections), AND all drive shafts, free of obstruction (i.e. blankets/sheets, heating blankets/pads, tubing, wiring, etc. and other types of products using electric cords which may get tangled around the bed, side rails or legs) during operation of the manual/electric bed.

This bed is equipped with wheel locks. When transferring into OR out of the bed, ALWAYS engage the wheel locks. Inspect the wheel locks for correct locking action BEFORE actual use.

REPLACEMENT PARTS/ACCESSORIES

Use masked nasal type oxygen administering equipment in conjunction with the bed ONLY. The use of ANY type of oxygen administering equipment can result in a fire hazard.

When using nasal or masked type oxygen administering equipment, the oxygen or air tubing MUST be routed and secured properly to ensure that the tubing does NOT become entangled and/or severed during normal operation of bed.

SAFETY SUMMARY (CONTINUED)

WARNING

ALWAYS test to make sure that the side rails are properly and securely in place BEFORE using the bed.

Roscoe Medical recommends that the mattress be centered on the bed frame. Otherwise, individuals may become entangled between the bed rail and the bed frame.

Physically challenged individuals who CANNOT prevent themselves from rolling/climbing out of the bed may require alternative safe means of restraint.

Side rails, when used with a bariatrics bed, DO NOT fall within any weight limitations. Side rails can be deformed or broken if excessive side pressure is exerted on the side rails. Side rails are for the purpose of preventing an individual from rolling/climbing out of the bed. If necessary, a physician or a health care professional should be consulted for alternative means of safe restraint. The side rails are NOT intended to be used for restraint purposes.

After raising/lowering the head/foot end of the bariatrics bed, check the distance between the bottom of the bed rail and the mattress. If there is excessive distance between the bottom of the bed rail and the mattress in which individuals may become entangled, adjust the height of the bed rail (if applicable), OR provide alternative means of patient protection.

DO NOT use the side rails as push handles for moving the bed.

Traction unit MUST be securely fastened to head/foot ends of the bed. These units are to be used ONLY for immobilizing a patient in various traction setups or ASSISTING the patient in repositioning or transferring in or out of the bed.

NEVER allow patients to use traction unit as a total individual weight support.

Replacement mattresses and bed side rails with dimensions DIFFERENT than the original equipment supplied or specified by the bed frame manufacturer are NOT interchangeable. Variations in bed side rail design, width and thickness or firmness of the mattress could cause/contribute to entrapment, Use ONLY authorized replacement parts and/or accessories.

ELECTRICAL - Grounding Instructions

Electrical beds are equipped with three-prong (grounding) plugs for protection against possible shock hazards. Where a two-prong wall receptacle is encountered, it is personal responsibility and obligation of the customer to contact a qualified electrician and have the two-prong receptacle replaced with a properly grounded three-prong wall receptacle in accordance with the National Electrical Code. If you must use an extension cord, use ONLY a three-wire extension cord having the same or higher electrical rating as the device being connected. DO NOT under any circumstance cut or remove the round grounding prong from any plug used with or for Roscoe Medical products. In addition, Roscoe Medical has placed red WARNING tags on some equipment. DO NOT remove these tags.

NEVER operate if the unit has a damaged cord or plug. If it is not working properly, call a qualified technician for examination and repair.

Keep ALL electrical cords away from HEATED or HOT surfaces.

For proper grounding, junction box MUST be securely connected to the bed with metal screws and spacer provided or electrical shock could occur.

SAFETY SUMMARY (CONTINUED)

WARNING

REPAIR OR SERVICE INFORMATION

DO NOT open assemblies such as the motors, hand control unit, junction boxes or electrical control boxes. ONLY qualified technicians are permitted to repair these parts. If unqualified individuals perform any work on these beds, the warranty is void.

DO NOT use ANY parts or accessories other than those authorized by Roscoe Medical.

UNPLUG the power cord when performing any maintenance on the bed.

Before installing the connector into the junction box, be sure the side with the locking tab is facing DOWNWARD - otherwise, injury or damage may occur.

DO NOT force the connector into the junction box, otherwise - injury or damage may occur.

RADIO FREQUENCY INTERFERENCE

Electronic equipment may be influenced by Radio Frequency Interference (RFI). Caution should be exercised with regard to the use of portable communications equipment in the area around such equipment. If RFI causes erratic behavior, unplug the electric bed immediately. Leave unplugged while transmission is in progress.

The weight limit of the occupant of the Bariatric Bed CANNOT exceed 600 lbs. (272 kg.) The TOTAL weight limit of the Bariatric Bed (including accessories, mattress, occupant and ANY other person/object positioned on the bed) CANNOT exceed 700 lbs. (318 kg.).

NEVER permit more than one (1) person on/in the bed at any time.

Body weight should be evenly distributed over the surface of the bed. DO NOT lay, sit or lean in such a way that your entire body weight is placed only on RAISED head or foot sections of the bed. This includes when repositioning or transferring in or out of bed.

The frame support assemblies MUST be securely fastened to the bed frame BEFORE use. Otherwise, injury or damage may result.

The head motor connection cord MUST be properly positioned in the four (4) head motor connection cord supports on the underside of the bed frame BEFORE use. Otherwise, injury or damage may result.

SAFETY SUMMARY

SPECIFICATIONS

BARIATRIC BED		
BED NO.	DESCRIPTION	SHIPPING WEIGHT
PB42BARBED	Full Electric	301 lbs. 136.7 Kg.

ADJUSTMENT RANGE - BARIATRIC BED (FULL ELECTRIC)

Bed No.	Head End		Foot End		Fabric Height *		Overall Length	Bed Width	Split Spring To Ends		Pan Deck
	Minimum	Maximum	Minimum	Maximum	Minimum	Maximum			Head	Foot	
PB42 BARBED	31.5 in. 80 cm	39.5 in. 100.3 cm	29 in. 73.7 cm	37 in. 94 cm	18 ¼ in. 46.3 cm	26 ¼ in. 66.6cm	88 in. 223.5 cm	42 in. 109.7 cm	43 in. 109.2 cm	45 in. 114.3 cm	80 in. 203.2 cm

* Height from floor to bottom of mattress

A Denotes single spring bed system

Electric homecare beds are U.L and C.S.A. listed.

SPECIFICATIONS (CONTINUED)

Bed No. Name	Full Electric	Semi Electric	Bariatric Full Electric
Bariatric Bed Head Frame			X
Bariatric Bed Foot Frame Section Three Motors			X
Bariatric Bed Full Electrical Ends			X

WARNING / CAUTION LABEL LOCATION - BARIATRIC BED

⚠ WARNING

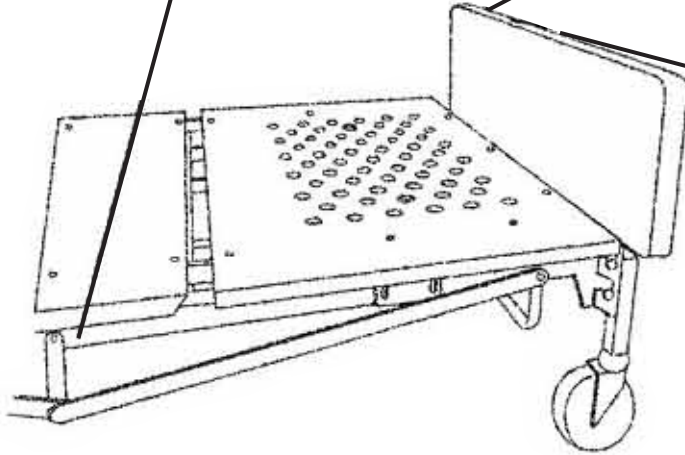
The frame support assemblies **MUST** be securely fastened to the bed frame **BEFORE** use. Otherwise, injury or damage may result.

⚠ WARNING

The weight limit of the occupant of the Bed **CANNOT** exceed 600 lbs. The **TOTAL** weight limit of the Bariatric Bed (including accessories, mattress, occupant and **ANY** other person/object positioned on the bed) cannot exceed 700 lbs.

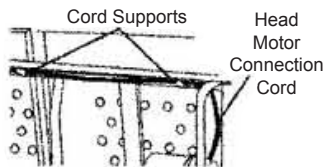
⚠ WARNING

The bariatric bed is **NOT** designed to be used as a patient transport. When transporting a patient, use an approved patient transport. Otherwise, injury or damage may result.



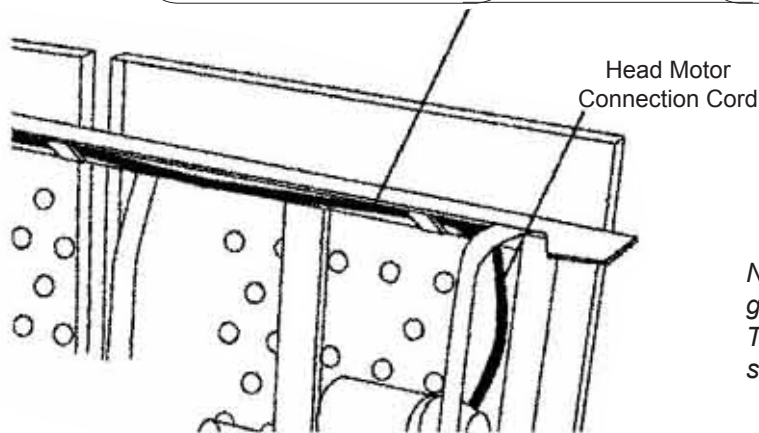
⚠ WARNING

Underside of Head Section of Bed Frame



⚠ WARNING

The head motor connection cord **MUST** be properly positioned in the four (4) head motor connection cord supports on the underside of the bed frame **BEFORE** use. Otherwise, injury may result.



⚠ WARNING

Grounding reliability can **ONLY** be achieved when the equipment is connected to a receptacle marked "Hospital Only" or "Hospital Grade".

NOTE: Warning label goes on the power cord. The power cord is NOT shown.

NOTE: Underside of bed shown

PACKAGING / HANDLING

UNPACKING

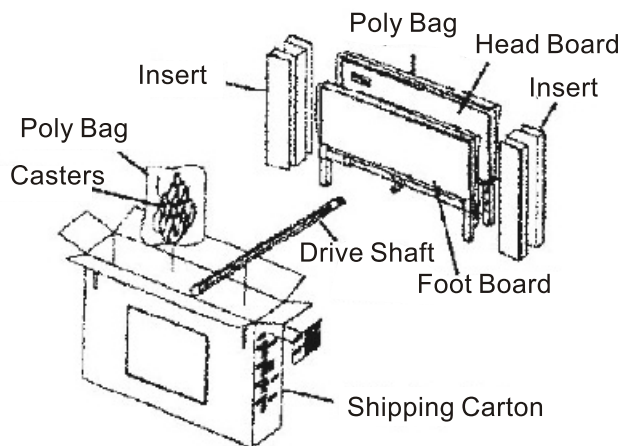
1. Check bed components for any obvious damage to the carton or its contents. If damage is evident, contact your local dealer.
2. Remove any loose packaging from the cartons.
3. Carefully remove all components from the cartons.

CAUTION

DO NOT attempt to operate bed controls prior to completion of assembly as damage to bed components may occur.

The three cartons and contents are as follows:

1. BED END carton:
One (1) HEADBOARD
One (1) FOOTBOARD
Four (4) casters two (2) locking and two (2) non locking casters



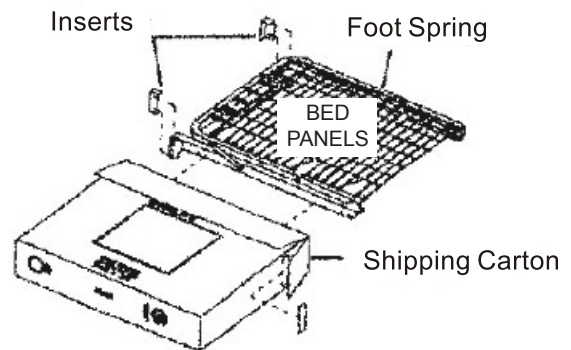
2. FOOT SPRING carton:
One (1) FOOT SPRING (electric beds include pendant, junction box and cord)
One (1) emergency crank handle
Two (2) frame support assemblies
3. HEAD SPRING carton:
One (1) HEAD SPRING

INSPECTION

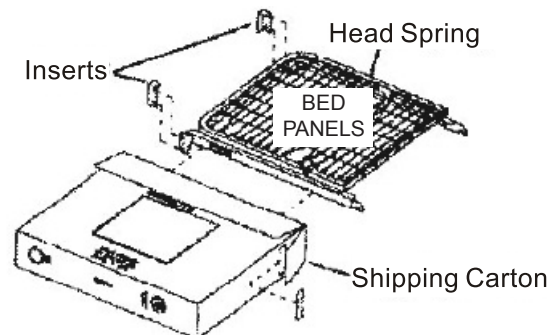
1. Examine each item carefully for scratches, nicks, dents or any other apparent damages.
2. Inspect the power supply cord for cuts or damage to the cord and/or plug.
3. Inspect the junction box for any damage to the connectors.
4. Ensure that the motor plugs are in good working order and fit properly into the junction box.

STORAGE

1. If bed is not to be assembled immediately, retain the cartons and packaging for storage until assembly is to be performed.
2. Store the repackaged bariatric bed in a dry area.
3. DO NOT place other objects on top of the repackaged cartons.



NOT Shown:
Junction Box w/Cord
Pendant and Emergency Crank Handle



This Procedure Includes the Following:

- Connecting the Head/Foot Sections
- Connecting the Spring Fabric
- Adjusting and Reconnecting the Head Spring Pull Tube
- Raising the Bed Ends
- Assembling the Bed Ends
- Installing the Casters
- Installing the Frame Support Assemblies
- Connecting the Head End Motor to the Junction Box
- Activating the Bed Functions

CAUTION

When assembling the head and foot end sections of the bed, the head end section of the bed should be positioned so that it is at a 130° angle to the foot end section of the bed. Otherwise, the pull tube on the foot end section of the bed will not clear the pan deck of the head end section of the bed and damage may result.

CAUTION

DO NOT attempt to operate bed controls prior to completion of assembly as damage to bed components may occur.

BARIATRIC BED ONLY

NOTE: Roscoe Medical recommends that two (2) people perform this procedure.

1. Remove the head end section of the bed from the packaged container and place it on its side to your RIGHT with the center mounting latches to your LEFT.
2. Remove the foot end section of the bed from the packaged container and place it on its side to your LEFT with the center mounting rivets facing to your RIGHT.
3. The bed end section with two (2) motor assemblies (FOOT end section) should be to your LEFT and the bed end section with one (1) motor assembly (HEAD end section) should be to your RIGHT.

NOTE: Before connecting the head and foot end sections, make sure the pull tube on the foot end section is positioned on the underside of the pan deck on the head end section.

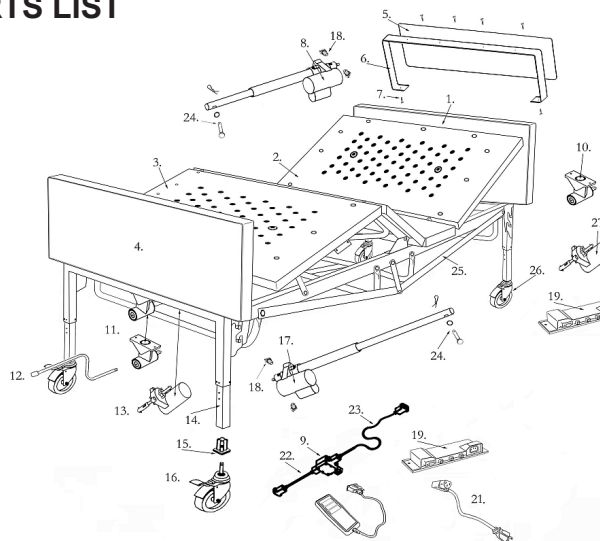
4. The head and foot end sections of the bed should now be in their side at a 130° angle to one another.
5. Hook the TOP center mounting latch on the HEAD end section of the bed with the TOP center mounting rivet in the FOOT end section of the bed.
6. With one (1) person holding the TOP of the bed together, have the other person hook the BOTTOM center mounting latch on the HEAD end section of the bed with the BOTTOM center mounting rivet on the FOOT end section of the bed.

NOTE: It may be necessary to grasp the center support of the foot end section of the bed so that the BOTTOM center rivet can be maneuvered into the BOTTOM center mounting latch.

NOTE: It may be necessary to slightly lift the head OR foot end sections of the bed to secure the center rivets into the center mounting latches.

7. After the head and foot end sections of the bed are connected, push the ends into a horizontal (straight) position while still on their sides.

PARTS LIST



1. Complete headboard without wheels
2. Head end complete with electronics
3. Foot end complete with electronics
4. Complete footboard without wheels
5. Headboard composite wood panel - pair
6. Headboard/footboard frame
7. Panel frame screws, set of 6
8. Head end motor complete with extension tube and actuator
9. Headboard gear box
10. Head motor extension cord
11. Footboard gear box
12. Manual crank
13. Foot end hi-lo motor
14. Adjustable leg
15. Receptacle for caster
16. Caster with lock
17. Foot end motor complete with extension tube and actuator
18. Quick release spring knob
19. Junction box
20. Hand control
21. Power cord
22. Hi-lo shaft (two pieces)
23. Frame support rail
24. Attachment pin and hardware
25. Caster without lock

RAISING THE BED ENDS (FIGURE 5)

1. The bed legs must now be raised 1/4 inch (.6 cm). This can be accomplished by inserting the manual crank into the foot end gear box receptacle and turning clockwise until the bed end is at the correct height.
2. Insert the crank into the head end receptacle and raise the head end to the correct height.

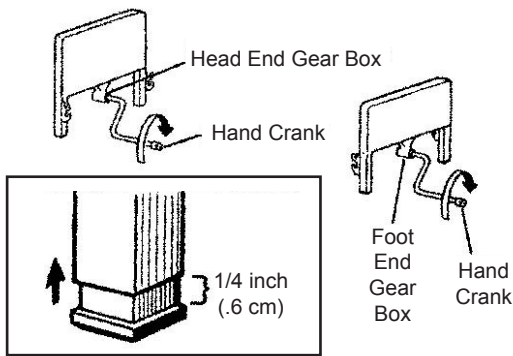


FIGURE 5 - RAISING THE BED ENDS

*NOTE: The following procedures applies to ALL beds.
NOTE: Roscoe Medical recommends that two (2) people perform this procedure for the Bariatric Bed.
NOTE: When connecting the bed ends (headboard and footboard), remember that the headboard is the taller of the two.*

1. Stand the headboard as close to the head springs as possible.

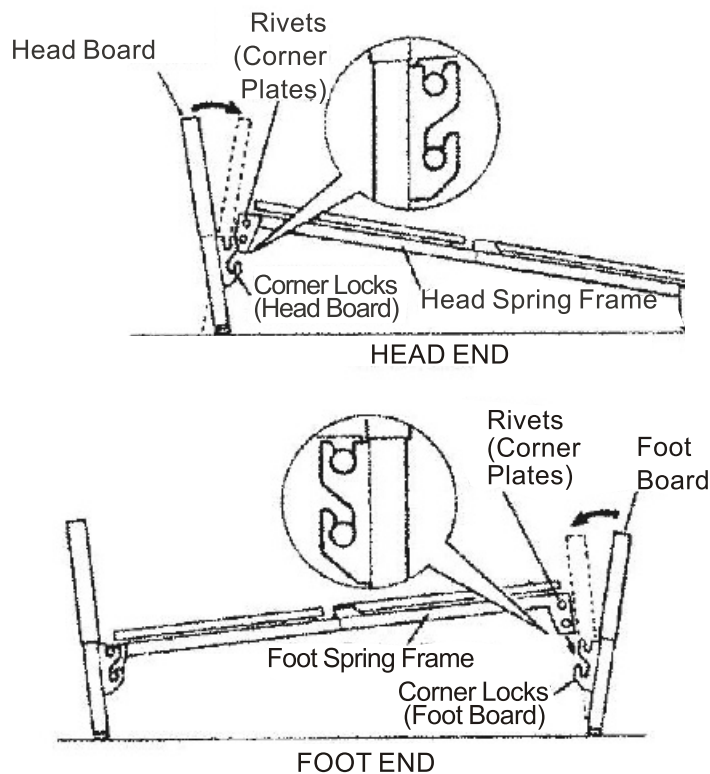


FIGURE 6 - ASSEMBLING THE BED ENDS

2. With one hand, grasp the head spring frame and raise it until the rivets on the corner plates of the spring are at the correct height to fit onto the corner locks on the headboard.
3. Tilt the headboard backward slightly and the rivets should slide onto the corner locks more easily.
4. When the headboard is returned to its full upright position, the headboard will lock into place.
5. Repeat the same procedure for the footboard.

WARNING

The proper casters are provided with the Bariatric Bed. DO NOT use any other casters with the Bariatric Bed. Otherwise, injury or damage may result.

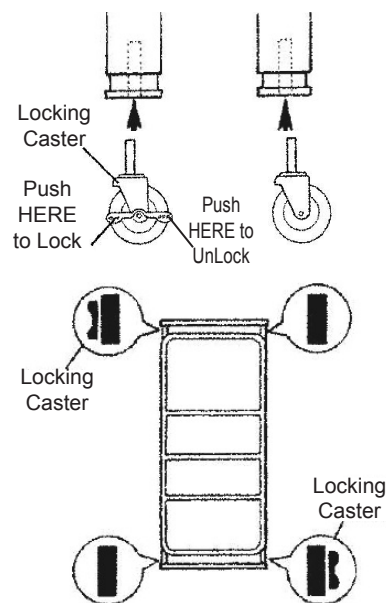
NOTE: Position the two (2) locking casters diagonally opposite from one another.

NOTE: If two (2) locking casters are NOT included with the bed, contact a qualified dealer.

1. Install casters by carefully lifting the bed ends approximately 5-inches (12.7 cm) from the floor and insert the shaft of caster assembly into the caster socket.
2. To prevent excess movement of the bed, lock each of the two (2) locking casters by pushing DOWN on the side of the caster lock that is labeled ON.

NOTE: Locking the casters may NOT prevent the bed from moving on slick and slippery surfaces.

3. To unlock each side of the two (2) locking casters, push DOWN on the side of the caster lock that is labeled OFF.



INSTALLING FRAME SUPPORT ASSEMBLIES

WARNING

The frame support assemblies MUST be securely fastened to the bed frame BEFORE use. Otherwise, injury or damage may result.

NOTE: Two (2) people are required when performing this procedure.

1. Unfold one (1) frame support assembly so that the center mounting bracket is in the middle and the two (2) side support mounting brackets are on either side (DETAIL "A").
2. Position the LARGE mounting hole on one (1) side of the support mounting bracket over the rivet near the HEAD end section of the bed.
3. Pull the frame support assembly toward the FOOT end section of the bed until the rivet near the HEAD end section of the bed slides into the SMALL mounting hole in the side support bracket.

4. While performing STEP 3, position the LARGE mounting hole in the opposite frame support bracket over the rivet near the FOOT end section of the bed.
5. Allow the frame support assembly to hang from the two (2) rivets.

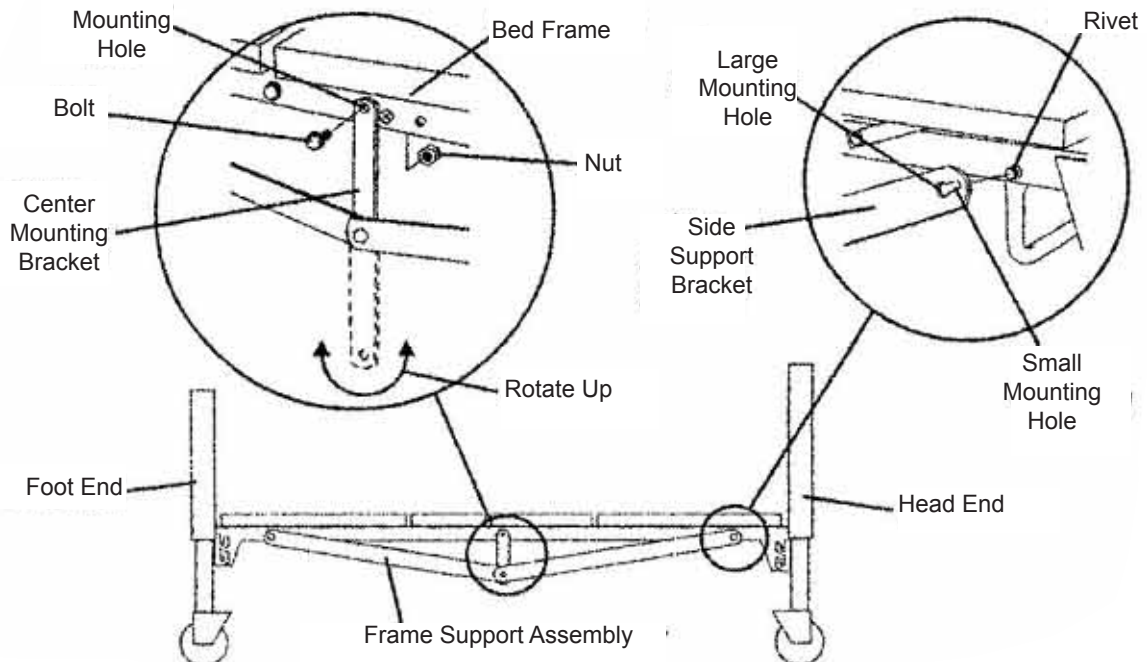
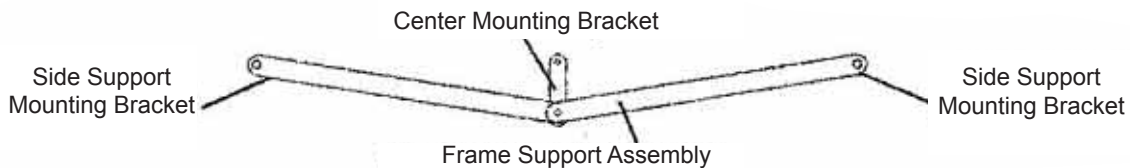
NOTE: Make sure the two (2) rivets on either side of the bed are positioned in the two (2) SMALL mounting holes in the frame support assemblies.

6. Rotate the center mounting bracket until the mounting hole aligns with the mounting hole in the side of the bed frame.

NOTE: It may be necessary to lift up on the side of the bed frame so that the mounting hole in the center mounting bracket align with the mounting holes in the bed frame assembly.

7. Install the bolt through the mounting hole in the center mounting bracket and through the mounting hole in the bed frame assembly. Securely tighten with the bolt.
8. Repeat STEPS 1-7 for the opposite frame support assembly.

DETAIL "A"



CONNECTING THE HEAD END MOTOR TO THE JUNCTION BOX

WARNING

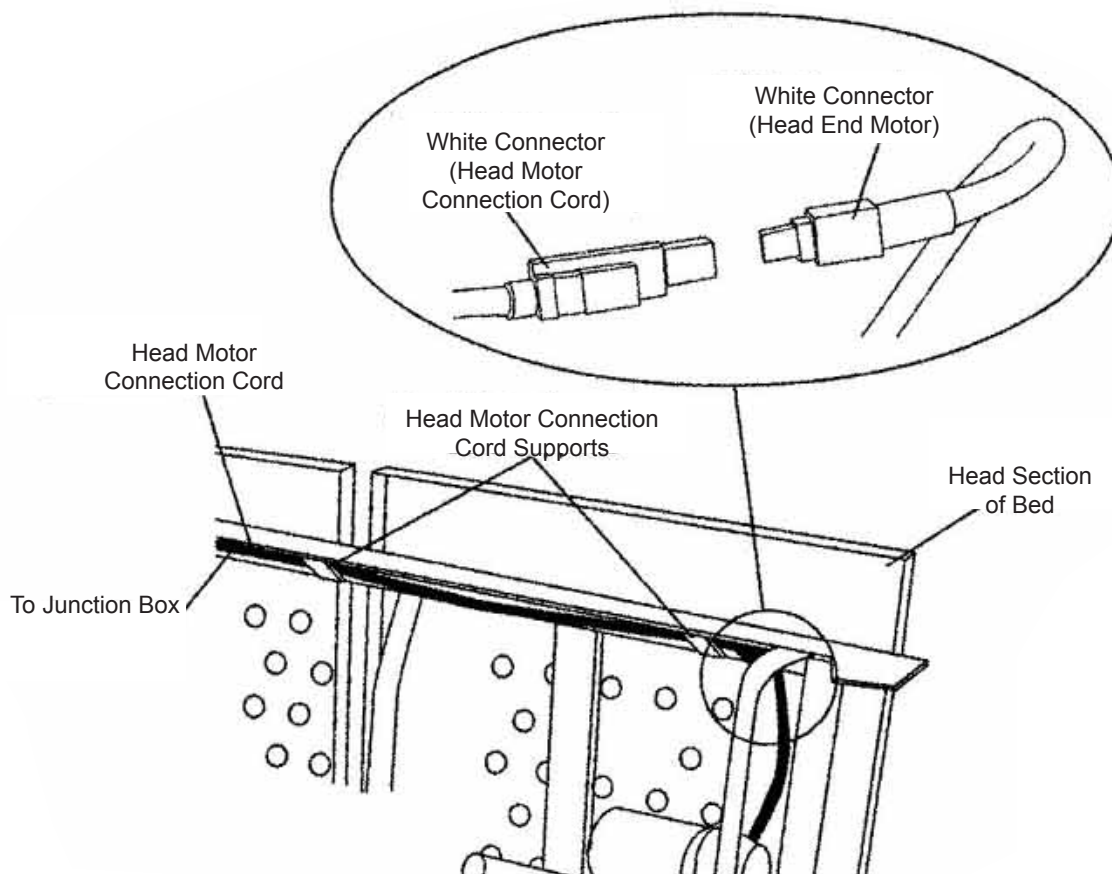
The head motor connection cord **MUST** be properly positioned in the four (4) head motor connection cord supports on the underside of the bed frame **BEFORE** use. Otherwise, injury or damage may result.

NOTE: To disconnect the head end motor from the junction box, reverse the following steps.

1. Locate the head motor connection cord that connects the junction box to the head end motor.

NOTE: The Bariatric Bed is shipped with the head motor connection cord positioned in the head motor connection cord supports on the foot end section of the bed.

2. Locate the two (2) head motor connection cord supports on the head end section of the bed.
3. Feed the head motor connection cord through the two (2) head motor connection cord supports.
4. Connect the WHITE connector of the head motor connection cord to the WHITE connector of the head end motor.

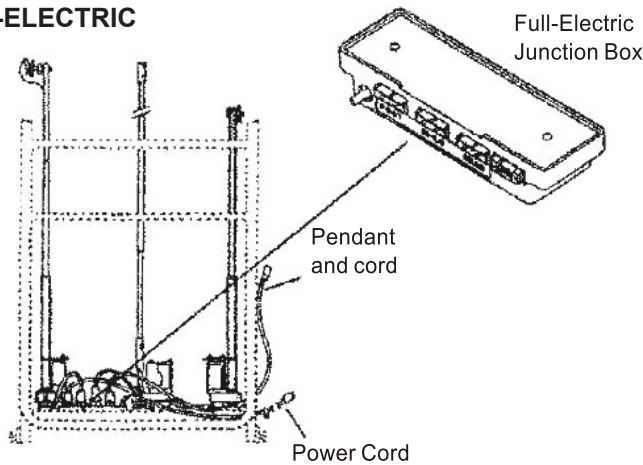


CONNECTING THE HEAD END MOTOR TO THE JUNCTION BOX

ACTIVATING THE BED FUNCTIONS

1. Recheck all electrical connections on junction box at foot end ensuring that all motors are plugged into the correct locations
2. Plug the junction box cord into a properly grounded 110-volt, 60 cycle outlet.

FULL-ELECTRIC



ACTIVATING THE BED FUNCTIONS

INSTALLING / REMOVING CONNECTORS INTO / FROM THE JUNCTION

Installing

WARNING

Before installing the connector into the junction box, be sure the locking tab function tab is facing DOWNWARD otherwise, injury may occur.

1. Grasp the connector and position it so the locking tab is facing DOWNWARD (FIGURE 1).

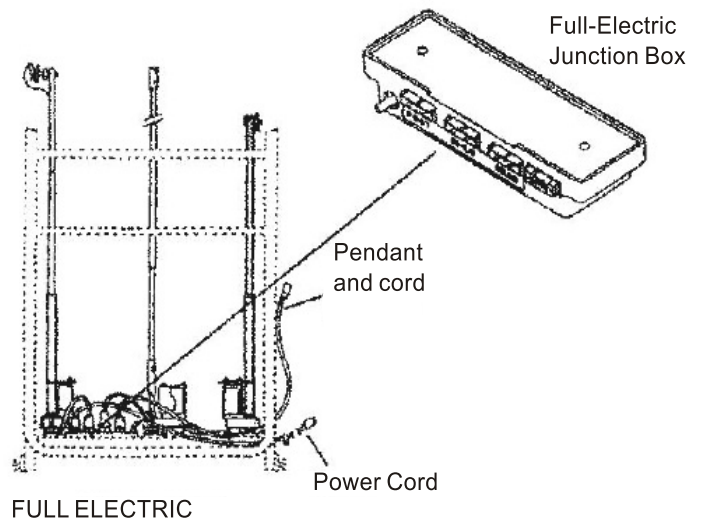
WARNING

DO NOT force the connector into the junction box, otherwise injury or damage may occur.

2. Gently push the connector into the appropriate slot on the junction box until it locks into place and an audible "click" is heard (FIGURE 1).
3. If the connector DOES NOT slide easily into the slot on the junction box, check to make sure the locking tab is facing DOWNWARD and repeat STEP 2.

Removing

1. Push down on the end of the locking tab on the connector.
2. While performing STEP 1, pull the connector away from the junction box.





INSTALLING / REMOVING CONNECTORS INTO/FROM THE JUNCTION BOX





BARIATRIC BED OPERATION

1. The accompanying pictures detail the bariatric beds and will acquaint the user with the bed functions and controls.
2. Operate the bed through all phases of its operation.
3. If any problems arise during test, recheck all electrical connections and mechanical hook ups.
4. Bariatric beds use a six (6) function pendant for all bed operation.
5. All bariatric beds come with an emergency crank to allow continued operation in the event of a power outage.

RAISING AND LOWERING THE ENTIRE BED

TO RAISE ENTIRE BED
<p>Depress button "BED UP" as shown on the pendant control. This will raise the entire height of the bed.</p> 
TO LOWER ENTIRE BED
<p>Depress button "BED DOWN" as shown on the pendant control. This will lower the entire height of the bed.</p> 

RAISING AND LOWERING THE HEAD AND FOOT SECTIONS

TO RAISE THE HEAD SPRING SECTION
<p>Depress button "HEAD UP" as shown on pendant control. This will raise the head portion of the bed ONLY.</p> 
TO LOWER THE HEAD SPRING SECTION
<p>Depress button "HEAD DOWN" as shown on pendant control. This will lower the head portion of the bed ONLY.</p> 
TO RAISE THE FOOT SPRING SECTION
<p>Depress button "FOOT UP" as shown on pendant control. This will raise the foot portion of the bed ONLY.</p> 
TO LOWER THE FOOT SPRING SECTION
<p>Depress button "FOOT DOWN" as shown on pendant control. This will lower the foot portion of the bed ONLY.</p> 

MAINTENANCE

MAINTENANCE AND CLEANING

Maintenance and cleaning procedures should be conducted between users or at least once every three years. This form may be copied and used as a procedural guide and documentation.

Date _____

Bed Model # _____

Bed Serial # _____

MECHANICAL INSPECTION AND MAINTENANCE

- 1. Inspect all bed components for damage or excessive wear.
- 2. Visually examine all welds and cracks.
- 3. Inspect the head and foot springs for bend, warping or damage.
- 4. Check drive shaft end drive shaft connections for bending, damage or excessive wear.
- 5. Inspect pull tubes and mounting hardware for bending, damage or excessive wear.
- 6. Inspect all bolts and rivets to ensure that they are securely tightened and functioning properly.
- 7. Check sleep surface to ensure all links are intact.
- 8. Inspect head and foot ends for proper operation.
 - a. Adjust bed ends to the lowest position.
 - b. Remove bed trim.
 - c. Remove both the head and foot end panel boards.
 - d. Inspect cables for wear.
 - e. Inspect Acme screws for lubrication. Apply a tight silicon based grease if necessary.
 - f. Reinstall the panel boards and trim.
- 9. Check casters to ensure they lock, if applicable, and roll properly.

ELECTRICAL INSPECTION AND MAINTENANCE

- 1. Check all pendant, power and motor cords for chafing, cuts or excessive wear.
- 2. Make sure all plugs are fully attached and free of damage.
- 3. Check all functions:
 - a. Head raises and lowers properly.
 - b. Foot raises and lowers properly.
 - c. Head/Foot ends raise and lower properly.

CLEANING AND DISINFECTING THE BED

- 1. Unplug the power cord of electric beds before performing maintenance.
- 2. Wipe down with disinfectant. Allow to dry completely.

PASS / FAIL

- PASS Bed and all components have passed all of the above inspection criteria and is ready for placement into a client's home.
- FAIL Bed or any component has failed ANY of the above inspection criteria. Tag the bed or component with a complete description of the failure(s) and have the bed serviced.

LIMITED WARRANTY - BARIATRIC BEDS

This warranty is extended only to the original purchaser/user of our products.

This warranty gives you specific legal rights and you may also have other legal rights which vary from state to state.

Compass Health Brands warrants its products to be free from defects in materials and workmanship for a period of one (1) year from date of purchase for mechanical components and one (1) year from date of purchase for electrical components. The non-articulating frame structure is warranted for five (5) years from the date of purchase. All welds shall be warranted for the lifetime of the original purchaser. If within such warranty period any such product shall be proven to be defective, such product shall be repaired or replaced, at **Compass Health Brands'** option. This warranty does not include any labor or shipping charges incurred in replacement part installation or repair of any such product. **Compass Health Brands'** sole obligation and your exclusive remedy under this warranty shall be limited to such repair and/or replacement.

For warranty service, please contact the dealer from whom you purchased your bed product. In the event you do not receive satisfactory warranty service, please write directly to **Compass Health Brands** at the address on the back cover, provide dealer's name, address, and the date of purchase, indicate nature of the defect and, if the product is serialized, indicate the serial number. Do not return products to our factory without the prior consent.

LIMITATIONS AND EXCLUSIONS: THE FOREGOING WARRANTY SHALL NOT APPLY TO SERIAL NUMBERED PRODUCTS IF THE SERIAL NUMBER HAS BEEN REMOVED OR DEFACED, PRODUCTS SUBJECTED TO NEGLIGENCE, ACCIDENT, IMPROPER OPERATION, ABUSED USAGE, MAINTENANCE OR STORAGE, COMMERCIAL OR INSTITUTIONAL USE, PRODUCTS MODIFIED, WITHOUT **COMPASS HEALTH BRANDS** EXPRESS WRITTEN CONSENT (INCLUDING, BUT NOT LIMITED TO, MODIFICATION THROUGH THE USE OF UNAUTHORIZED PARTS OR ATTACHMENTS; PRODUCTS DAMAGED BY REASON OR REPAIRS MADE TO ANY COMPONENT WITHOUT THE SPECIFIC CONSENT OF **COMPASS HEALTH BRANDS**, OR TO A PRODUCT DAMAGED BY CIRCUMSTANCES BEYOND **COMPASS HEALTH BRANDS'** CONTROL, AND SUCH EVALUATION WILL BE SOLELY DETERMINED BY **COMPASS HEALTH BRANDS**. THE FAILURE TO ADHERE TO THE FOLLOWING INSTRUCTIONS.

THE FOREGOING WARRANTY IS EXCLUSIVE AND IN LIEU OF ALL OTHER EXPRESS WARRANTIES. IMPLIED WARRANTIES, IF ANY, INCLUDING THE IMPLIED WARRANTIES OF MERCHANTABILITY AND FITNESS FOR A PARTICULAR PURPOSE, SHALL NOT EXTEND BEYOND THE DURATION OF THE EXPRESSED WARRANTY PROVIDED HEREIN AND THE REMEDY FOR VIOLATIONS OF ANY IMPLIED WARRANTY SHALL BE LIMITED TO REPAIR OR REPLACEMENT OF THE DEFECTIVE PRODUCT PURSUANT TO THE TERMS CONTAINED HEREIN. **COMPASS HEALTH BRANDS** SHALL NOT BE LIABLE FOR ANY CONSEQUENTIAL OR INCIDENTAL DAMAGES WHATSOEVER.

THIS WARRANTY SHALL BE EXTENDED TO COMPLY WITH STATE/PROVINCIAL LAWS AND REQUIREMENT.

COMPASSHEALTH

Compass Health Brands Corp.
Middleburg Heights, OH 44130
www.compasshealthbrands.com