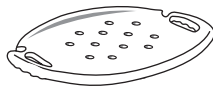




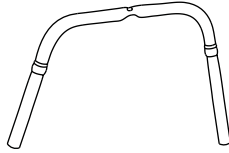
B650/B653



Seat x 1



Leg Extensions x 4



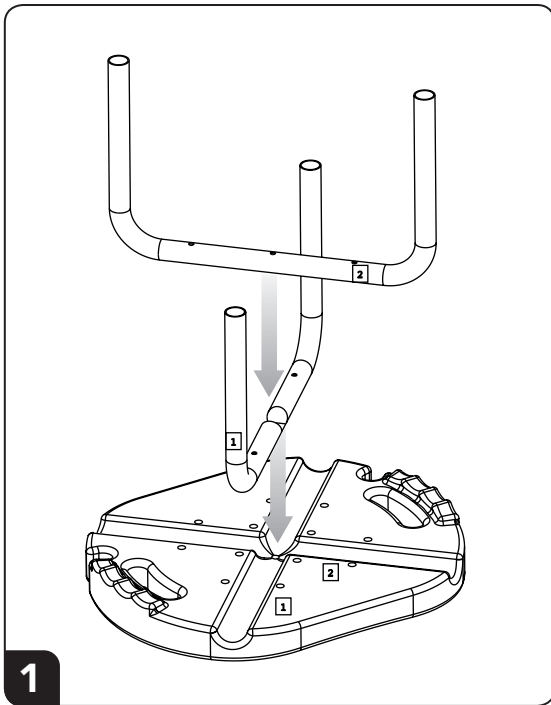
U Bar x 2
Labeled "1"
and "2"



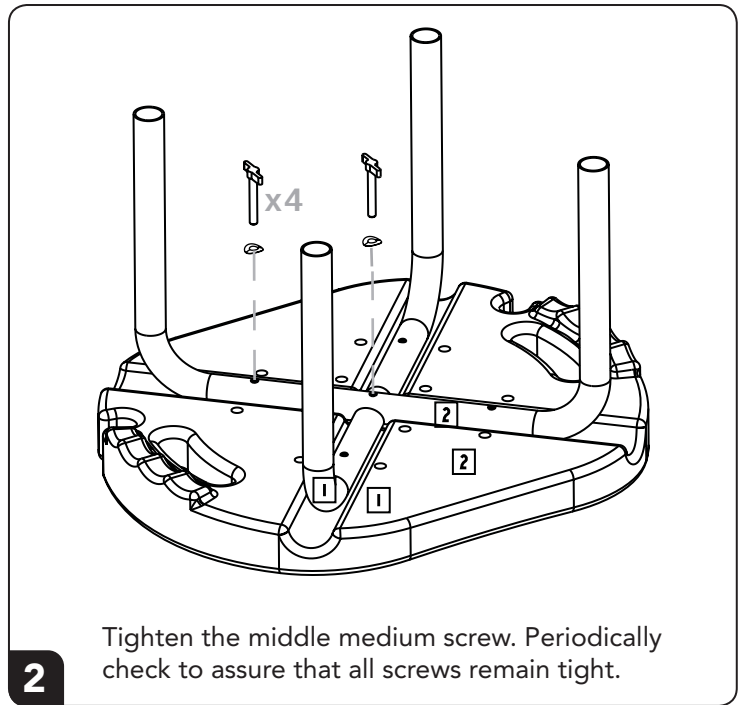
Washer x 5



Screws x 5

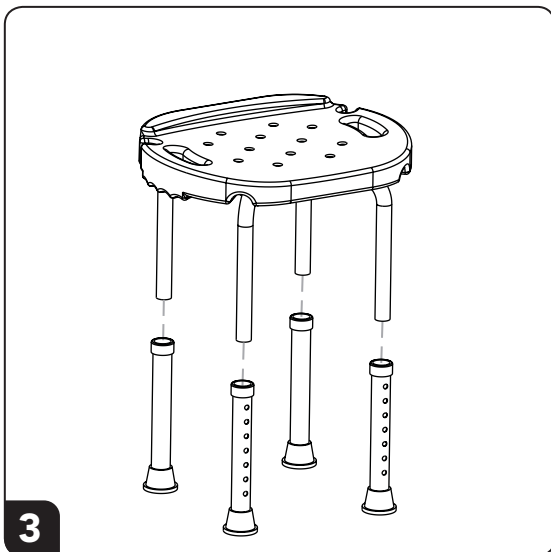


1

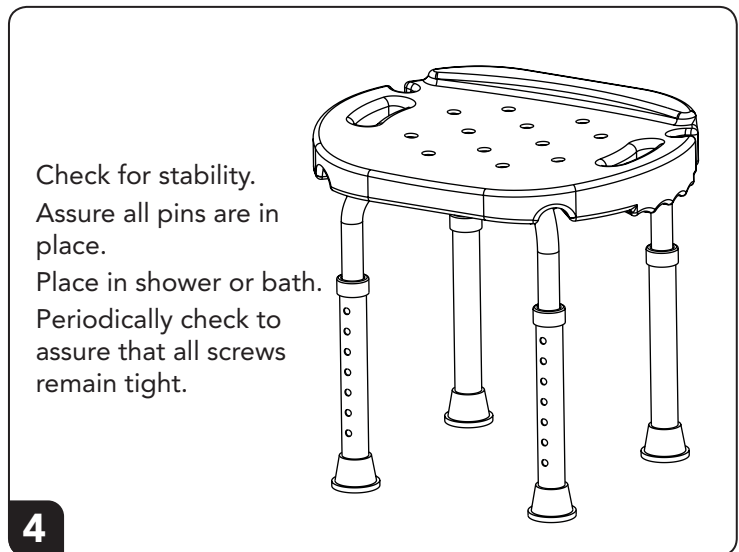


2

Tighten the middle medium screw. Periodically check to assure that all screws remain tight.



3



4

Check for stability.
Assure all pins are in place.
Place in shower or bath.
Periodically check to assure that all screws remain tight.

