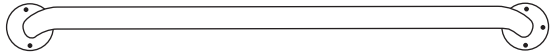
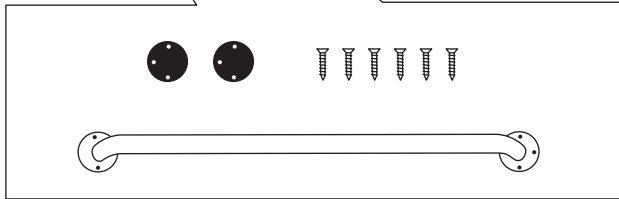
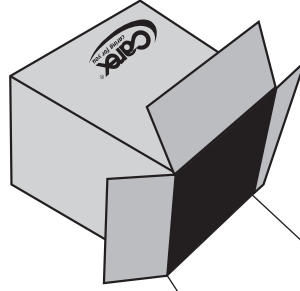
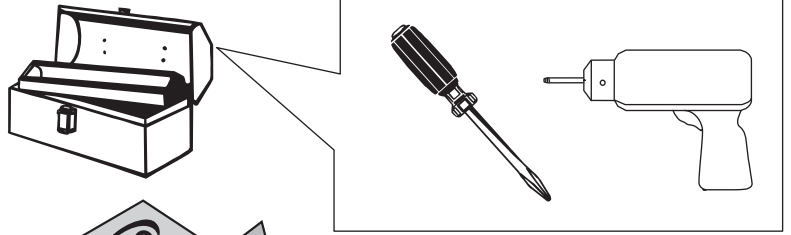


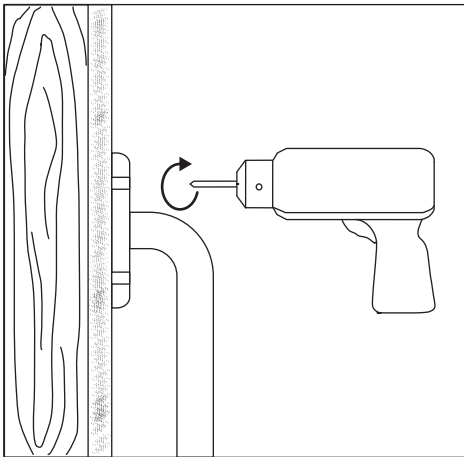
**Carex**<sup>®</sup>  
caring for you



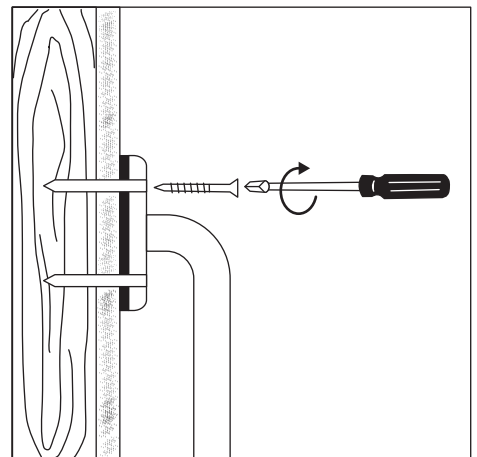
**B205, B206, B207,  
B208, B209, B210,  
B211, B212, B213**



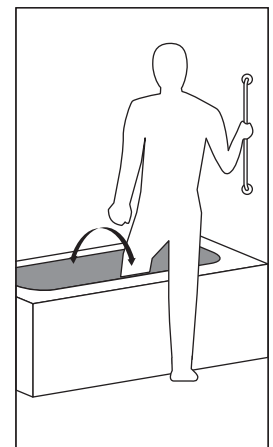
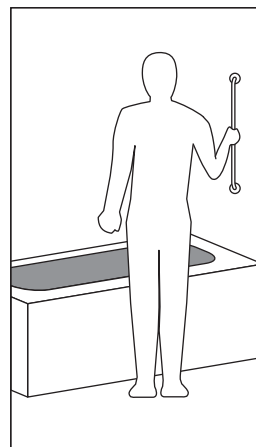
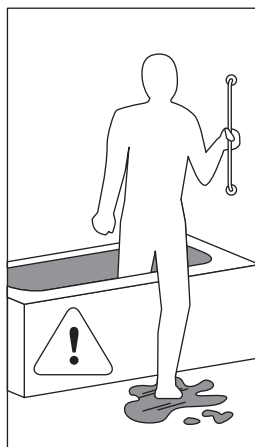
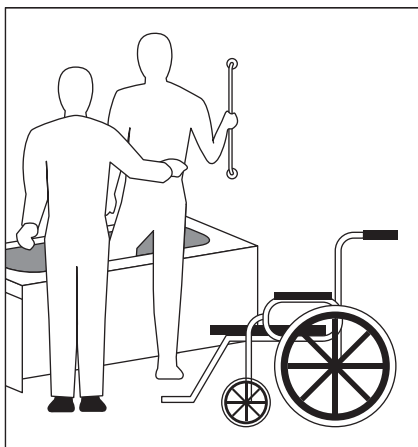
**1**



**2**



**3**



**Carex Health Brands**  
PO Box 2526 • Sioux Falls, SD 57101-2526  
Phone: 800-328-2935 • Fax: 888-616-4297  
www.carex.com



**Carex Health Brands**

All Rights Reserved  
Printed in the China  
© 2008 Carex Health Brands  
40-B205-B213\_02