

84 inch Bed Extender Head Spring

Assembly, Installation and Operating Instructions



Model No. 5143A

Yes, you can.

SAVE THESE INSTRUCTIONS

NOTE: Check all parts for shipping damage before using. In case of damage, DO NOT use the equipment. Contact the Dealer/Carrier for further instructions.

Safety Summary

⚠ WARNING

DO NOT use this product or any available optional equipment without first completely reading and understanding these instructions and any additional instructional material such as owner's manuals, service manuals or instruction sheets supplied with this product or optional equipment. If you are unable to understand the warnings, cautions or instructions, contact a healthcare professional, dealer or technical personnel before attempting to use this equipment - otherwise, injury or damage may occur.

The bed extender **MUST** be used with an 84 inch mattress - otherwise, injury or damage may occur.

The bed extender is to be used on the head section only. **DO NOT** install the bed extender on the foot section - otherwise, injury or damage may occur.

⚠ ACCESSORIES WARNING

Invacare products are specifically designed and manufactured for use in conjunction with Invacare accessories. Accessories designed by other manufacturers have not been tested by Invacare and are not recommended for use with Invacare products.

Purpose:

For conversion of the 80 inch split spring mattress deck to 84 inch mattress deck.

Tools Required:

Two $\frac{5}{16}$ inch open end wrenches

Kit Includes:

| DESCRIPTION | QUANTITY |
|--|----------|
| 5/16-18 Locknut | 2 |
| 5/16-18 x $\frac{3}{4}$ mounting screw | 2 |
| Head Spring Extender | 1 |
| Bed Extender | 1 |
| 84 inch Drive Shaft | 1 |

For more information regarding Invacare products, parts, and services, please visit www.invacare.com

Removing the Drive Shaft

NOTE: For this procedure, refer to FIGURE 1.

1. From the foot end of the bed, push the drive shaft towards the head end of the bed to compress the drive shaft and disengage it from the gear boxes at the foot end and head end of the bed.

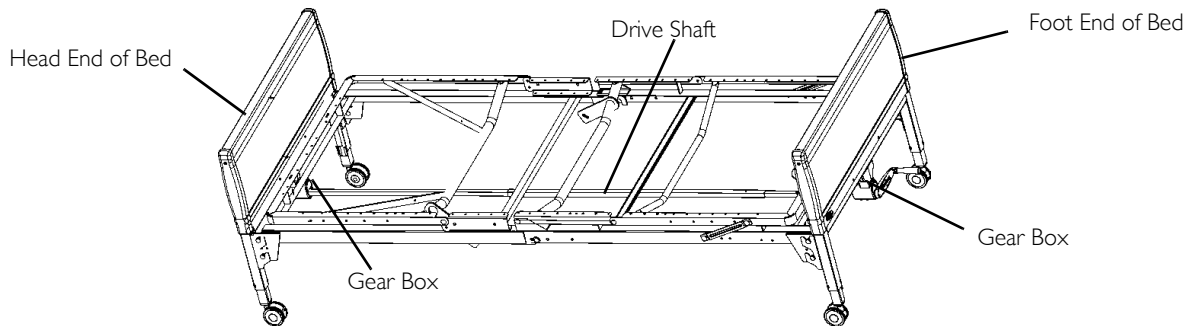


FIGURE 1 Removing the Drive Shaft

Removing the Head Bed End

NOTE: For this procedure, refer to FIGURE 2.

1. From the head end of the bed, lift up on the bed frame and disengage the rivets on the corner plates out of the corner locks of the head bed end.

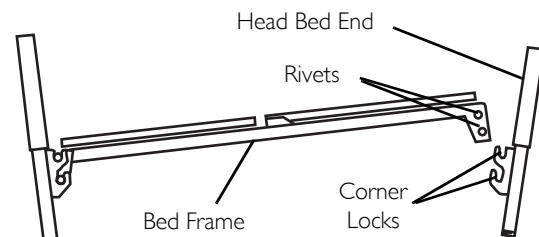


FIGURE 2 Removing the Head Bed End

Installing the Bed Extender

NOTE: For this procedure, refer to FIGURE 3.

1. Align the bed extender with end of bed frame.
2. Position rivets on the corner plates of the bed frame into the corner locks of the bed extender.

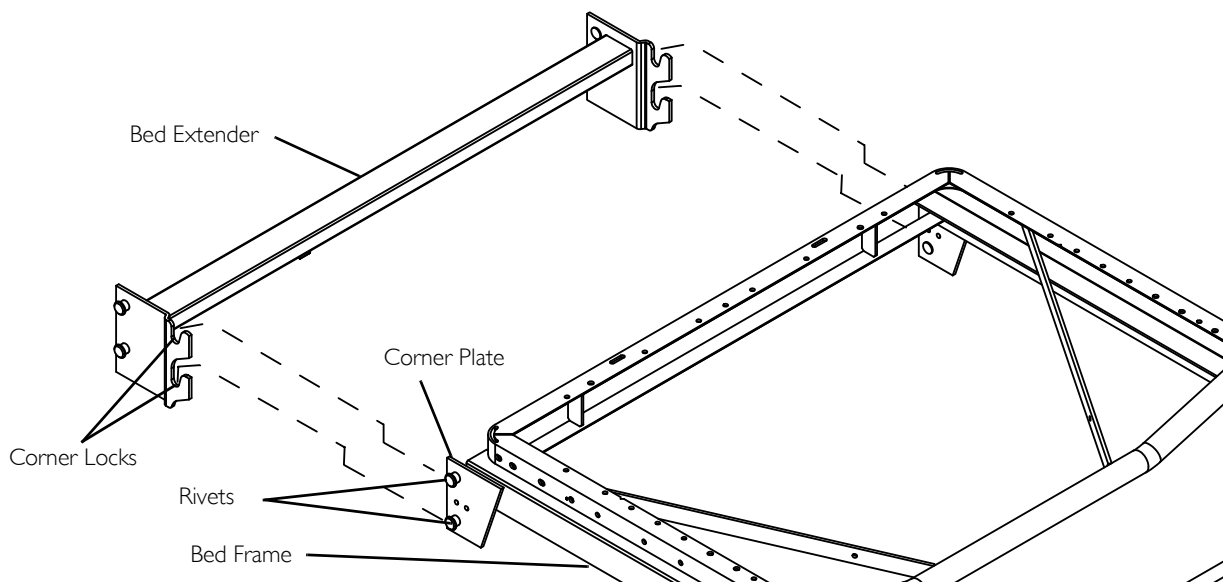


FIGURE 3 Installing the Bed Extender

Installing the Bed End

NOTE: For this procedure, refer to FIGURE 4.

1. Align the head bed end with the bed extender.
2. Position rivets of bed extender into the corner locks of bed end.

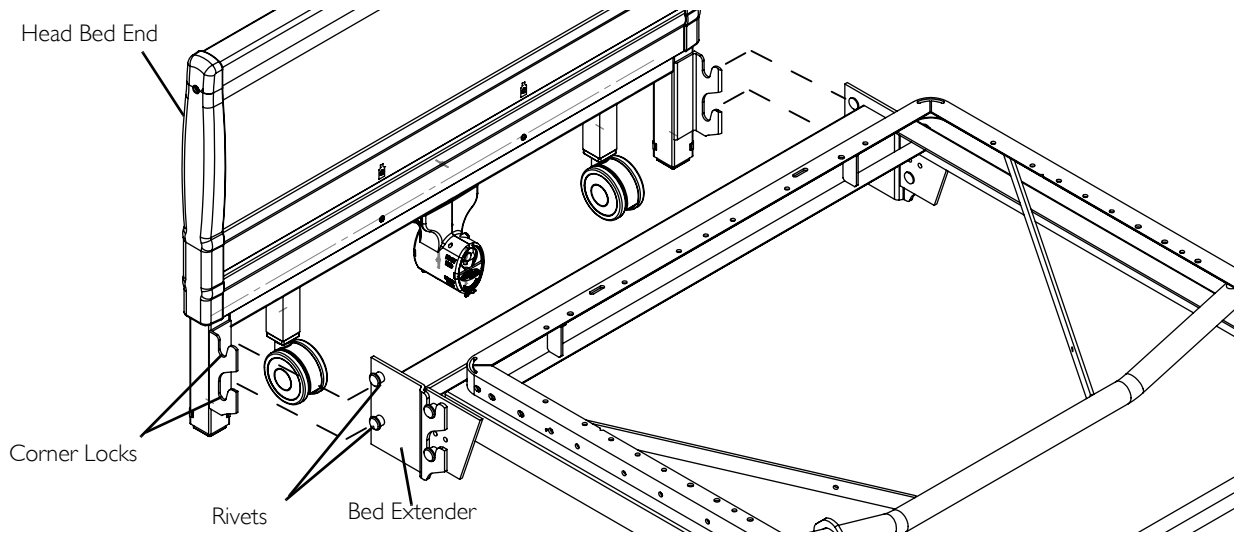


FIGURE 4 Installing the Bed End

Installing the Head Spring Extender

NOTE: For this procedure, refer to FIGURE 5.

CAUTION

Pinch points exist between the head spring extender and the mattress deck. When installing the head spring extender care should be taken not to position fingers in the locations noted in FIGURE 5.

1. Align the head spring extender with the mattress deck.
2. Secure the head spring extender to the mattress deck in the third mounting hole from the end with two mounting screws and locknuts. Securely tighten.

NOTE: The head bed end and bed extender are not shown for clarity.

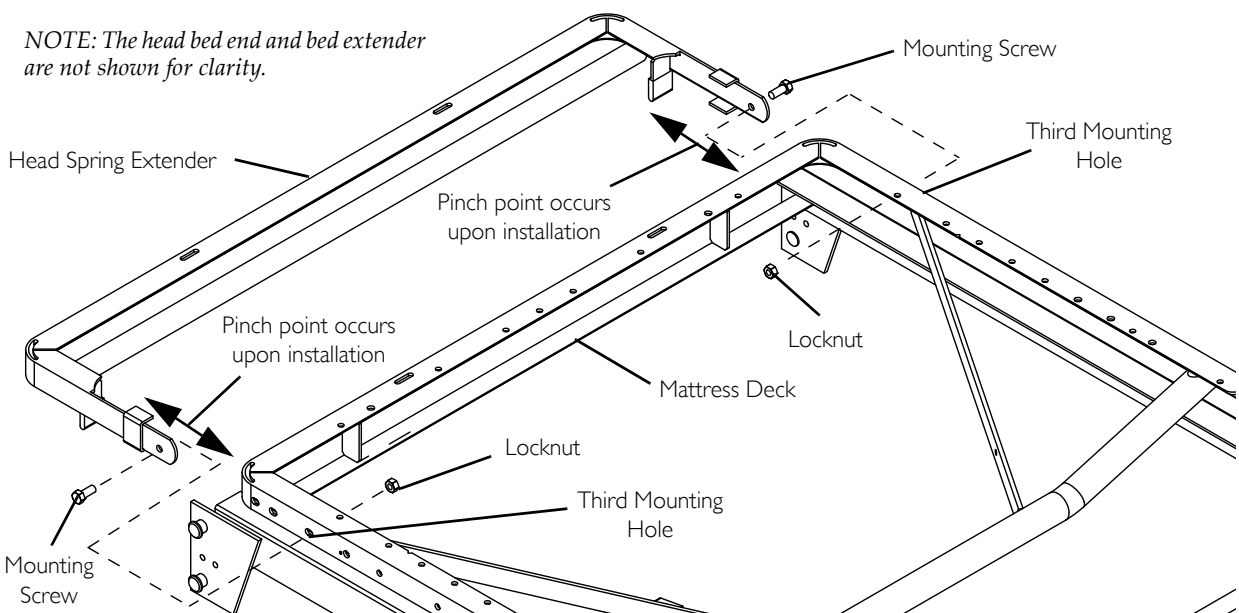


FIGURE 5 Installing the Head Spring Extender

Installing the Drive Shaft Assembly

NOTE: For this procedure, refer to FIGURE 6.

The drive shaft is composed of two sections. The inner shaft which has a positioning spring button, and the outer shaft, which has two positioning holes and one storage position hole. Together they make the telescoping drive shaft.

1. Remove the plastic caps from each end of the drive rod.
2. Depress spring button on the inner shaft and insert the inner shaft into the outer shaft.
3. Slide the inner shaft into the outer shaft and engage the spring button in the mounting hole position shown in FIGURE 6.
4. Attach the inner shaft of the 84 inch drive shaft to the bottom gear box output shaft on the head bed end.
5. Push in on the spring loaded end of the drive shaft and attach drive shaft to the top gear box output shaft on the foot end.

NOTE: The drive shaft will mount directly into the foot end gearbox output shaft.

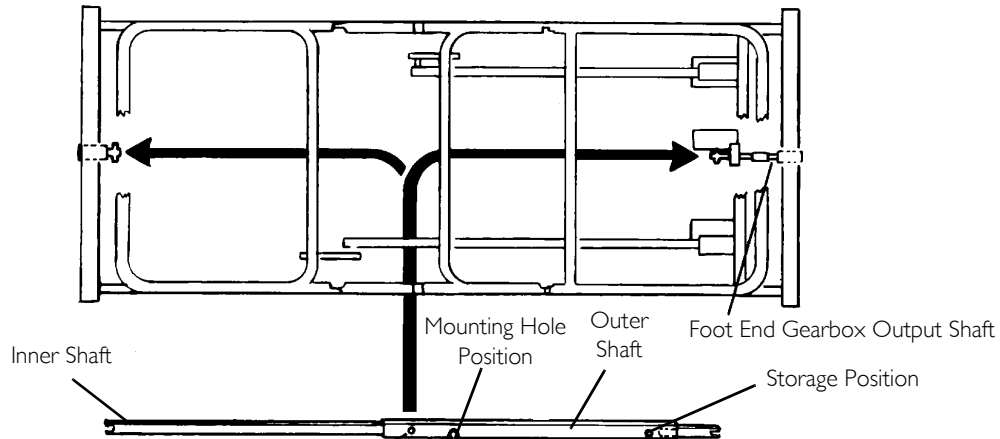


FIGURE 6 Installing the Drive Shaft Assembly



Yes, you can.®

Invacare Corporation

USA and Canada:
One Invacare Way
Elyria, Ohio USA
44036-2125

For Customer Service, call
800-333-6900

www.invacare.com

Manufacturing Location:
2101 E. Lake Mary Blvd
Sanford, Florida USA
32773

All rights reserved. Trademarks are identified by the symbols ™ and ®. All trademarks are owned by or licensed to Invacare Corporation or its subsidiaries unless otherwise noted.

© 2009 Invacare Corporation

Part No 1163644

Rev A - 7/09

