

# 182-31

## SERIES

Discharge Rate:  
**0.80-0.90CC**



### Nozzle Option



Spray/Spray    Spray/Stream    Foam

### Trigger Option

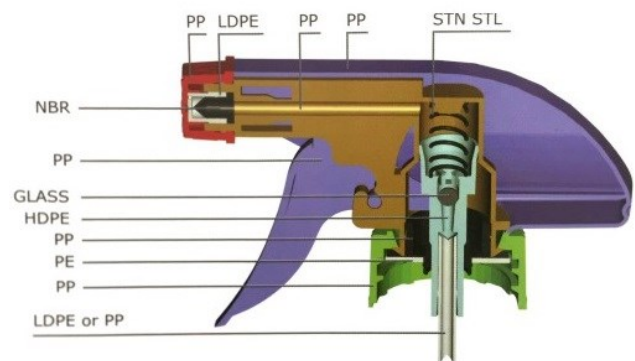


A    B    C  
Matte

### Closure Option



28/400    28/410    28/415    28/410  
Ratchet Closure





**18231-1090**

Discharge Rate: 0.80-0.90CC



**18231-2090**

Discharge Rate: 0.80-0.90CC



**18231-3090**

Discharge Rate: 0.80-0.90CC



**18231-4090**

Discharge Rate: 0.80-0.90CC



**18231-5090**

Discharge Rate: 0.80-0.90CC



**18231-6090**

Discharge Rate: 0.80-0.90CC



**18231-7090**

Discharge Rate: 0.80-0.90CC



**18231-8090**

Discharge Rate: 0.80-0.90CC



**18231-9090**

Discharge Rate: 0.80-0.90CC



**18231-10090**

Discharge Rate: 0.80-0.90CC



**18231-11090**

Discharge Rate: 0.80-0.90CC



**18231-12090**

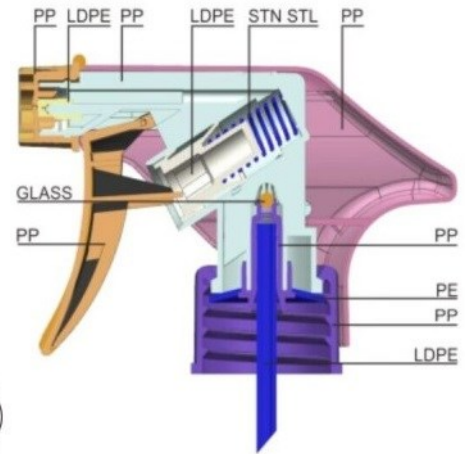
Discharge Rate: 0.80-0.90CC

# 182-35

## SERIES

Discharge Rate:  
**0.90-1.00CC**

Closure Option



**18235-1100**

Discharge Rate: 0.90-1.00CC



**18235-2100**

Discharge Rate: 0.90-1.00CC



**18235-9100**

Discharge Rate: 0.90-1.00CC



**18235-11100**

Discharge Rate: 0.90-1.00CC

# 182-35

## SERIES

Discharge Rate:  
**0.90-1.00CC**

Closure Option



28/400



28/410



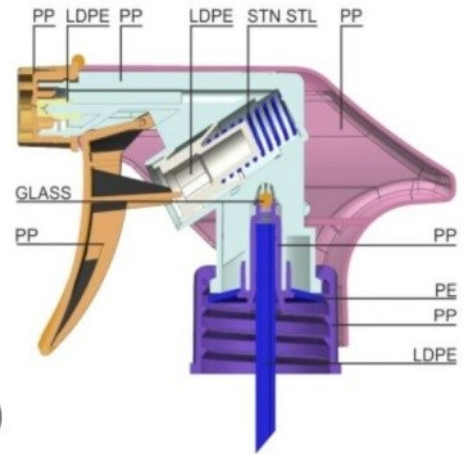
28/412



28/415



28/410  
Ratchet Closure



**18235-5100**

Discharge Rate: 0.90-1.00CC



**18235-7100**

Discharge Rate: 0.90-1.00CC



**18235-12100**

Discharge Rate: 0.90-1.00CC



**18235-13100**

Discharge Rate: 0.90-1.00CC



# 182-35

## SERIES

Discharge Rate:  
**0.90-1.00CC**

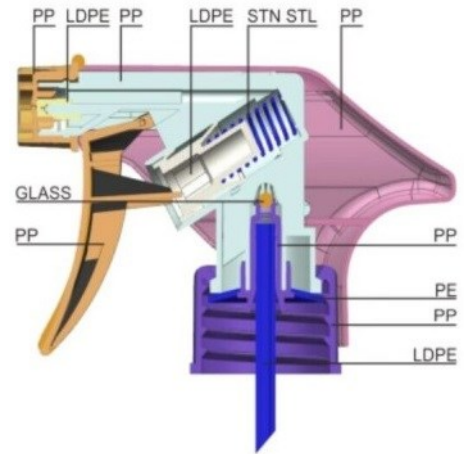
### Closure Option



28/400

28/410

28/415



**18235-14100**

Spec: 28/400, 28/410, 28/415  
Discharge Rate: 0.90-1.00CC



**18235-15100**

Spec: 28/400, 28/410, 28/415  
Discharge Rate: 0.90-1.00CC

# 182-36

## SERIES



Foam A

**18236-1100**

Spec: 28/400, 28/410, 28/415,  
28/410 Ratchet  
Discharge Rate: 0.90-1.00CC



Foam B

**18236-1100**

Spec: 28/400, 28/410, 28/415,  
28/410 Ratchet  
Discharge Rate: 0.90-1.00CC



**18236-1100**

Spec: 28/400, 28/410, 28/415,  
28/410 Ratchet  
Discharge Rate: 0.90-1.00CC



**18236-2140**

Spec: 28/400, 28/410, 28/415,  
28/410 Ratchet  
Discharge Rate: 1.20-1.40CC

# 182-36

## SERIES



All plastic

**18236-2P140**

Spec: 28/400, 28/410, 28/415,  
28/410 Ratchet  
Discharge Rate: 1.20-1.40CC



**18236-3150**

Spec: 28/400, 28/410, 28/415,  
28/410 Ratchet  
Discharge Rate: 1.30-1.50CC



**18236-4200**

Spec: 28/400, 28/410, 28/415,  
28/410 Ratchet  
Discharge Rate: 2.00CC



All plastic

**18236-5P130**

Spec: 28/410  
Discharge Rate: 1.20-1.30CC



# 182-36

## SERIES



**18236-6P130**

Spec: 28/400, 28/410  
Discharge Rate: 1.20-1.30CC



**18236-7140**

Spec: 28/400, 28/410  
Discharge Rate: 1.20-1.40CC



**18236-8090**

Spec: 28/410  
Discharge Rate: 0.90CC



**18236-9120**

Spec: 28/400, 28/410, 28/415,  
28/410 Ratchet  
Discharge Rate: 1.00-1.20CC

# 182-36

## SERIES



**18236-10150**

Spec: 28/400, 28/410, 28/415,  
28/410 Ratchet  
Discharge Rate: 1.30-1.50CC



**18236-11120**

Spec: 28/400, 28/410, 28/415,  
28/410 Ratchet  
Discharge Rate: 1.00-1.20CC



**18236-12P120**

Spec: 28/410  
Discharge Rate: 1.00-1.20CC



28/400



28/410



28/415



28/410 Ratchet closure



# 182-32 & 182-33

## SERIES



**18232-1140**

Spec: 28/400, 28/410, 28/415  
Discharge Rate: 1.00-1.40CC



**18232-2140**

Spec: 28/400, 28/410, 28/415  
Discharge Rate: 1.00-1.40CC



**18232-3330**

Spec: 28/400  
Discharge Rate: 3.30CC



**18233-1110**

Spec: 28/400, 28/410, 28/415,  
Discharge Rate: 0.80-1.10CC

# 182-33

## SERIES



**18233-2110**

Spec: 28/400, 28/410  
Discharge Rate: 0.80-1.00CC



**18233-3110**

Spec: 28/400, 28/410  
Discharge Rate: 0.80-1.10CC



**18233-4110**

Spec: 28/400, 28/410  
Discharge Rate: 0.80-1.10CC



**Options for All plastic:**  
18239-1030, 18239-2030,  
18239-3030, 18239-4030,  
18239-5030, 18239-6A100,  
18239-9030



**Options for 360° sprayer:**  
18239-1030, 18239-2030,  
18239-4030, 18239-5030,  
18239-9030



**18239-1030**

Spec: 20/410, 24/410, 24/415,  
28/410  
Discharge Rate: 0.25-0.30CC



**18239-2030**

Spec: 20/410, 24/410, 24/415,  
28/410  
Discharge Rate: 0.25-0.30CC





**18239-3030**

Spec: 20/410, 24/410, 24/415,  
28/410  
Discharge Rate: 0.25-0.30CC



**18239-4030**

Spec: 20/410, 24/410, 24/415,  
28/410  
Discharge Rate: 0.25-0.30CC



**18239-5030**

Spec: 20/410, 24/410, 24/415,  
28/410  
Discharge Rate: 0.25-0.30CC



Ribbed/Smooth

**18239-6100**

Spec: 24/410, 28/410  
Discharge Rate: 0.80-1.00CC



**18239-6A060**

Spec: 24/410, 28/410  
Discharge Rate: 0.50-0.60CC



**18239-7016**

Spec: 20/410, 24/410  
Discharge Rate: 0.13-0.16CC



**18239-8019**

Spec: 24/410  
Discharge Rate: 0.16-0.19CC



**18239-9030**

Spec: 20/410, 24/410, 24/415,  
28/410  
Discharge Rate: 0.25-0.30CC