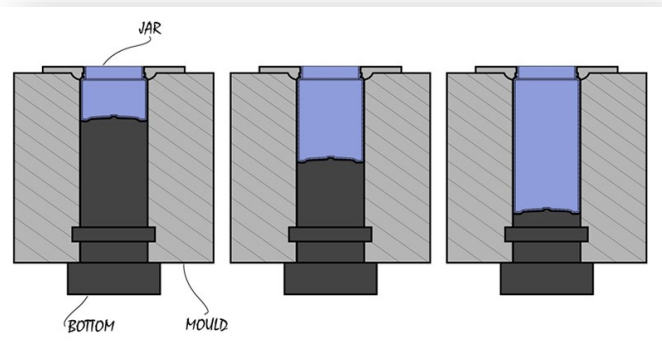


Adjustable Moulded PET jars: Are produced using moulds with adjustable bases. With a fixed diameter, it is possible to change the height (& therefore the nominal fill) of the jar base by adjusting the bottom of the mould.



Adjustable Moulded PET jars are available in 37/400, 43/400, 56/400, 63/400, 68/400 & 89/400 neck sizes.

If none of the current moulds listed meet your requirements, a new size jar can be developed by adjusting the height of the container.



37/400

ADJUSTABLE MOULDED PET JARS

Item No.	Neck Size	Capacity (mL)	Height (mm)	Diameter (mm)
115GK3701038	37/400 & 38/400	30	38	41
115GK3702057		60	57.4	
115GK3703097		100	97.1	

Capacity: 30mL
Neck Size: 37/400
Size (L*W*H):
41mm*41mm*38mm
N.W: 8g

115GK3701038



Capacity: 60mL
Neck Size 38/400
Size (L*W*H):
41mm*41mm*57.4mm
N.W: 10g



115GK3702057

Capacity: 100mL
Neck Size: 38/400
Size (L*W*H):
41mm*41mm*97mm
N.W: 12gm



115GK3703097

43/400

ADJUSTABLE MOULDED PET JARS

Item No.	Neck Size	Capacity (mL)	Height (mm)	Diameter (mm)
115GK4301076	43/400	90	76.8	47
115GK4302090		110	90	
115GK4303093		120	93.9	
115GK4304110		145	110	
115GK4305114		150	114	
115GK4306130		180	130.2	
115GK4307147		200	147.2	
115GK4308160		210	160.5	
115GK4309_H1167		240	167	
115GK4309_H2172		240	172.6	

47/400


115GK4701041

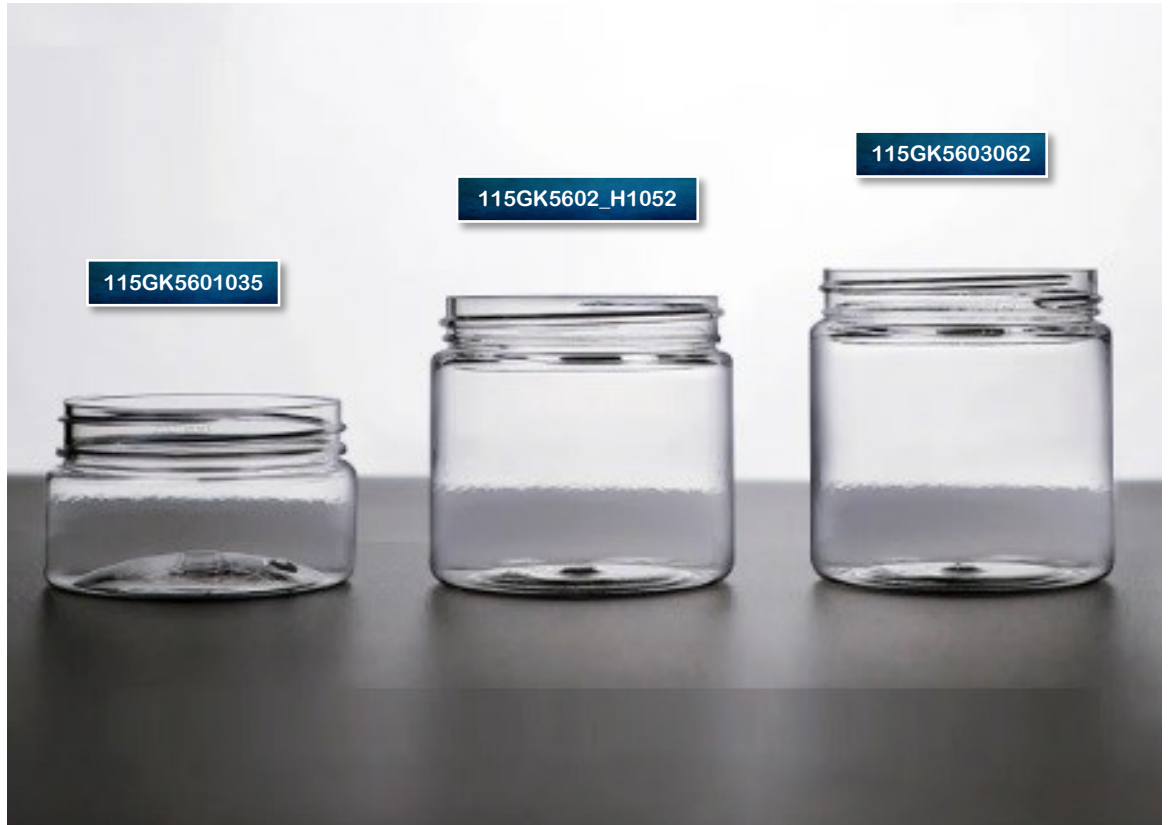
115GK4702047

ADJUSTABLE MOULDED PET JARS

Item No.	Neck Size	Capacity (mL)	Height (mm)	Diameter (mm)
115GK4701041	47/400	50	41	51
115GK4702047		60	47	
115GK4703057		80	57	


115GK4703057

56/400



ADJUSTABLE MOULDED PET JARS				
Item No.	Neck Size	Capacity (mL)	Height (mm)	Diameter (mm)
115GK5601035	56/400	50	35.5	60
115GK5602_H1052		100	52.3	
115GK5602_H2057		100	57.6	
115GK5603062		120	62	

63/400


ADJUSTABLE MOULDED PET JARS				
Item No.	Neck Size	Capacity (mL)	Height (mm)	Diameter (mm)
115GK6301055	63/400	120	55	47
115GK6302097		300	97	
115GK6303115		360	115	
115GK6304149		480	149.3	

68/400

ADJUSTABLE MOULDED PET JARS

Item No.	Neck Size	Capacity (mL)	Height (mm)	Diameter (mm)
115GK6801030	68/400	70	30	71
115GK6802032		80	32.6	
115GK6803040		100	40	
115GK6804043		110	43	
115GK6805048		120	48.5	
115GK6806054		150	54	
115GK6807060		180	60.2	
115GK6808067		200	67.6	
115GK6809082		250	82	



Capacity: 70mL
Neck Size: 68/400
Size (L*W*H):
71mm*71mm*30mm
N.W: 16gm

115GK6801030



Capacity: 80mL
Neck Size: 68/400
Size (L*W*H):
71mm*71mm*32.6mm
N.W:16gm

115GK6802032



Capacity: 100mL
Neck Size: 68/400
Size (L*W*H):
71mm*71mm*40mm
N.W: 16gm

115GK6803040



Capacity: 120mL
Neck Size: 68/400
Size (L*W*H):
71mm*71mm*48.5mm
N.W: 16gm

115GK6805048



Capacity: 150mL
Neck Size: 68/400
Size (L*W*H):
71mm*71mm*54mm
N.W: tba



115GK6806054

Capacity: 200mL
Neck Size: 68/400
Size (L*W*H):
67.6mm*67.6mm*71mm
N.W: 26g



115GK6808067

Capacity: 250mL
Neck Size: 68/400
Size (L*W*H):
71mm*71mm*82mm
N.W: 26gm



115GK6809082

89/400

ADJUSTABLE MOULDED PET JARS

Item No.	Neck Size	Capacity (mL)	Height (mm)	Diameter (mm)
115GK8901033	89/400	120	33.2	93
115GK8902047		200	47.4	
115GK8903051		250	51.2	
115GK8904061		300	61.3	
115GK8905066		350	66.7	
115GK8906082		480	82.3	
115GK8907105		600	105.5	
115GK8908141		750	141.3	
115GK8909183		1000	183.7	
115GK8910072		400	72.3	

Capacity: 200mL
Neck Size: 89/400
Size (L*W*H):
93mm*93mm*47mm
N.W: 23g



115GK8902047

Capacity: 250mL
Neck Size: 89/400
Size (L*W*H):
93mm*93mm*51mm
N.W: 35g



115GK8903051

Capacity: 300mL
Neck Size: 89/400
Size (L*W*H):
93mm*93mm*61mm
N.W: 35g



115GK8904061

Capacity: 350mL
Neck Size: 89/400
Size (L*W*H):
93mm*93mm*66mm
N.W: 35g



115GK8905066

Capacity: 480mL
Neck Size: 89/400
Size (L*W*H):
93mm*93mm*
82mm
N.W: 46g

115GK8906082



Capacity: 600mL
Neck Size: 89/400
Size (L*W*H):
93mm*93mm*106mm
N.W: 46gm

115GK8907105



Capacity: 750mL
Neck Size: 89/400
Size (L*W*H):
93mm*93mm*141.3mm
N.W: tba



115GK8908141



LOW PROFILE JARS				
Item No.	Neck Size	Capacity (mL)	Height (mm)	Diameter (mm)
1150320-ZD030	37/400	20	30	40.5
1150155041	37/400	35	41.5	40
115093070	56/400	150	70	60
1150325-ZD054	68/400	150	54	72
1150375-ZD054	68/400	150	54	72
1150376-ZD061	89/400	300	61.5	92.5
1150152085	98/400	500	85	102
1150234077	98/400	500	77	102
1150264-ZD152	63/400	500	152	70
1150377-ZD082	89/400	500	82.5	92.5
1150118-ZD101	110/400	1000	101	115
1150242175	89/400	1000	175	92
1150265121	110/400	1000	121.5	115

Capacity: 35mL
Neck Size: 37/400
Size (L*W*H):
40mm*40mm*41.5mm
N.W: 8g

1150155041



Capacity: 150ml
Neck Size: 56/400
Size(L*W*H): 60*60*70mm
N.W: 19g

115093070



Capacity: 500ml
Neck Size: 98/400
Size(L*W*H): 102*102*85mm
N.W: 58g



1150152085

Capacity: 500ml
Neck Size: 98/400
Size(L*W*H):
102mm*102mm*77mm
N.W: 58g



1150234077

Capacity: 1000ml
Neck Size: 110/400
Size(L*W*H):
115mm*115mm*121.5mm
N.W: 75g



1150265121


SLIM TALL JARS

Item No.	Neck Size	Capacity (mL)	Height (mm)	Diameter (mm)
1150101079	47	120	79	50
1150112134	89	750	134	93
1150176162	89	1000	162	92
1150181190	89	1100	190	92



115TW30A034

115TW30B041

115TW50A043



115TW50B050

115TW80A042

115TW120050

THICK-WALL PET JARS

Item No.	Neck Size	Capacity (mL)	Height (mm)	Diameter (mm)
115TW30A034	47/400	30	34	51
115TW30B041	47/400	30	41.5	51
115TW50A043	58/400	50	43	61.5
115TW50B050	58/400	50	50	62
115TW80A042	69/400	80	42.5	72
115TW120050	77/400	120	50.5	80


DOMESHAPE JARS

Item No.	Neck Size	Capacity (mL)	Height (mm)	Diameter (mm)
1150127048	47	60	48	50
1150124056	63	120	56	66
1150126063	68	180	63	71
1150125067	77	240	67	80


OTHER SHAPE JARS

Item No.	Neck Size	Capacity (mL)	Height (mm)	Length*Width (mm)
1150194051	68	175	51	80*80
1150146068	77	240	68	86*81
1150180-ZD103	89	750	103	110*110
1150117255	110	4000	255	146*129

CUSTOMIZATION

Colour Options: Jars can be customized with any transparent, semi-transparent or solid colours.



Eco-Packaging Options: 10-100% PCR (Post-Consumer Resin) can be added into all PET plastic jars.



Surface Finish Options: glossy, matte & pearlized.

Decoration Options: UV screen printing, labelling, hot stamping; spray frosting & embossing.





AVAILABLE SIZES OF CAPS:

30/400, 34/400, 37/400, 40/400, 43/400,
44/400, 47/400, 56/400, 63/400, 68/400,
77/400, 83/400, 89/400, 98/400, 110/400

THE COLOUR OF CAPS CAN BE CUSTOMIZED.



SMOOTH-WALL CLOSURES



RIBBED-WALL CLOSURES



MOULDED MATTE PLASTIC CLOSURES



SPRAYED MATTE PLASTIC CLOSURES



PLASTIC CLOSURES with SOFT-TOUCH FINISH



with WATER-TRANSFER PRINTING



METALIZED PLASTIC CLOSURES



PLASTIC CLOSURES with ALUMINIUM SLEEVE



ALUMINIUM CLOSURES