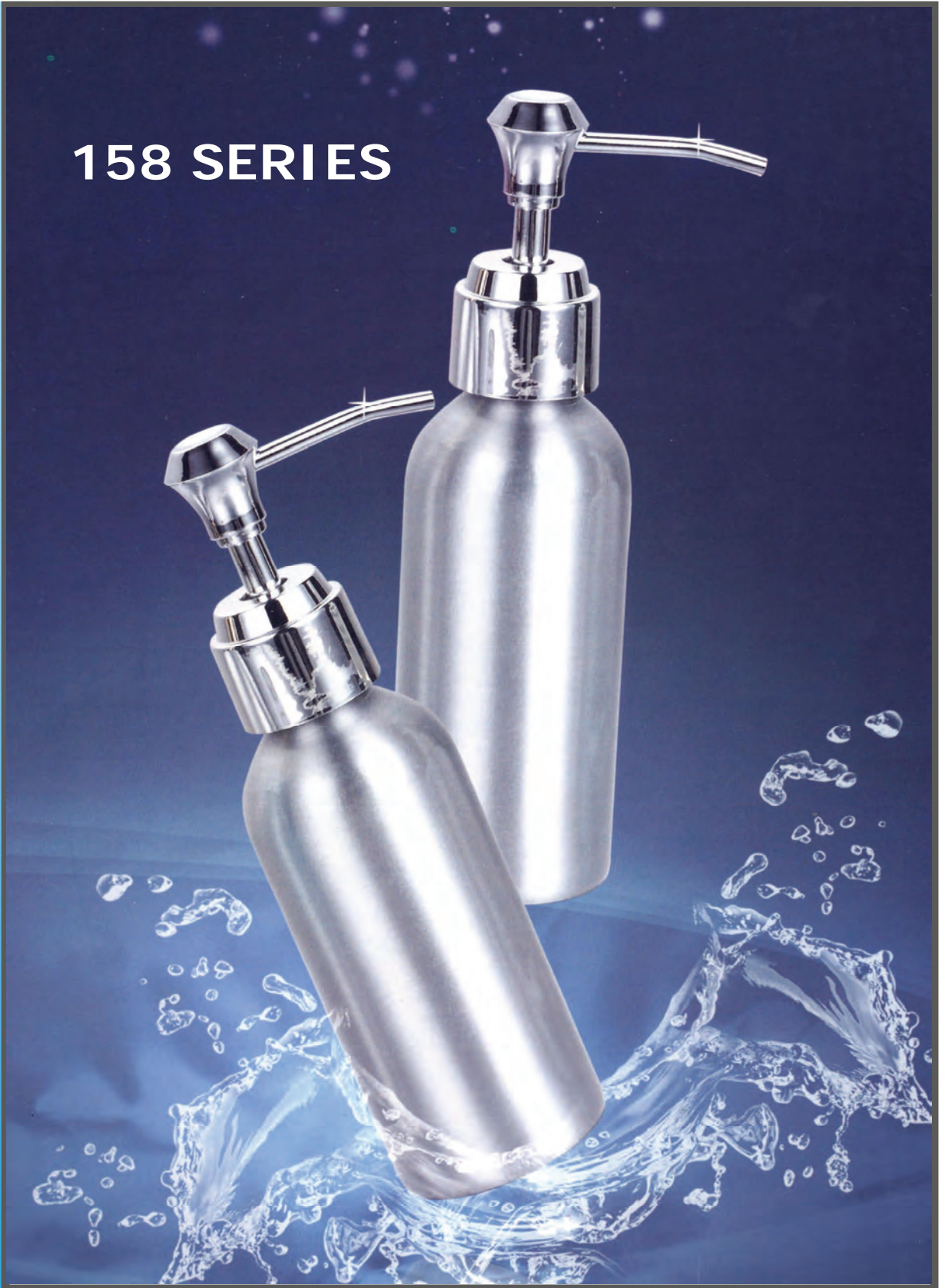
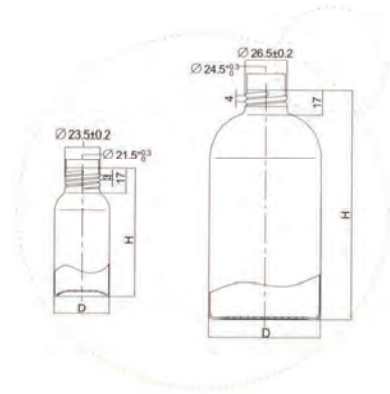


**158 SERIES**



superior solutions





158B-250ML  
Φ73×104MM



158B-400ML  
Φ66×150MM



158B-500ML  
Φ80×160MM



158B-20ML  
Φ26×65MM



158B-100ML  
Φ40×110MM



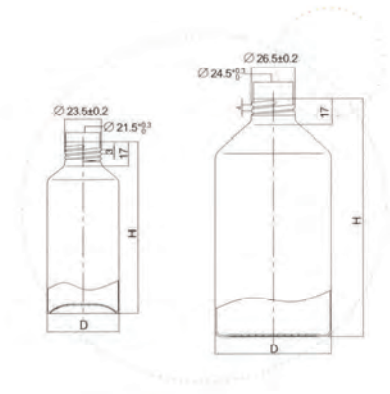
158B-300ML  
Φ50×190MM



Item No / Capacity	Mouth Dia. (MM)	Body Dia. (MM)	Bottle Height (MM)	PCS/CTN	MEAS (CM)
158B-10ML	18	23.5	55	800	42.0 x 42.0 x 13.0
158B-15ML	18	23.5	70	800	51.0 x 51.0 x 17.0
158B-20ML	18	26	65	200	29.5 x 29.5 x 15.0
158B-30ML	20/24	32	76	200	35.5 x 35.5 x 17.5
158B-50ML	20/24	36	83	200	39.5 x 39.5 x 19.0
158B-65ML	20/24	36	94	200	39.5 x 39.5 x 21.0
158B-80ML	20/24	36	106	200	39.5 x 39.5 x 23.0
158B-100ML	20/24	36	130	200	39.5 x 39.5 x 28.0
158B-100ML	20/24	40	110	200	44.0 x 44.0 x 24.0
158B-120ML	20/24	45	115	200	48.5 x 48.8 x 25.0



Item No / Capacity	Mouth Dia. (MM)	Body Dia. (MM)	Bottle Height (MM)	PCS/CTN	MEAS (CM)
158B-150ML	20/24	45	145	200	48.5 x 48.5 x 31.0
158B-200ML	24/28	50	160	200	53.5 x 53.5 x 34.0
158B-240ML	24/28	53	140	200	55.5 x 55.5 x 30.0
158B-250ML	24/28	50	174	200	53.5 x 53.5 x 37.0
158B-250ML	24/28	73	104	96	61.0 x 46.0 x 23.0
158B-300ML	24/28	50	190	200	53.5 x 53.5 x 40.0
158B-350ML	24/28	59	160	96	51.0 x 38.5 x 34.0
158B-400ML	24/28	66	150	96	55.5 x 42.0 x 32.0
158B-500ML	24/28	66	205	96	55.5 x 42.0 x 43.0
158B-500ML	24/28	80	160	80	67.0 x 42.5 x 34.0
158B-750ML	24/28	73	220	96	61.0 x 46.0 x 46.0
158B-1000ML	24/28	80	238	80	67.0 x 42.5 x 50.0



158Z-250ML  
Φ50×174MM



158Z-400ML  
Φ66×150MM



158Z-500ML  
Φ80×160MM



158Z-100ML  
Φ40×110MM



158Z-300ML  
Φ50×190MM



158Z-500ML  
Φ66×205MM



Item No / Capacity	Mouth Dia. (MM)	Body Dia. (MM)	Bottle Height (MM)	PCS/CTN	MEAS (CM)
158 Z-100ML	20/24	36	130	200	39.5 x 39.5 x 28.0
158 Z-100ML	20/24	40	110	200	44.0 x 44.0 x 24.0
158 Z-120ML	20/24	45	115	200	48.5 x 48.5 x 25.0
158 Z-150ML	20/24	45	145	200	48.5 x 48.5 x 31.0
158 Z-200ML	24/28	50	160	200	53.5 x 53.5 x 34.0
158 Z-240ML	24/28	53	140	200	55.5 x 55.5 x 30.0
158 Z-250ML	24/28	50	174	200	53.5 x 53.5 x 37.0
158 Z-300ML	24/28	50	190	200	53.5 x 53.5 x 40.0
158 Z-350ML	24/28	59	160	96	51.0 x 38.5 x 34.0
158 Z-400ML	24/28	66	150	96	55.5 x 42.0 x 32.0
158 Z-500ML	24/28	66	205	96	55.5 x 42.0 x 43.0
158 Z-500ML	24/28	80	160	80	67.0 x 42.5 x 34.0
158 Z-750ML	24/28	73	220	96	61.0 x 46.0 x 46.0
158 Z-1000ML	24/28	80	238	80	67.0 x 42.5 x 50.0



Item No / Capacity	Mouth Dia. (MM)	Body Dia. (MM)	Bottle Height (MM)	PCS/CTN	MEAS (CM)
158J-350ML	24/28	60	210	96	51.0 x 38.5 x 45.0
158J-450ML	24/28	66	210	96	55.5 x 42.0 x 45.0





Item No / Capacity	Mouth Dia. (MM)	Body Dia. (MM)	Bottle Height (MM)	PCS/CTN	MEAS (CM)
158 F-150ML	20/24	45	150	200	48.5 x 48.5 x 32.0
158 F-200ML	24/28	50	165	200	53.5 x 53.5 x 35.0
158 F-250ML	24/28	50	180	200	53.5 x 53.5 x 38.0
158 F-300ML	24/28	66	195	200	53.5 x 53.5 x 41.0
158 F-500ML	24/28	80	170	80	67.0 x 42.5 x 36.0
158F-1000ML	24/28	80	245	80	67.0 x 42.5 x 51.0



158AM-30ML  
Φ28×95MM



158AM-30ML  
Φ32×76MM



158AM-20ML  
Φ26×65MM



158AM-10ML  
Φ19×70MM



158AM-30ML  
Φ28×95MM



158AM-5ML  
Φ13.6×70MM

Item No / Capacity	Mouth Dia. (MM)	Body Dia. (MM)	Bottle Height (MM)	PCS/CTN	MEAS (CM)
158AM-5ML	10	13.6	70	1200	31.5 x 31.5 x 25.0
158AM-10ML	16	19.0	70	800	42.0 x 42.0 x 16.0
158AM-10ML	18	23.5	55	800	51.0 x 51.0 x 13.0
158AM-15ML	18	23.5	70	800	51.0 x 51.0 x 17.0
158AM-20ML	18/20	26.0	65	200	29.5 x 29.5 x 15.0
158AM-30ML	18/20	28.0	95	200	32.0 x 32.0 x 20.0
158AM-30ML	20/24	32.0	76	200	35.5 x 35.5 x 17.5
158AM-50ML	20/24	36.0	83	200	39.5 x 39.5 x 19.0



158AM-20ML  
Φ26×65MM



158AM-20ML  
Φ26×65MM



158AM-10ML  
Φ23.5×55MM



158AM-10ML  
Φ19×70MM



158AM-15ML  
Φ23.5×70MM

Item No / Capacity	Mouth Dia. (MM)	Body Dia. (MM)	Bottle Height (MM)	PCS/CTN	MEAS (CM)
158AM-5ML	10	13.6	70	1200	31.5 x 31.5 x 25.0
158 AM-10ML	16	19.0	70	800	42.0 x 42.0 x 16.0
158 AM-10ML	18	23.5	55	800	51.0 x 51.0 x 13.0
158 AM-15ML	18	23.5	70	800	51.0 x 51.0 x 17.0
158 AM-20ML	18/20	26.0	65	200	29.5 x 29.5 x 15.0
158 AM-30ML	18/20	28.0	95	200	32.0 x 32.0 x 20.0
158 AM-30ML	20/24	32.0	76	200	35.5 x 35.5 x 17.5
158 AM-50ML	20/24	36.0	83	200	39.5 x 39.5 x 19.0



with tamper evident cap



Item No / Capacity	Mouth Dia. (MM)	Body Dia. (MM)	Bottle Height (MM)	PCS/CTN	MEAS (CM)
158 AT-50ML	27	50	65	500	54.0 x 54.0 x 42.0
158AT-100ML	27	50	100	200	53.5 x 53.5 x 24.0
158AT-150ML	27	50	125	200	53.5 x 53.5 x 29.0
158AT-200ML	27	50	160	200	53.5 x 53.5 x 36.0
158AT-250ML	32	59	135	96	51.0 x 38.5 x 31.0
158AT-350ML	32	59	160	96	51.0 x 38.5 x 36.0
158AT-500ML	32	73	176	96	61.0 x 46.0 x 39.5
158AT-1000ML	32	88	230	30	55.5 x 46.0 x 26.0
158AT-1250ML	32	88	260	30	55.5 x 46.0 x 29.0
158AT-2500ML	32	120	290	16	50.0 x 50.0 x 32.0
158 AT-5000ML	47	174.5	340	4	36.0 x 36.0 x 37.0
158 AT-10000ML	47	220	410	4	45.0 x 45.0 x 44.0



Item No / Capacity	Mouth Dia. (MM)	Body Dia. (MM)	Bottle Height (MM)	PCS/CTN	MEAS (CM)
158AL-10ML	18	23.5	55	800	51.0 x 51.0 x 13.0
158AL-15ML	18	23.5	70	800	51.0 x 51.0 x 17.0
158 AL-20ML	18	26.0	65	200	29.5 x 29.5 x 15.0
158 AL-30ML	20/24	32.0	76	200	35.5 x 35.5 x 17.5
158AL-50ML	20/24	36.0	83	200	39.5 x 39.5 x 19.0
158AL-65ML	20/24	36.0	94	200	39.5 x 39.5 x 21.0
158 AL-80ML	20/24	36.0	106	200	39.5 x 39.5 x 23.0
158AL-100ML	20/24	40.0	110	200	44.0 x 44.0 x 24.0



Item No / Capacity	Mouth Dia. (MM)	Body Dia. (MM)	Bottle Height (MM)	PCS/CTN	MEAS (CM)
158AD-10ML	18	23.5	55	800	51.0 x 51.0 x 13.0
158AD-15ML	18	23.5	70	800	51.0 x 51.0 x 17.0
158 AD-20ML	18	26.0	65	200	29.5 x 29.5 x 15.0
158 AD-30ML	20	32.0	76	200	35.5 x 35.5 x 17.5
158AD-50ML	20	36.0	83	200	39.5 x 39.5 x 19.0
158AD-65ML	20	36.0	94	200	39.5 x 39.5 x 21.0
158 AD-80ML	20	36.0	106	200	39.5 x 39.5 x 23.0
158AD-100ML	20	40.0	110	200	44.0 x 44.0 x 24.0



158AC-150G  
Φ80×40MM



158AC-100G  
Φ80×28MM



158AC-80G  
Φ66×35MM



158AC-60G  
Φ66×25MM



158AC-40G  
Φ55×24MM



158AC-30G  
Φ55×19MM



158AC-20G  
Φ40×24MM



158AC-10G  
Φ40×16.5MM

with PVC



158AV-150G  
Φ94×38MM



158AV-100G  
Φ 80×28MM