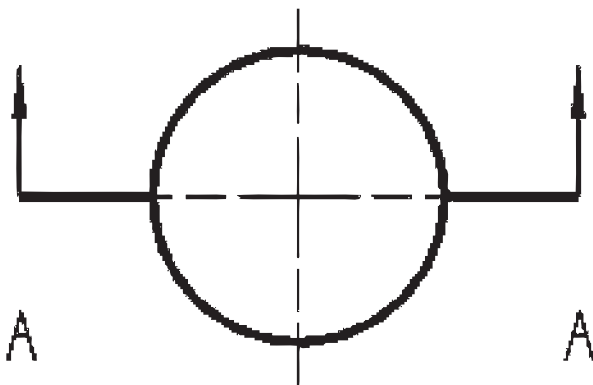
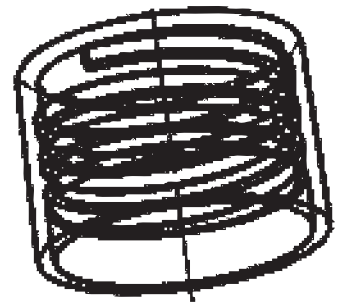
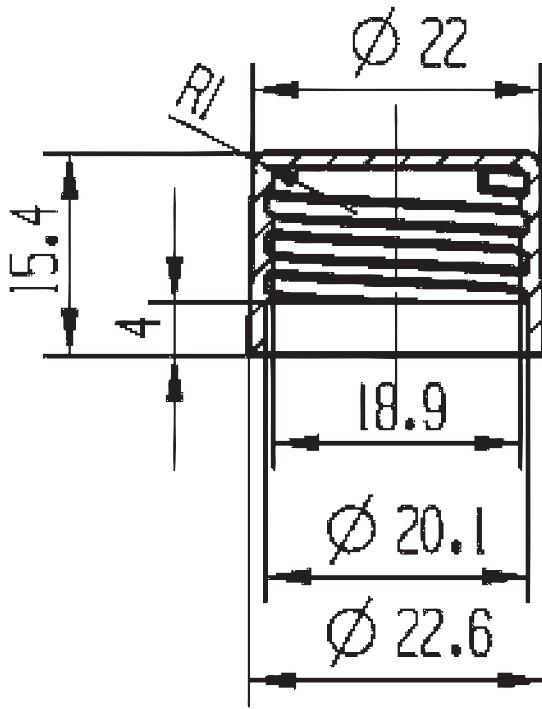


SECTION A - A


TOLERANCES:	0mm - 5mm	+/- 0.05
	6mm - 30mm	+/- 0.10
	30mm - 50mm	+/- 0.20
	>50mm	+/- 0.50

NOT DRAWN TO SCALE

Vision Packaging (Aust.) Pty Limited 16 075 725 576

DRAWING ID: 182capsc20-swll

DATE: 22/11/2016

NAME: SCYX Screw Cap 20/410 Smooth-Wall + PE Wad

NECK: 20/410

MATERIAL: PP Polypropylene

WEIGHT: 1.50g +/- 0.15g

MODEL No.:

UNIT: mm