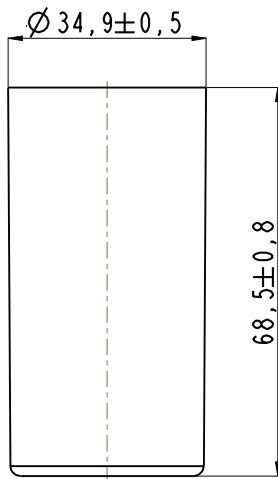


SUGGESTED - LABEL PANEL AREA

GUIDE ONLY. Prior to artwork, labels and other costs, it is imperative to confirm with your chosen labelling method that this guide & sizing is suitable for your use.

Note: All dimensions and tolerances are subject to final product specification.



Bottle circumference = 109.00mm (at top);

≈108.00 (at centre) & 107.00mm (at base)

Note: bottle will taper outwards from the base towards the shoulder of the bottle.

(For best results the label will be approx. 2.00mm longer across the top length).

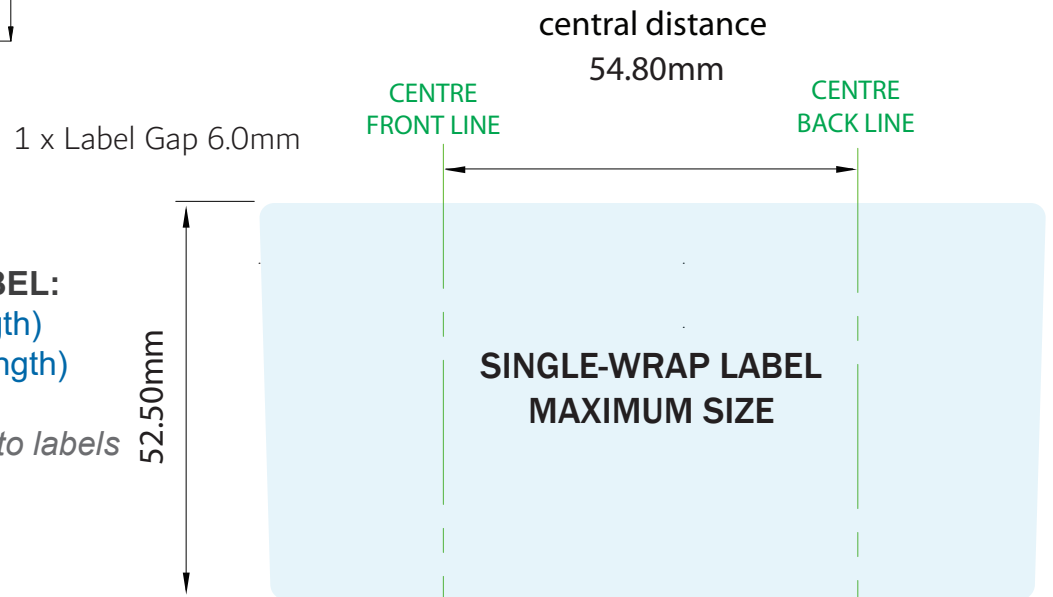
SELF ADHESIVE LABEL:

w. 103.00mm (top length)

w. 101.00mm (base length)

h. 52.50mm

2.0mm radius corners to labels



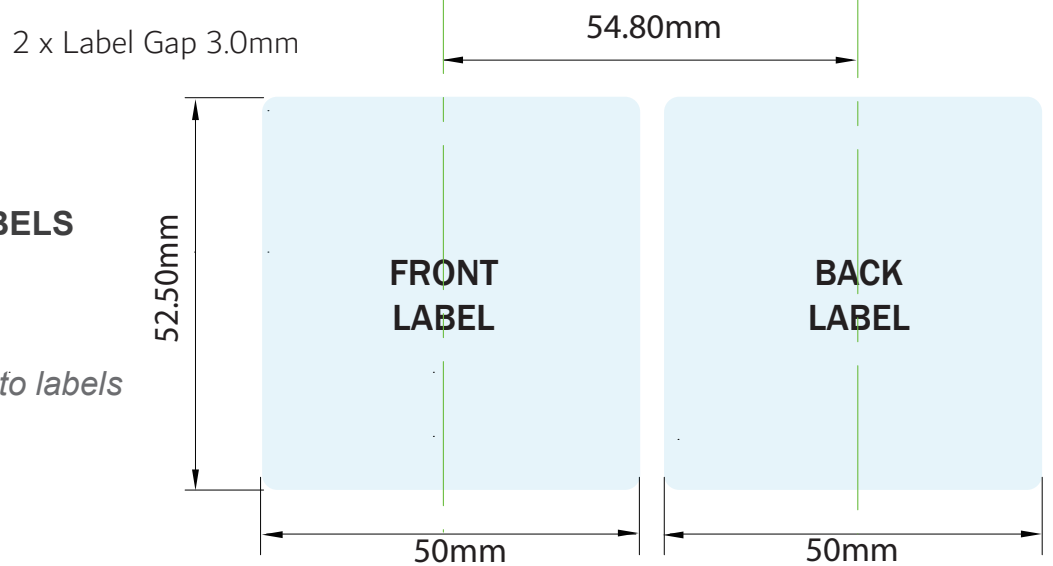
2 x Label Gap 3.0mm

SELF ADHESIVE LABELS (FRONT & BACK):

w. 50.00mm

h. 52.50mm

2.0mm radius corners to labels



**Note: these are suggested maximum sizes only. The labelling does not need to completely fill the maximum decoration panel area, subject to your design requirements.

Vision Packaging (Aust.) Pty Limited 16 075 725 576 DATE: 7/6/2022

NAME: Airless Bottle 30mL Ava Snow Snap-Neck

DRAWING ID: 157avasnowbot0030-ZK217

UNIT: mm