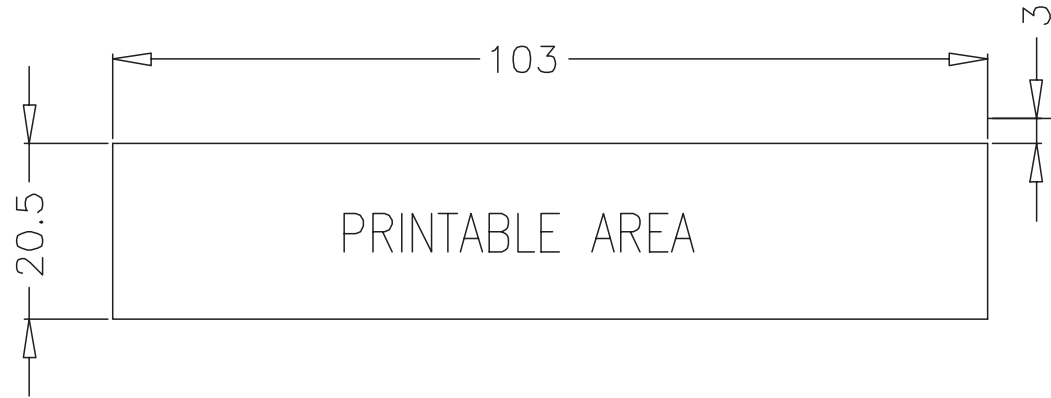
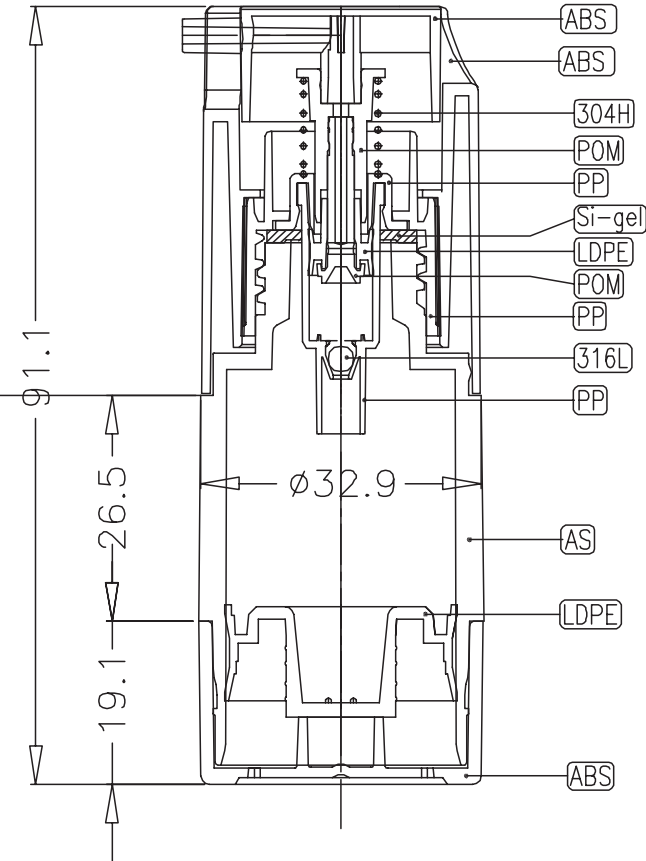


Note: All dimensions and tolerances are subject to final product specification




NOT DRAWN TO SCALE

Please SIZE and SUPPLY Artwork to 100%



TOLERANCE	
X. ± 0.2	X.° ± 0.5°
.X ± 0.05	.X° ± 0.1°
.XX ± 0.01	.XX° ± 0.05°

Vision Packaging (Aust.) Pty Limited 16 075 725 576		DATE: 02/11/2018	
NAME: Airless Bottle 15mL + APJY Airless Lotion Pump with Overcap			
DRAWING ID: 156avakappbot0015-JY102(B) + 156avakappump0015-JY102(B)			
NOMINAL FILL: 15mL		BRIMFUL CAPACITY: TBA	
MODEL No.:	SCALE:	VISUAL ANGLE: 	UNIT: mm