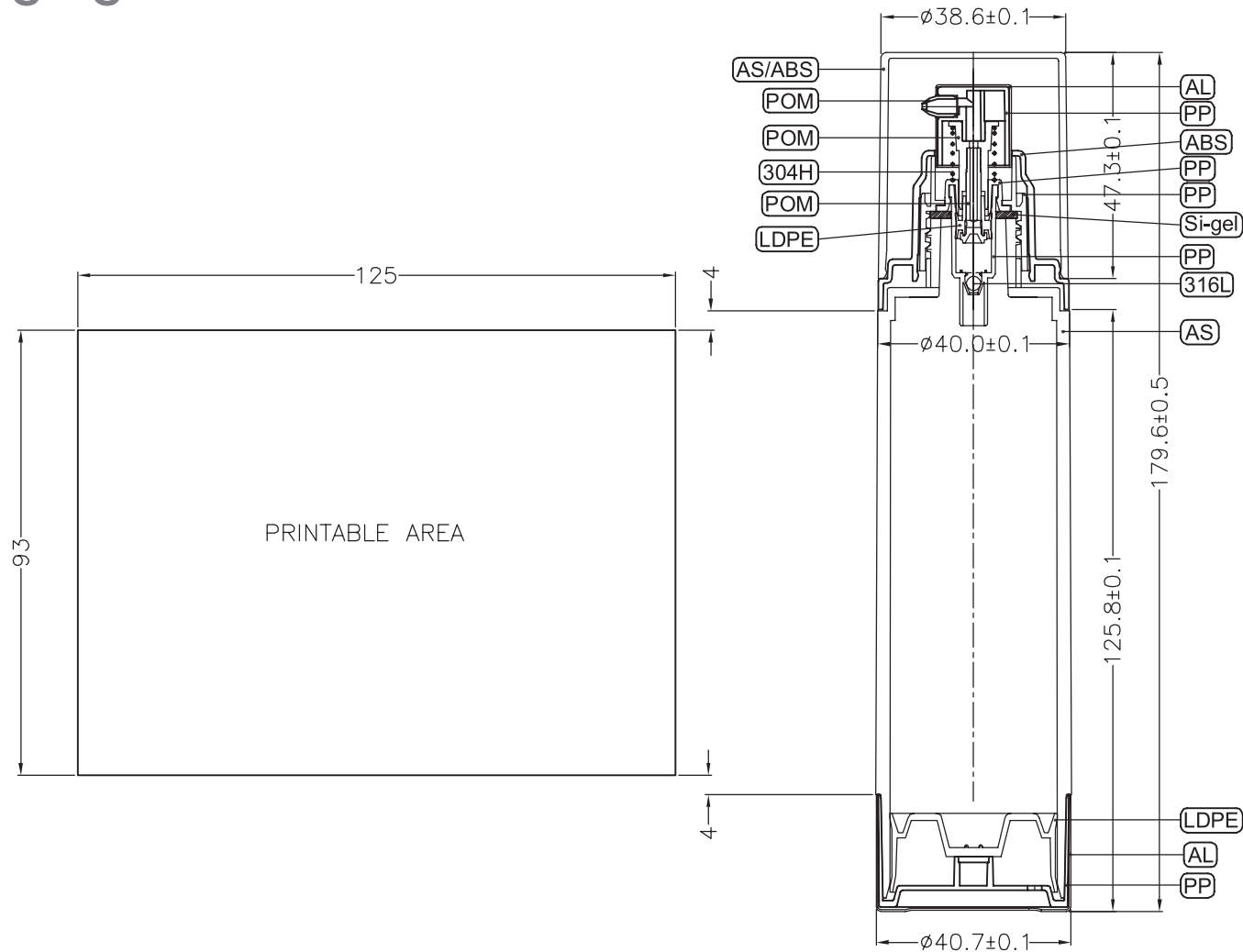


SUGGESTED PRODUCTION PRINT PANEL AREA



Note: All dimensions and tolerances are subject to final product specification

NOT DRAWN TO SCALE
Please SIZE and SUPPLY Artwork to 100%

TOLERANCE	✓		
0mm-15mm	±0.05	±0.10	±0.50
15mm-30mm	±0.05	±0.15	±1.00
30mm-50mm	±0.10	±0.20	±1.50
50mm-99mm	±0.15	±0.30	±2.00
> 99mm	±0.20	±0.40	±2.50
CENTER	±0.10	±0.50	±1.00
ANGLE	±0.25°	±0.50°	±2.00°

Vision Packaging (Aust.) Pty Limited 16 075 725 576

NAME: Airless Bottle 100mL AVA Kapp

DATE: 25/11/2013

DRAWING ID: 156avakappbot0100-JY104D + 156avakappump0100-JY104D

NOMINAL FILL: 100mL

BRIMFUL CAPACITY: TBA ± 2.0mL

MODEL No.:

VISUAL ANGLE:



UNIT: mm