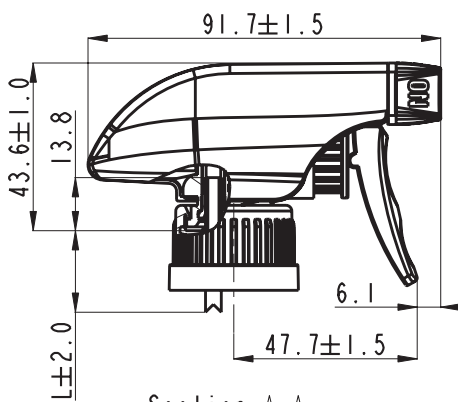


NOT DRAWN TO SCALE



 Section A-A  
 Scale 0.500

13	Trigger	PP	Color for order form	SLM102-13A1	1	
12	Nozzle	PP	Color for order form	SLM102-08G1	1	
11	Spray Valve	LDPE	Natural	SLM101-11B1	1	
10	MBR Valve	MBR	Black	SLM101-85A1	1	
9	Piston	PE	Natural	SLM102-03A1	1	
8	Spring	304H	∅0.9*17.9*5.5circle	SLM102-96A1	1	
7	Shroud	PP	Color for order form	SLM102-07A1	1	
6	Inner Body	PP	Color for order form	SLM102-01A1	1	
5	Glass Ball	Glass	∅4.0	SLM101-97A1	1	
4	Cap Scall Ring	PP	Natural	SLM102-06A1	1	
3	Gasket	PE	∅25.2*1	SLM102-98A1	1	
2	Closure	PP	Color for order form	SLM102-05E1	1	
1	Dip Tube	PP	∅4.1*0.6thickness	SLM102-95A1	1	
No.	Component	Material	Specification	Part No.	QTY	Remark

TOLERANCE	○
0mm-15mm	±0.50
15mm-30mm	±1.00
30mm-50mm	±1.50
50mm-99mm	±2.00
ABOVE 99mm	±2.50
CENTER	±1.00
ANGLER	±2.00°

Vision Packaging (Aust.) Pty Limited 16 075 725 576

NAME : Trigger Spray 28/410 Ribbed E-WAX Closure with Spray/Stream Nozzle

APPROVED:	SCALE: 1:1	VISUAL ANGLE 	Q'TY: 1/1	UNIT: mm
-----------	---------------	---	--------------	----------

DATE: 2009.09.08

PART NO.

MODEL NAME: