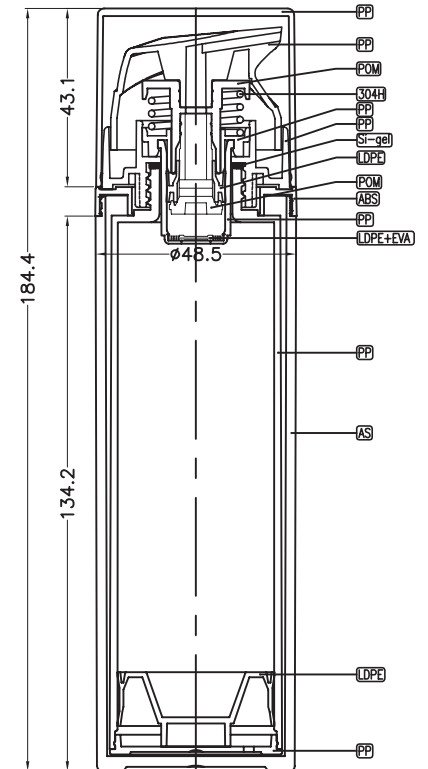
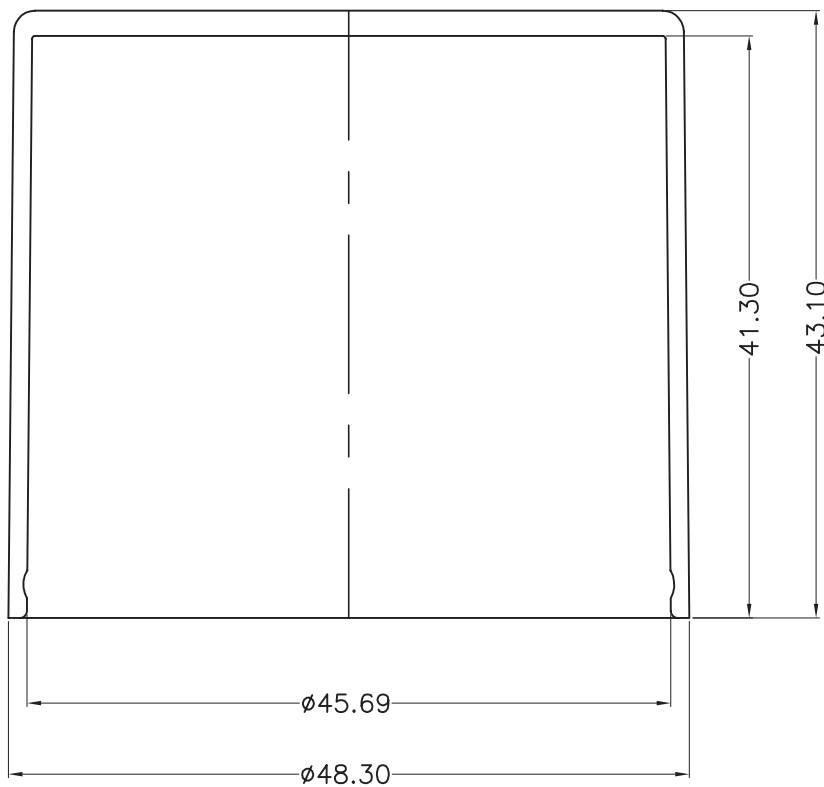


Note: All dimensions and tolerances are subject to final product specification



TOLERANCE	<i>f</i>		
0mm-15mm	±0.05	±0.10	±0.50
15mm-30mm	±0.05	±0.15	±1.00
30mm-50mm	±0.10	±0.20	±1.50
50mm-99mm	±0.15	±0.30	±2.00
> 99mm	±0.20	±0.40	±2.50
CENTER	±0.10	±0.50	±1.00
ANGLE	±0.25°	±0.50°	±2.00°

Vision Packaging (Aust.) Pty Limited 16 075 725 576		NOT DRAWN TO SCALE	
		DATE: 12-02-19	
NAME: Overcap (for Bot 120mL AVA Kapp)			
DRAWING ID: 156avakappocap0120			
MATERIAL:	PP	DISCHARGE RATE:	1.0mL ± 0.020mL
MODEL No:		VISUAL ANGLE	UNIT: mm

