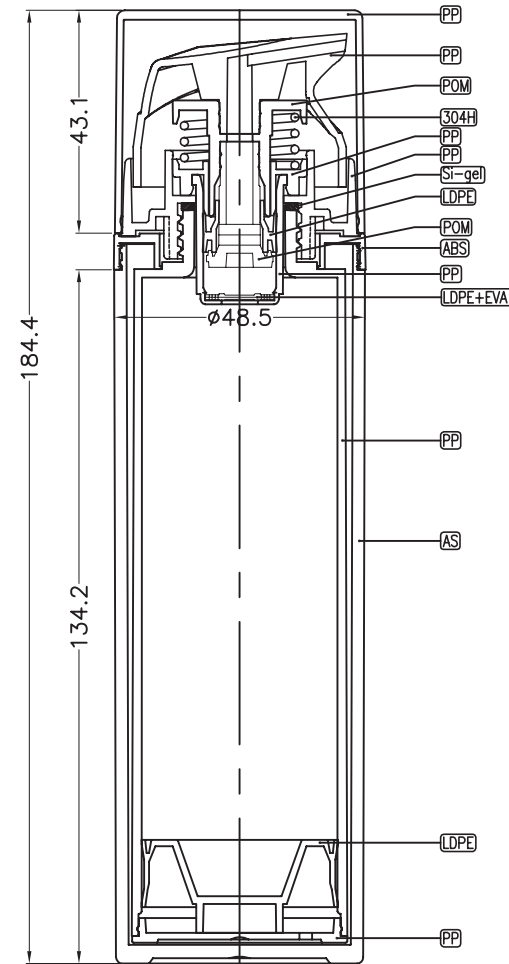
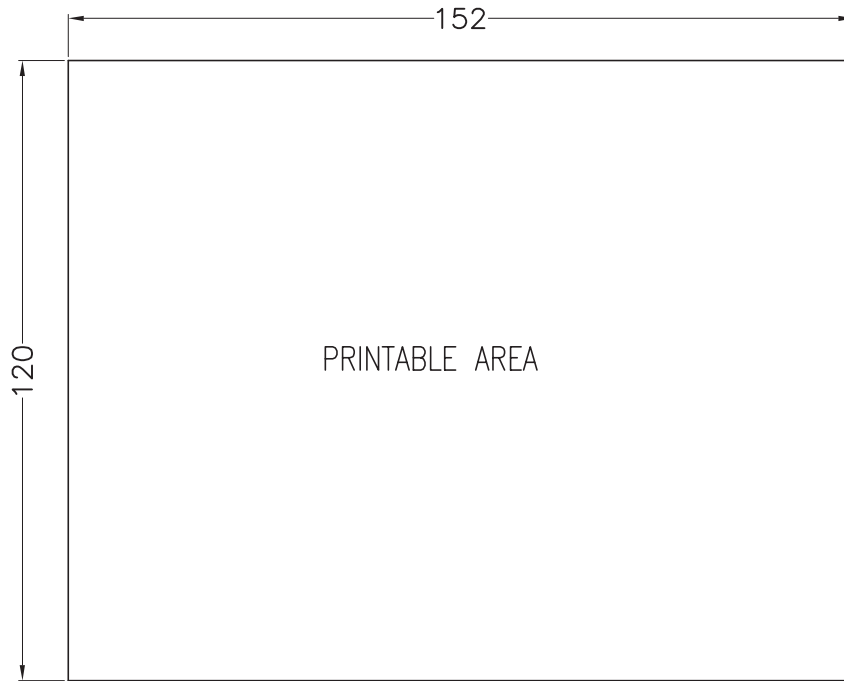



NOT DRAWN TO SCALE
Please SIZE and SUPPLY Artwork to 100%



Note: All dimensions and tolerances are subject to final product specification

TOLERANCE	<i>d</i>		
0mm-15mm	±0.05	±0.10	±0.50
15mm-30mm	±0.05	±0.15	±1.00
30mm-50mm	±0.10	±0.20	±1.50
50mm-99mm	±0.15	±0.30	±2.00
> 99mm	±0.20	±0.40	±2.50
CENTER	±0.10	±0.50	±1.00
ANGLE	±0.25°	±0.50°	±2.00°

Vision Packaging (Aust.) Pty Limited 16 075 725 576		DATE: 12-02-19
NAME: Airless Bottle 120mL AVA Kapp + APJY Lotion Pump & Overcap		
DRAWING ID: 156avakappbot0120 + 156avakappump0120 + 156avakappocap0120		
NOMINAL FILL: 120mL	BRIMFUL CAPACITY: TBA ± 2.0mL	
MODEL No:	VISUAL ANGLE 	UNIT: mm