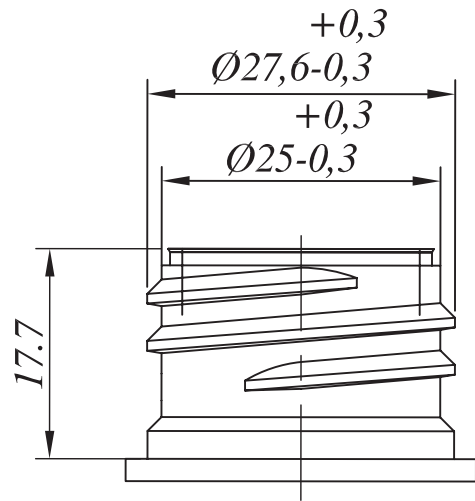
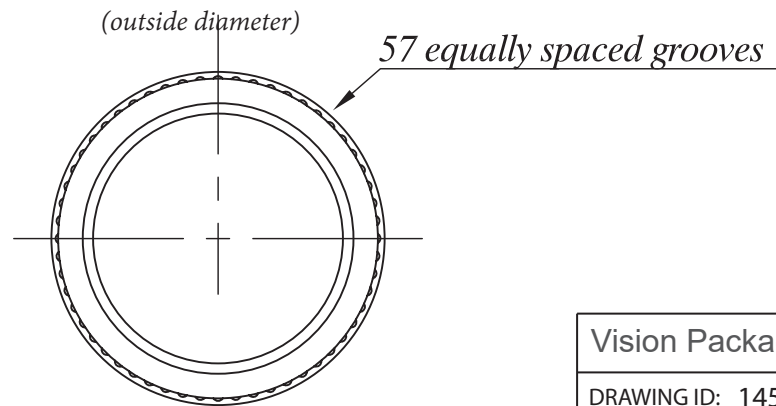
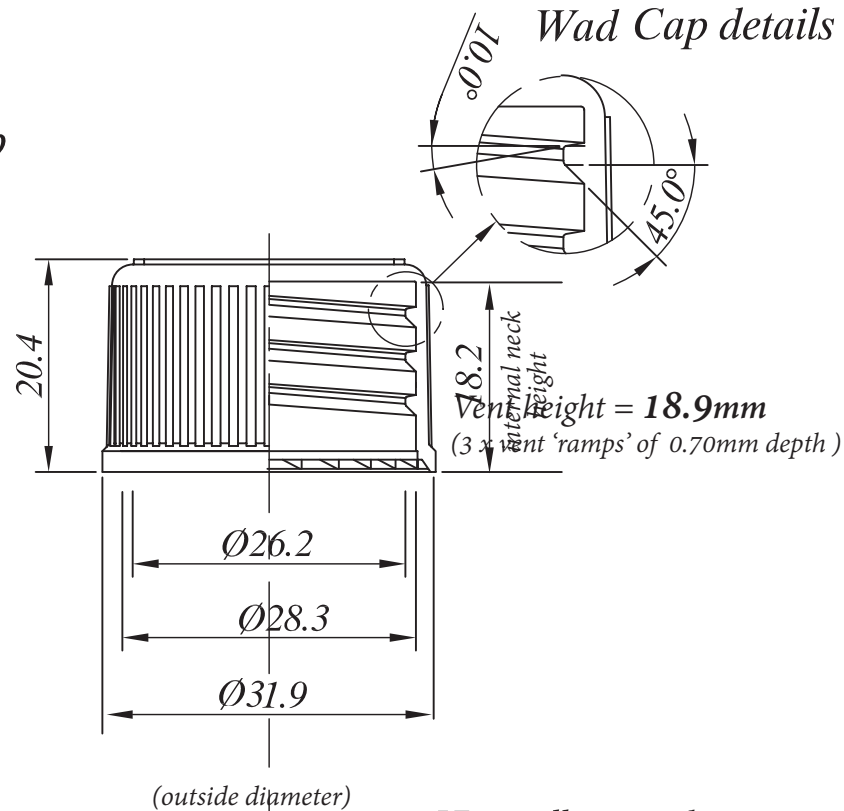


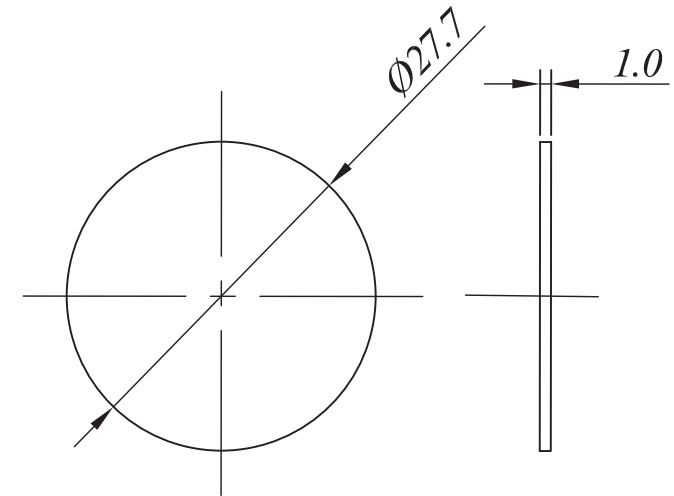
Neck for wadded cap



Pitch 6 TPI
3.0 turns



wad details



NOT DRAWN TO SCALE

Vision Packaging (Aust.) Pty Limited 16 075 725 576		
DRAWING ID: 145capsc28vent-wad		DATE: 07/12/2011
NAME: VCCR Vented Cap 28/410 Ribbed-Wall + PE Wad		
NECK: 28/410	MATERIAL: PP Polypropylene	WEIGHT: 3.5gm +/- 0.5g
MODEL No.:		UNIT: mm