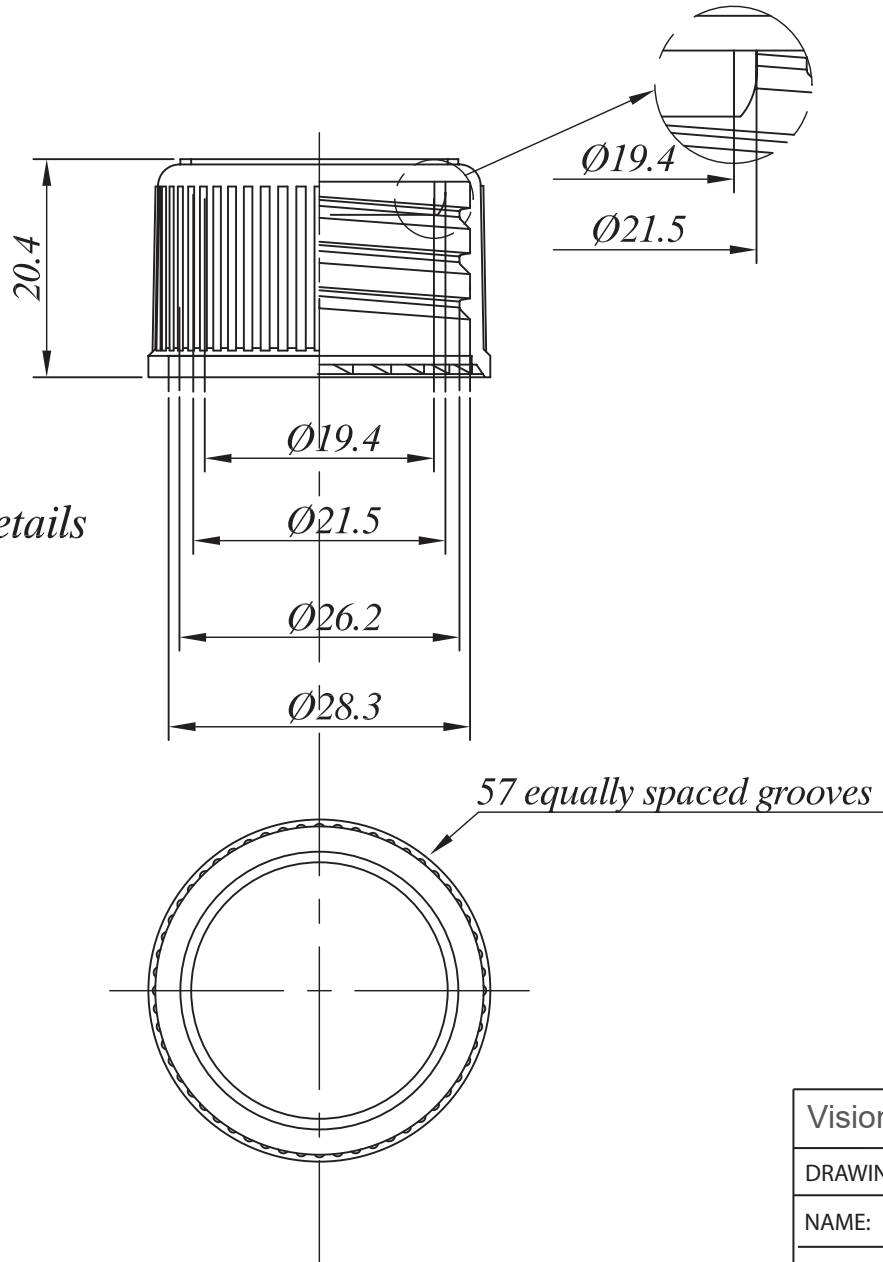
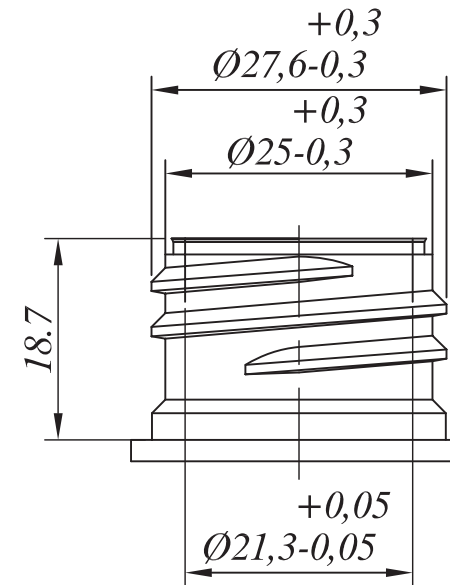


Wedge seal cap details



Neck for wedge cap



NOT DRAWN TO SCALE

Vision Packaging (Aust.) Pty Limited 16 075 725 576		
DRAWING ID: 145capsc28long-wedge		DATE: 07/12/2011
NAME: SCCR Screw Cap 28/410 Ribbed-Wall Wedge-Seal w/ Long-Skirt		
NECK: 28/410	MATERIAL: PP Polypropylene	WEIGHT: 3.0gm +/- 0.2g
MODEL No.:		UNIT: mm

Note: All dimensions and tolerances are subject to final product specification