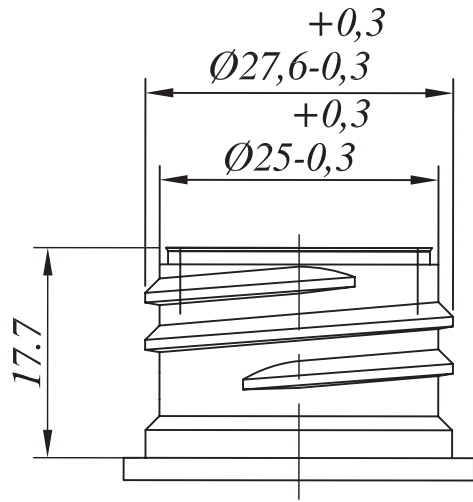
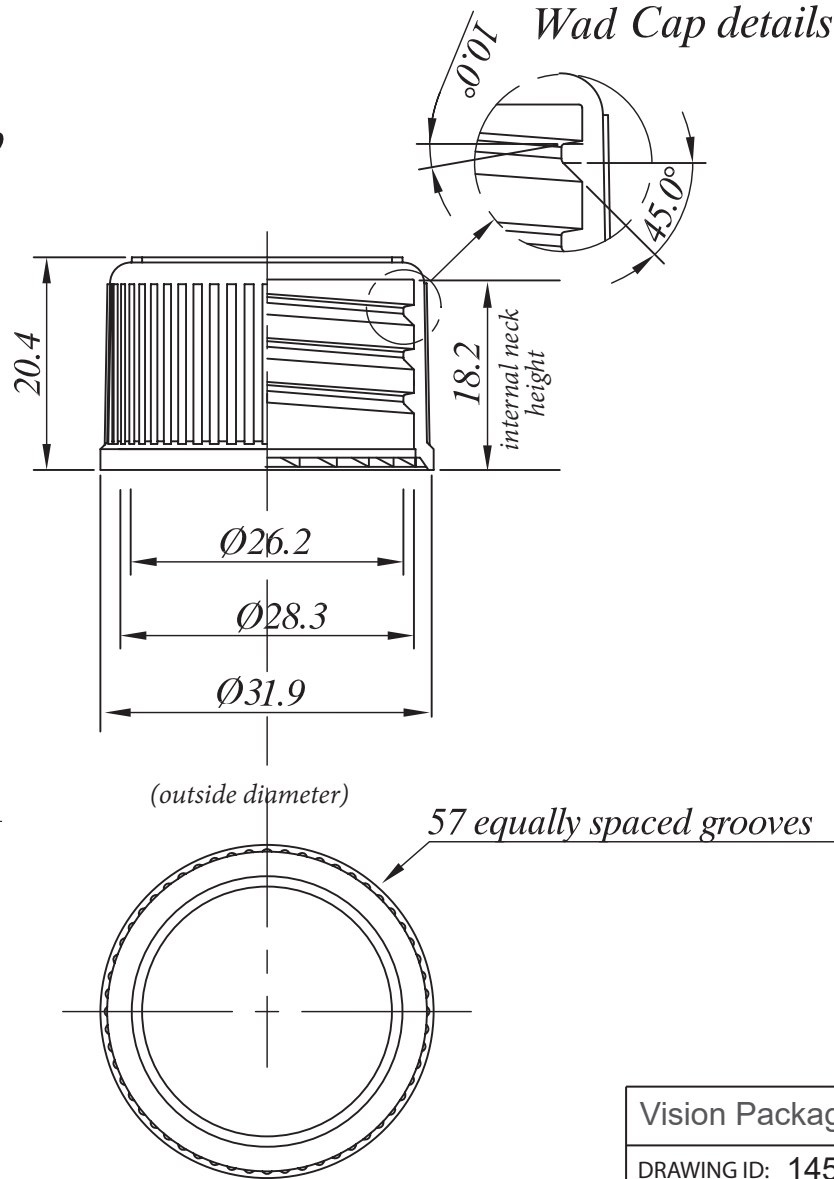


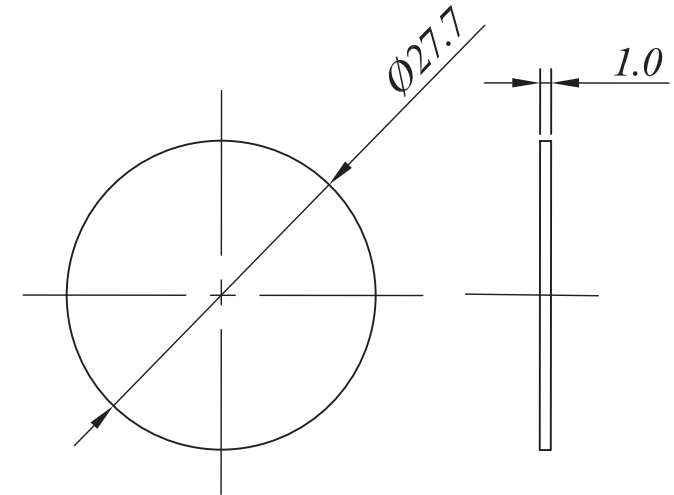
Neck for wadded cap



Pitch 6 TPI
3.0 turns



wad details



NOT DRAWN TO SCALE

Vision Packaging (Aust.) Pty Limited 16 075 725 576		
DRAWING ID: 145capsc28long-wad		DATE: 25/3/2023
NAME: SCCR Screw Cap 28/410 Long Skirt Ribbed-Wall + PE wad		
NECK: 28/410	MATERIAL: PP Polypropylene	WEIGHT: 3.0gm +/- 0.5g
ITEM REFERENCE: 1452841001281		UNIT: mm

Note: All dimensions and tolerances are subject to final product specification