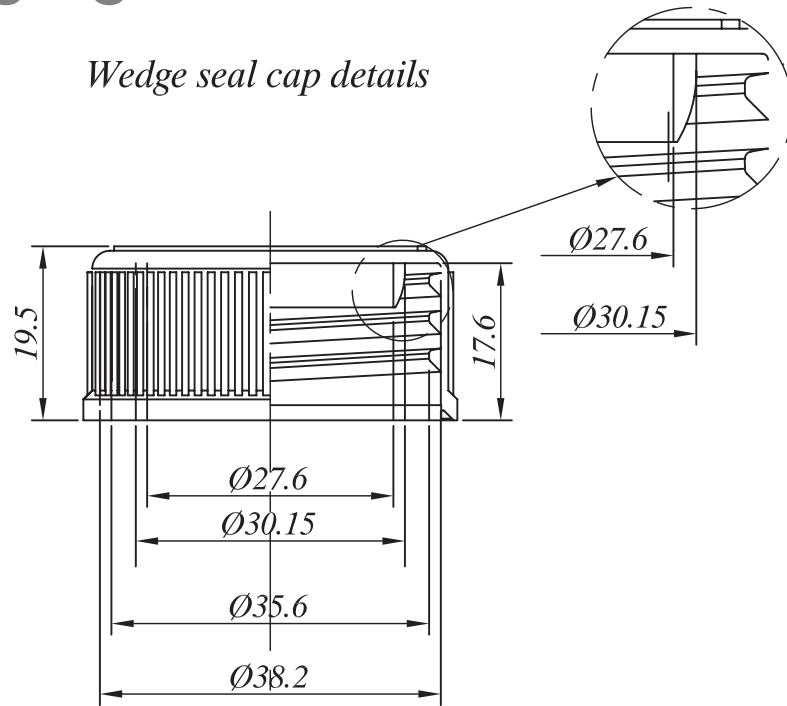
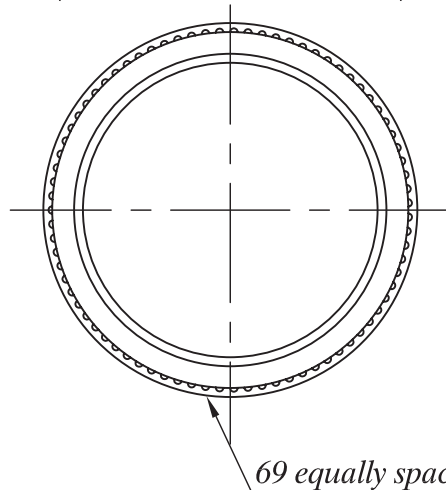


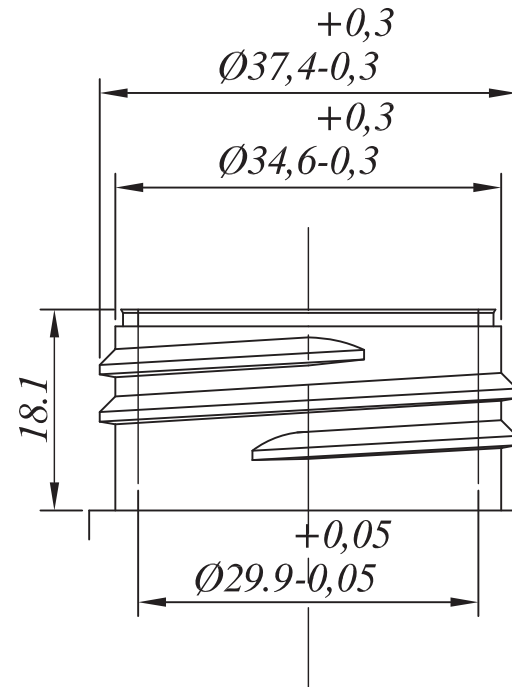
Wedge seal cap details



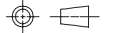
Pitch 6 TPI
2.75 turns



Neck for wedge cap



Note: All dimensions and tolerances are subject to final product specification

Vision Packaging (Aust.) Pty Limited 16 075 725 576			
DRAWING ID: 145capsc38wedge			
NAME: SCCR Screw Cap 38/410 Ribbed-Wall Wedge Seal Fine Grip			
MODEL NO.:		MATERIAL: PPROP	
DATE: 01/11/2018		SHEET: 1 of 1	
		A4	UNIT: mm