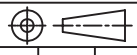


Note: All dimensions and tolerances are subject to final product specification

NOT DRAWN TO SCALE

MM (INCH)			
	✓		
1-4	±0.05	±0.10	±0.30
4-16	±0.07	±0.20	±0.50
16-63	±0.10	±0.30	±0.70
63-250	±0.20	±0.50	±1.20
250-1000	±0.30	±0.80	±2.00

Vision Packaging (Aust.) Pty Limited 16 075 725 576

NAME: Cap FTHB (single piece) Flip Top plastic closure

ITEM: 144capft24

DATE: 24/10/19

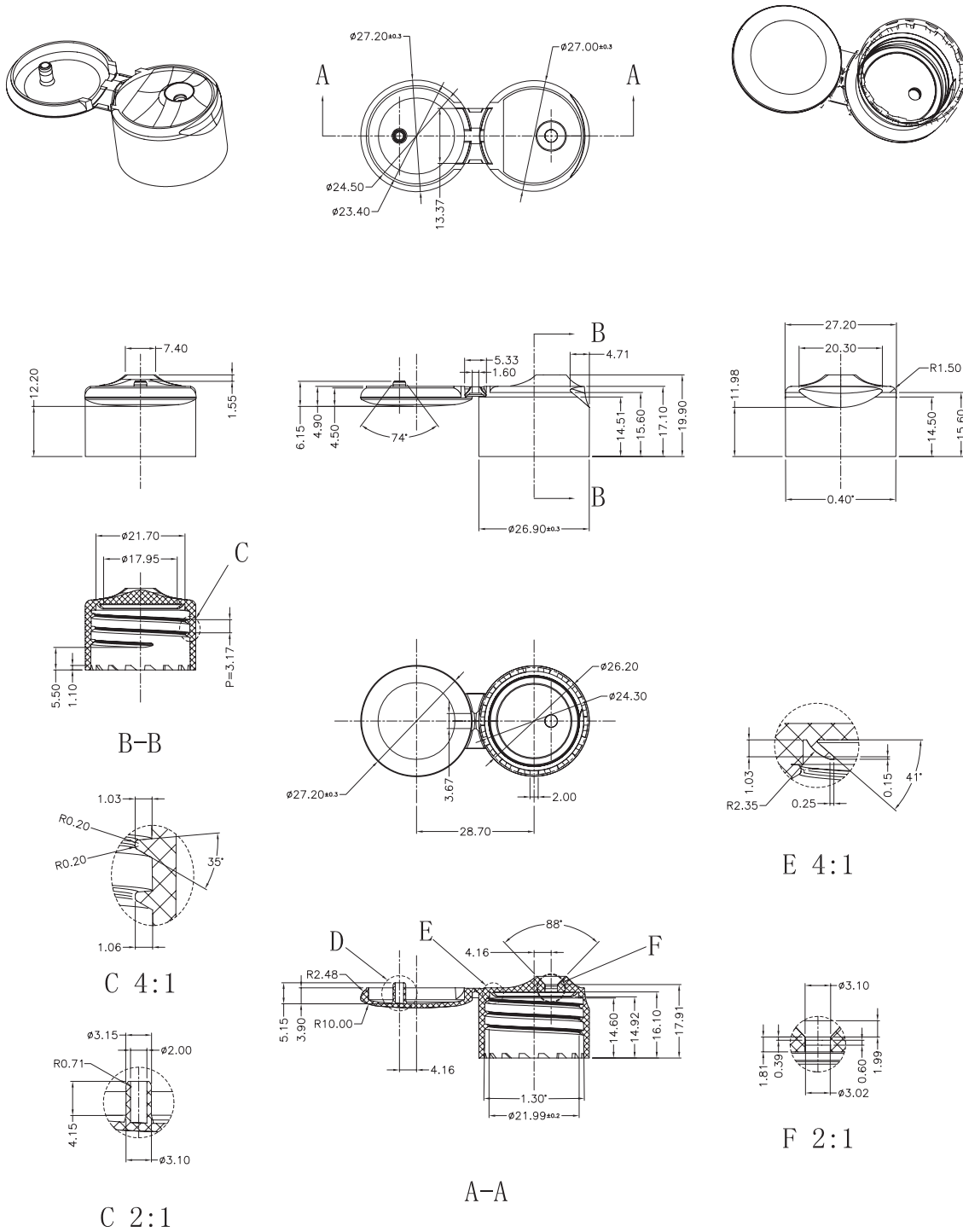
NECK: 24/410

MATERIAL: PP - polypropylene

UNIT: mm

ITEM NO: TBA

1 of 2



Note: All dimensions and tolerances are subject to final product specification

NOT DRAWN TO SCALE

	MM (INCH)		
		✓	
1-4	± 0.05	± 0.10	± 0.30
4-16	± 0.07	± 0.20	± 0.50
16-63	± 0.10	± 0.30	± 0.70
63-250	± 0.20	± 0.50	± 1.20
250-1000	± 0.30	± 0.80	± 2.00

Vision Packaging (Aust.) Pty Limited 16 075 725 576	
NAME: Cap FT HB (single piece) Flip Top plastic closure	
ITEM: 144capft24	DATE: 24/10/19
NECK: 24/410	
MATERIAL: PP - polypropylene	UNIT: mm
ITEM NO: TBA	2 of 2