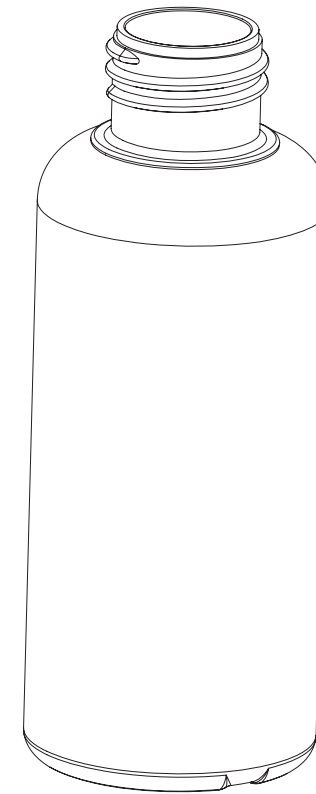
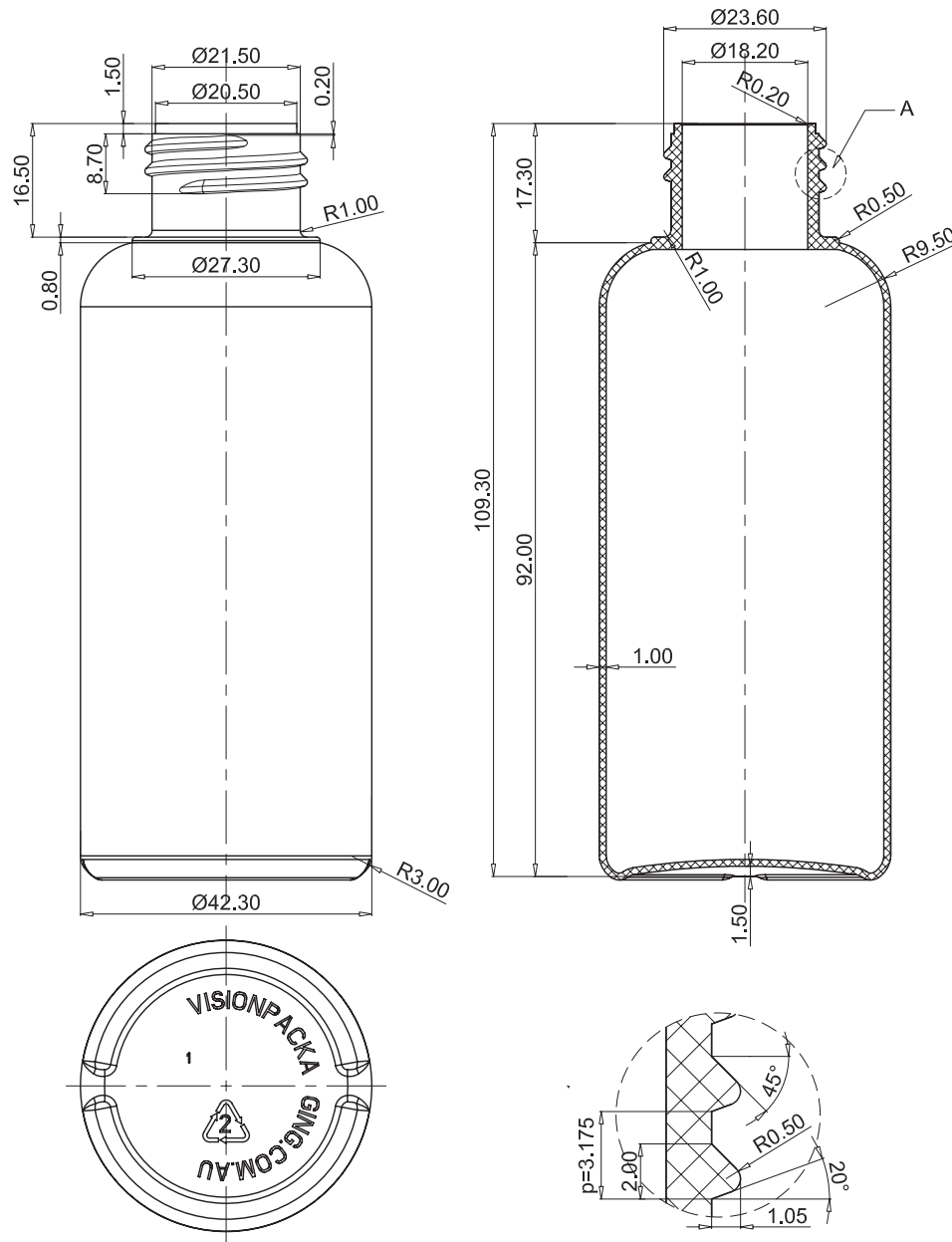


Note: All dimensions and tolerances are subject to final product specification



NOT DRAWN TO SCALE

Vision Packaging (Aust.) Pty Limited 16 075 725 576		DATE: 08/02/2012
DRAWING ID: 117botvpboston0100-24410		DRAWING No:
NAME: Bottle 100mL VP Boston 24/410		MATERIAL: HDPE
NOMINAL FILL: 100mL	NECK: 24/410	WEIGHT: 11.0g +/- 2.0g
BRIMFUL CAPACITY:	TBA +/- 5.0mL	UNIT: mm