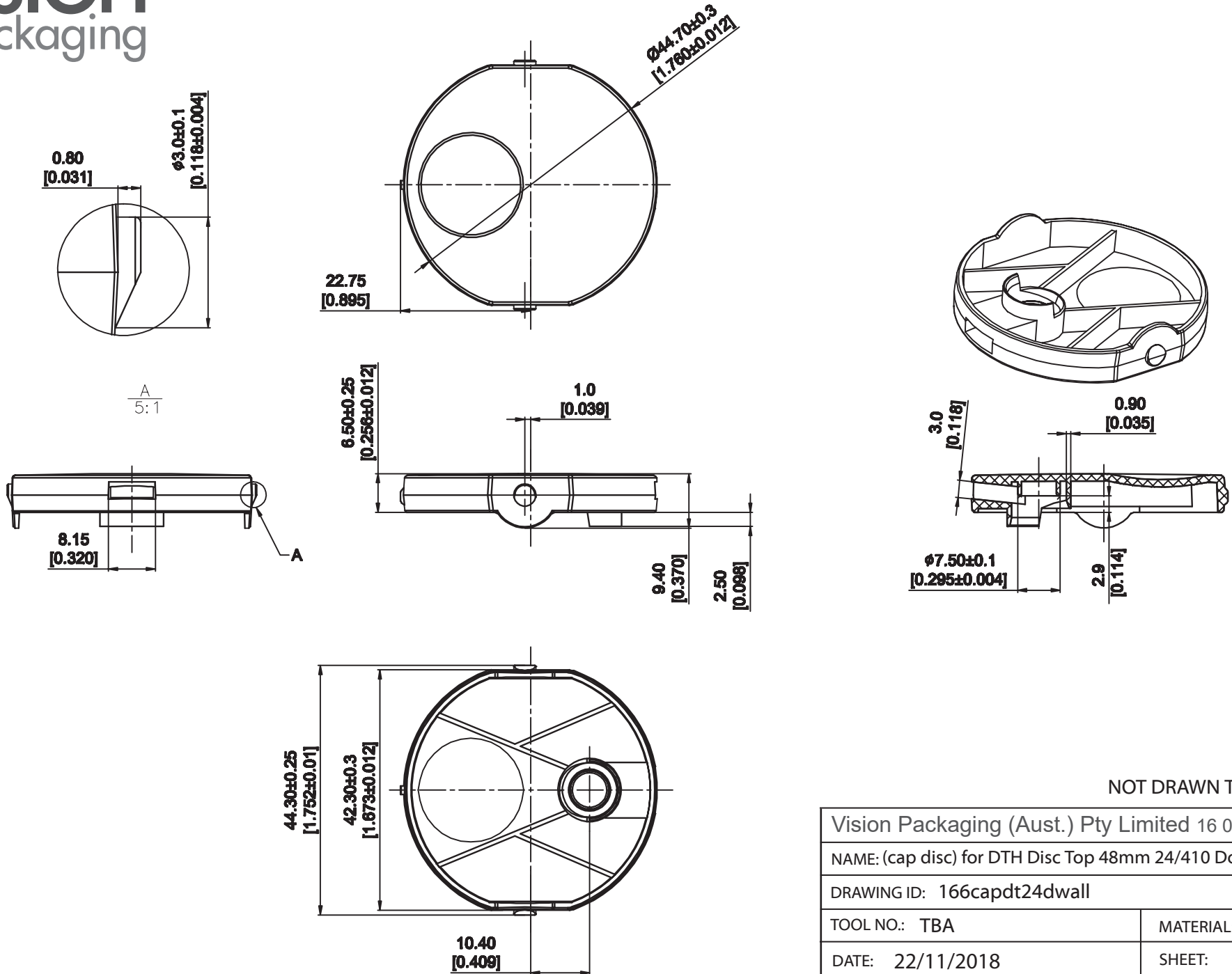
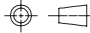


Note: All dimensions and tolerances are subject to final product specification



NOT DRAWN TO SCALE

Vision Packaging (Aust.) Pty Limited 16 075 725 576			
NAME: (cap disc) for DTH Disc Top 48mm 24/410 Double Wall			
DRAWING ID: 166capdt24dwall			
TOOL NO.: TBA		MATERIAL: PPROP	
DATE: 22/11/2018		SHEET: 1 of 1	
	A4	SCALE: 1:1	UNIT: mm