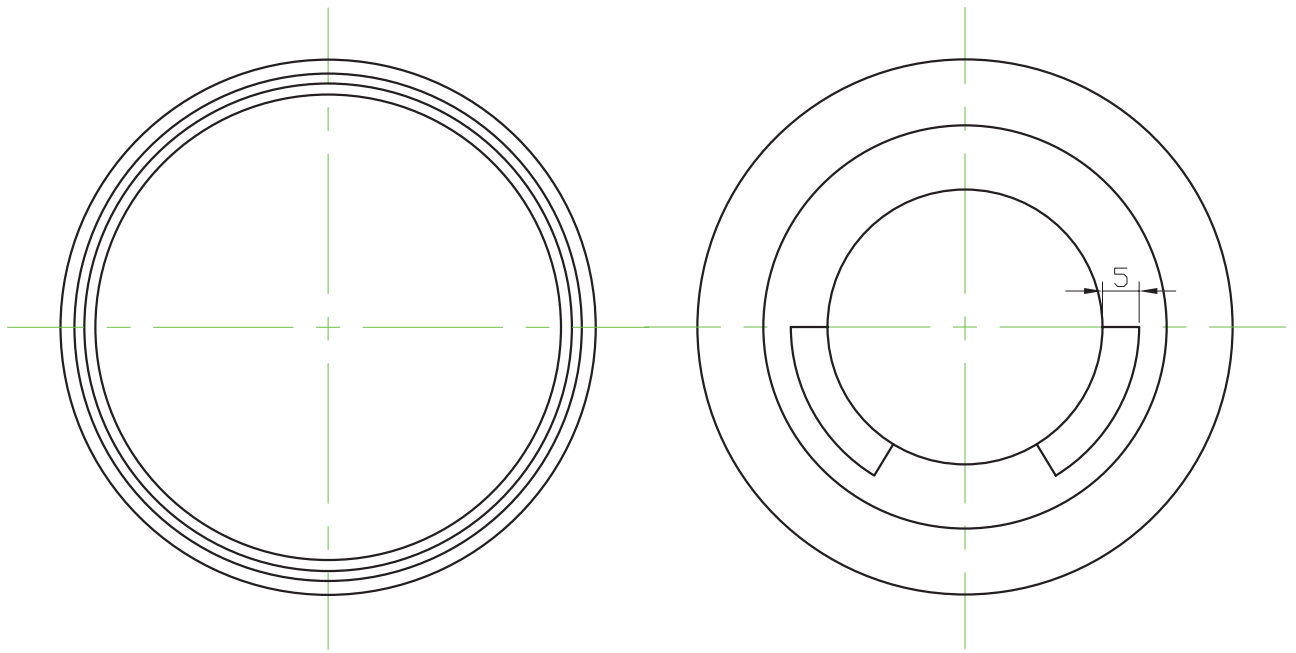


A



A

NOT DRAWN TO SCALE

Note: All dimensions and tolerances are subject to final product specification

Vision Packaging (Aust.) Pty Limited 16 075 725 576	
DRAWING ID: 119jarlowline0100	DATE: 10/05/08
NAME: Jar Base 100mL Lowline	NECK: 70mm
WEIGHT: 20.90gm +/- 2.0gm	MATERIAL: PET
BRIMFUL CAPACITY: 128.0mL +/- 5.0mL	UNIT: mm