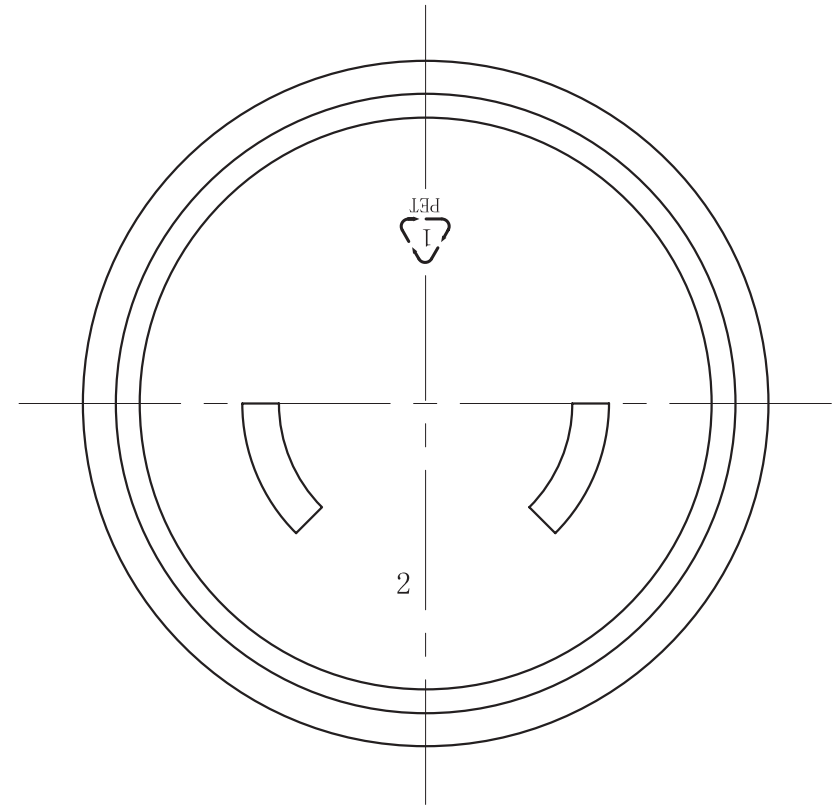
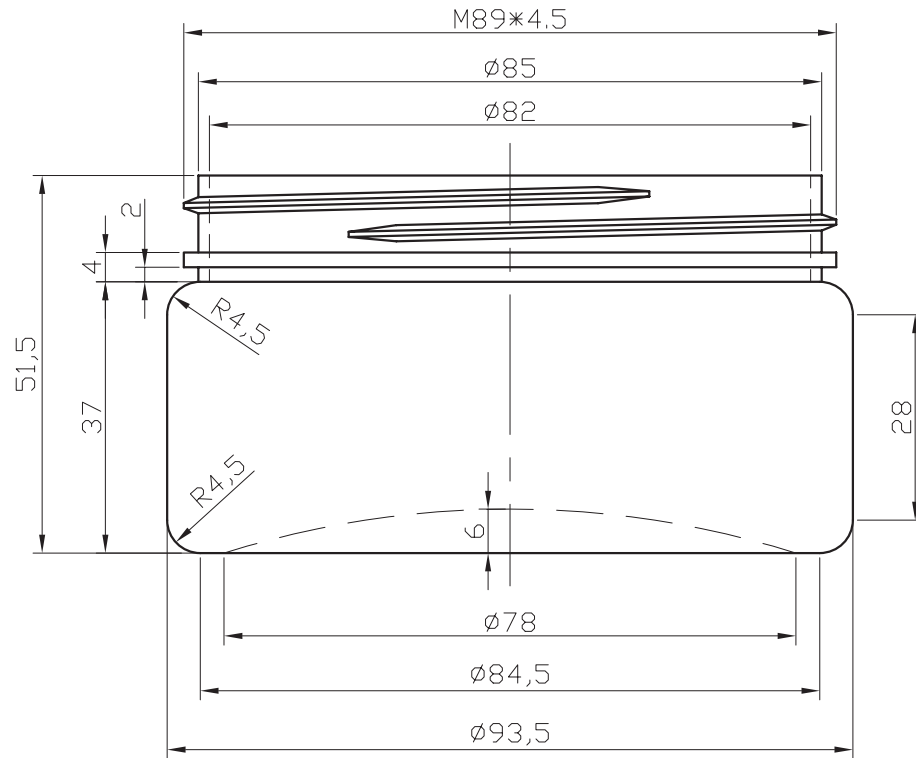


Note: All dimensions and tolerances are subject to final product specification



NOT DRAWN TO SCALE

Vision Packaging (Aust.) Pty Limited 16 075 725 576	
DRAWING ID: 119jarlowline0250	DATE: 29/07/08
NAME: Jar Base 250mL Lowline	NECK: 89mm
WEIGHT: 35.0gm +/- 2.0gm	MATERIAL: PET
BRIMFUL CAPACITY: 280.0mL +/- 5.0mL	UNIT: mm