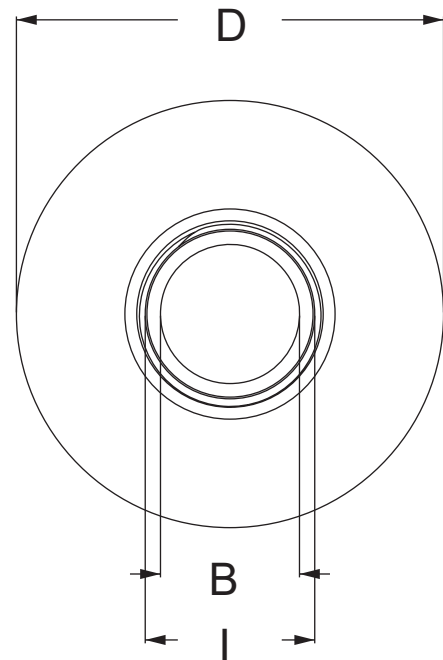


DIMENSION	SIZE (mm)	TOLERANCE (mm)
D	62.5mm	+1.0 mm -1.0
I	24.5mm	+0.5 mm -0.5
H	202mm	+1.0 mm -1.0
N	18mm	+1.0 mm -1.0
T	27.6mm	+0.5 mm -0.5
L	165mm	+1.0mm -1.0
B	21mm	+0.5 mm -0.5



Note: All dimensions and tolerances are subject to final product specification

NOT DRAWN TO SCALE

Vision Packaging (Aust.) Pty Limited 16 075 725 576		DATE: 01-04-15
DRAWING ID: 117botbro0500-28410		UNIT: mm
NAME: Bottle 500mL Bro Cylinder 28/410	MATERIAL: HDPE	
NOMINAL FILL: 500mL	NECK: 28/410	
BRIMFUL CAPACITY: 520mL +/- 10.0mL	WEIGHT: 32.0gm +/- 2.0gm	