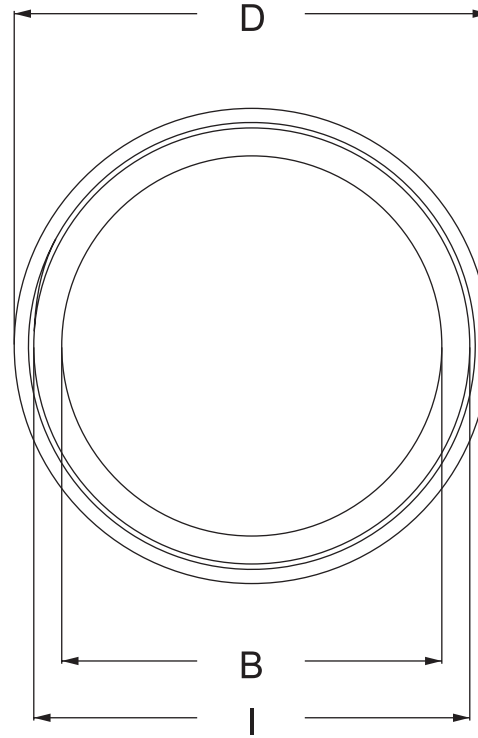
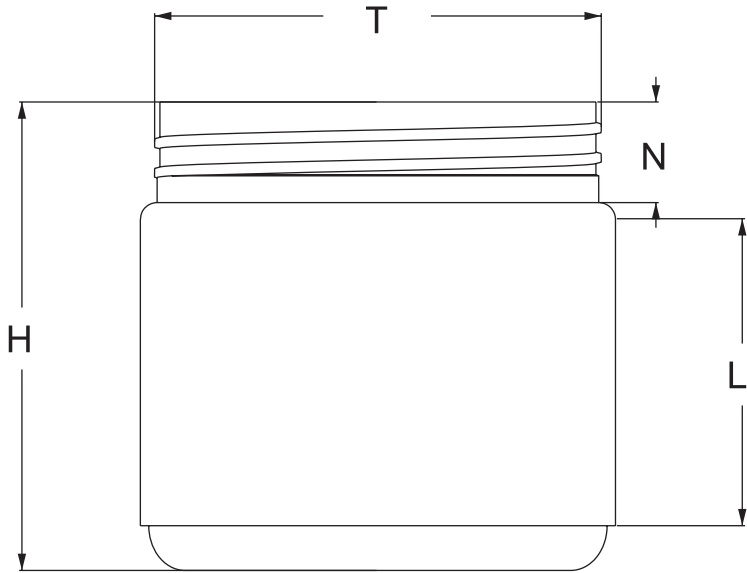


Note: All dimensions and tolerances are subject to final product specification



DIMENSION	SIZE (mm)	TOLERANCE (mm)
D	86mm	+1.0 -1.0 mm
I	80mm	+0.5 -0.5 mm
H	87mm	+1.0 -1.0 mm
N	18.2mm	+0.5 -0.5 mm
T	82.4mm	+0.5 -0.5 mm
L	58mm	+1.0 -1.0 mm
B	72mm	+1.0 -1.0 mm

NOT DRAWN TO SCALE

Vision Packaging (Aust.) Pty Limited 16 075 725 576		DATE: 20/08/15
ITEM: 117jarbro0375	NAME: Jar 375mL Bro Base 83mm	UNIT: mm
VOLUME: 375mL	NECK: 83mm	MATERIAL: HDPE
BRIMFUL CAPACITY: 420mL +/- 10mL	WEIGHT: 30.00g +/- 2.0g	TOLERANCE: (refer to table)

WASH STATE
TECHNICAL
SCHOOL