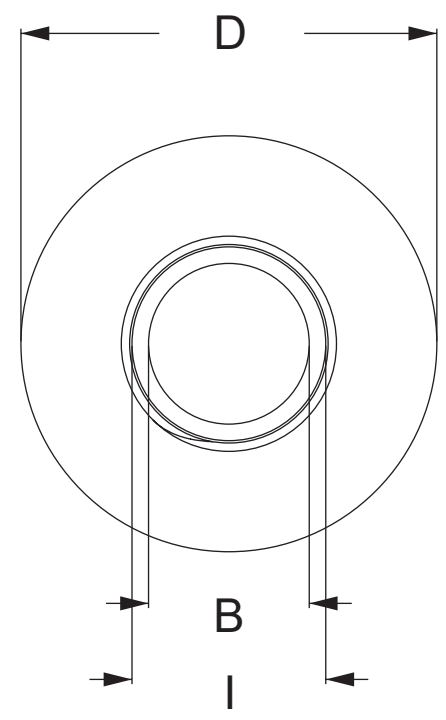
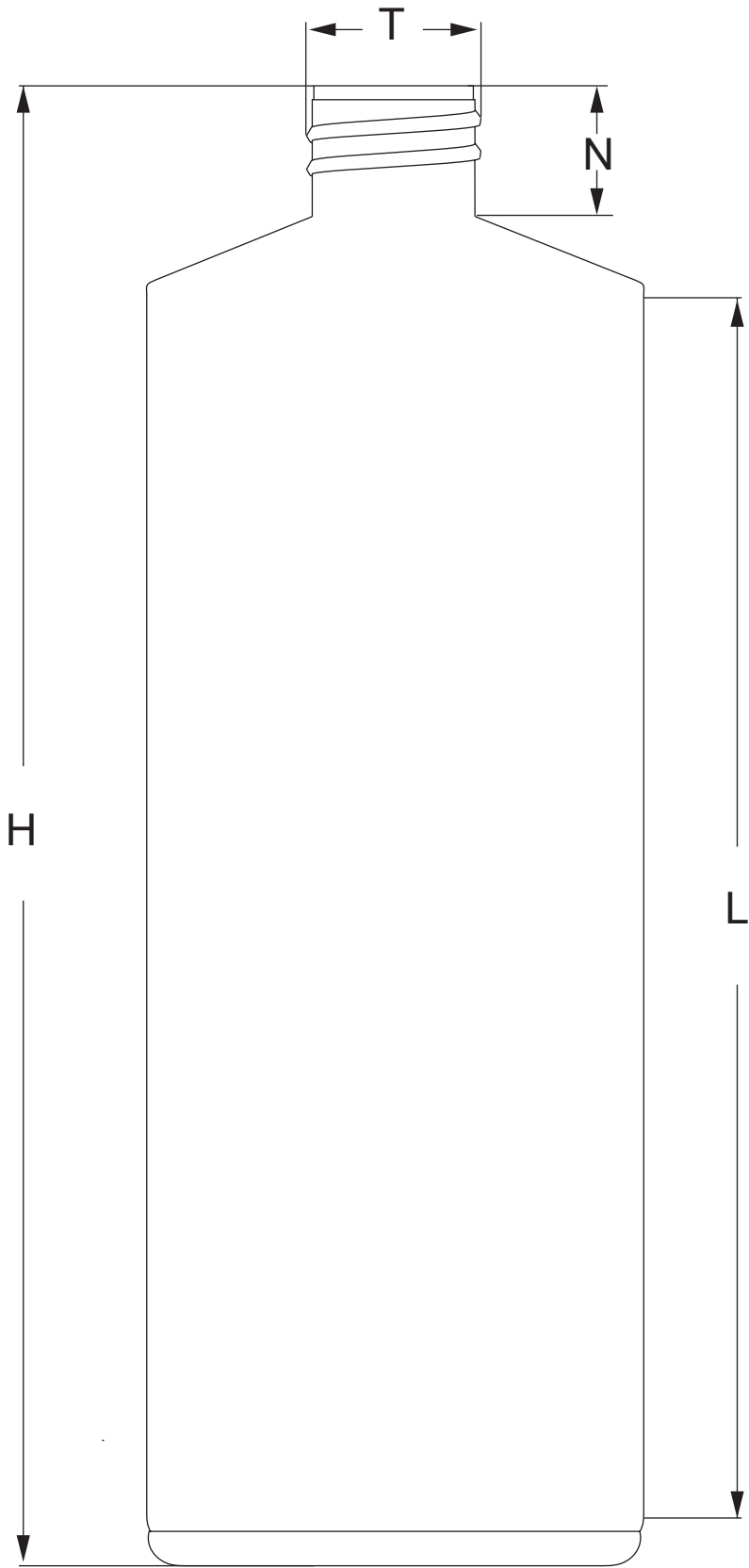


DIMENSION	SIZE (mm)
D	82.0 ± 0.5
I	24.4 ± 0.2
H	244.0 ± 1.0
N	20.0 ± 0.5
T	27.3 ± 0.2
L	207.0 ± 1.0
B	21.2 ± 0.3



Note: All dimensions and tolerances are subject to final product specification

NOT DRAWN TO SCALE

Vision Packaging (Aust.) Pty Limited 16 075 725 576		DATE: 01-07-04
DRAWING ID: 117botbro1000-28410		UNIT: mm
NAME: Bottle 1Ltr Bro Cylinder 28/410	MATERIAL: HDPE	
NOMINAL FILL: 1000mL	NECK: 28/410	
BRIMFUL CAPACITY: 1090mL +/- 10.0mL	WEIGHT: 55.0gm +/- 2.0gm	