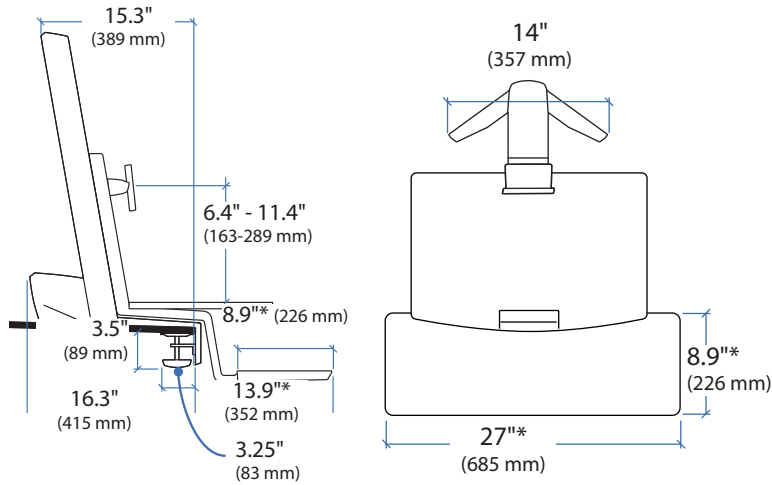
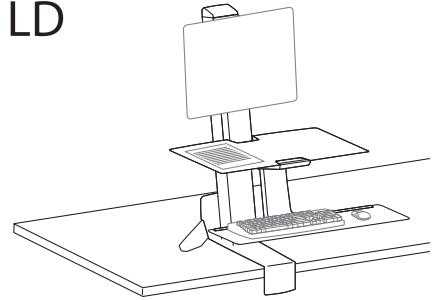


### WorkFit-S with Worksurface, Single LCD Mount, LD



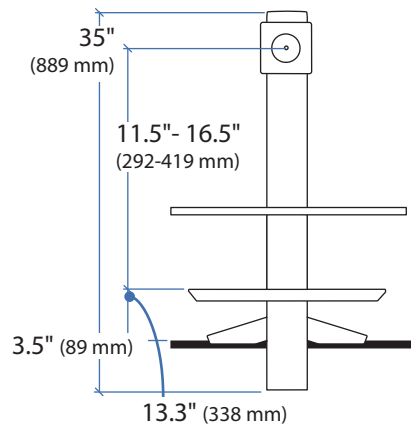
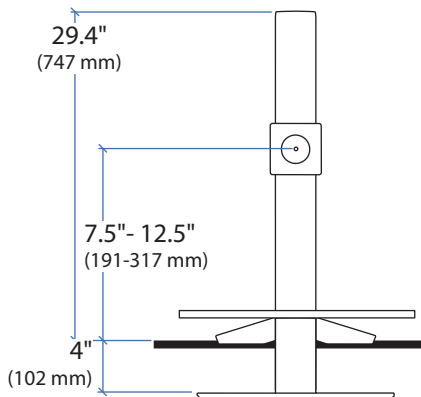
Weight Capacity:



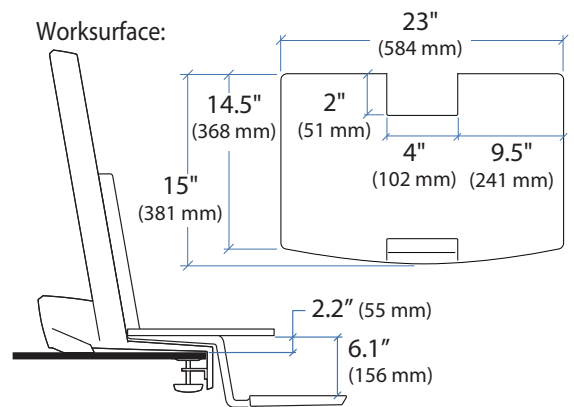
\*Keyboard Tray has 9 Mounting Locations - see page 5 for details.

Lowest Position

Highest Position

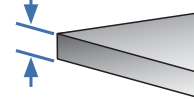


Worksurface:

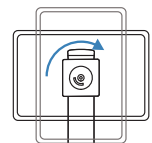


Desk Thickness:

≤ 2.4" (60 mm)

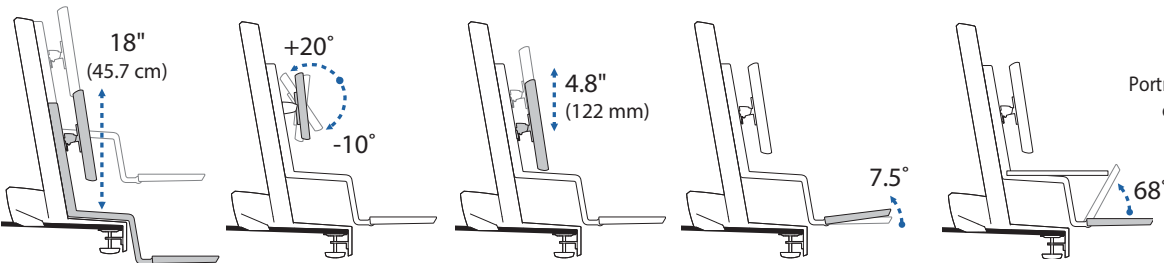
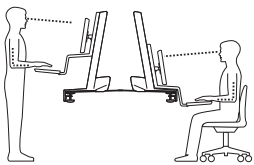
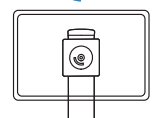


360°



Portrait/Landscape rotation stop screw can be installed for 0° rotation.

0°



© 2014 Ergotron, Inc. rev. 07/06/2017 DIM-WorkFit-S-Worksurface Content is subject to change without notification

**Americas Sales and Corporate Headquarters**

St. Paul, MN USA  
 (800) 888-8458  
 +1-651-681-7600  
 www.ergotron.com  
 sales@ergotron.com

**EMEA Sales**

Amersfoort, The Netherlands  
 +31 33 45 45 600  
 www.ergotron.com  
 info.eu@ergotron.com

**APAC Sale**

Tokyo, Japan  
 www.ergotron.com  
 apaccustomerservice@ergotron.com

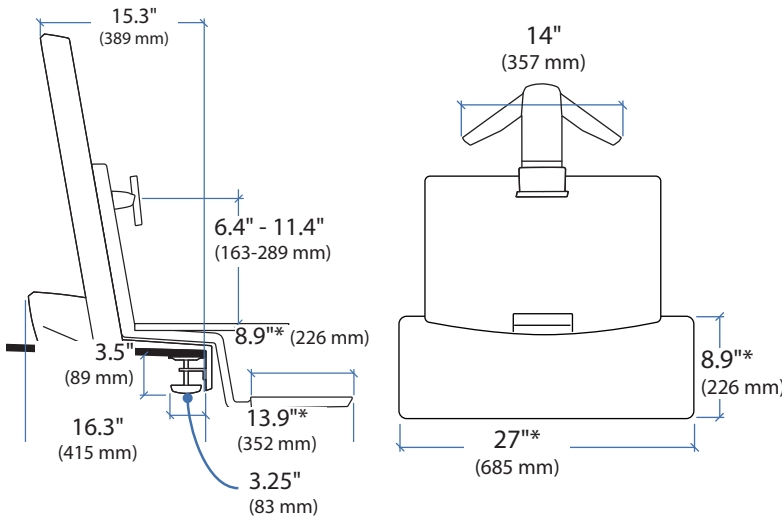
**Worldwide OEM Sales**

www.ergotron.com  
 info.oem@ergotron.com

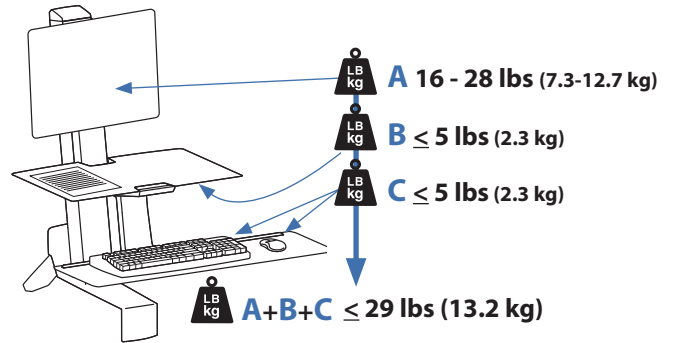
# Ergotron®

## WorkFit-S with Worksurface, Single LCD Mount, HD

### Dimensional Illustrations



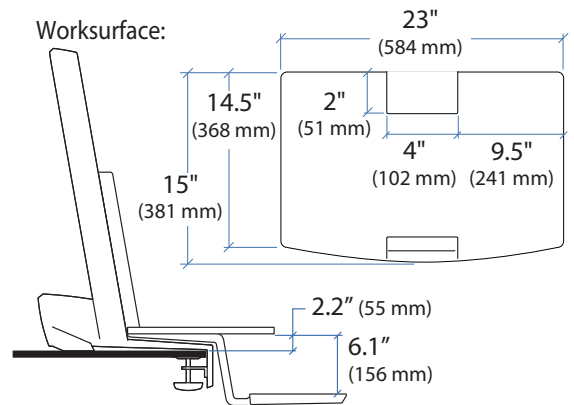
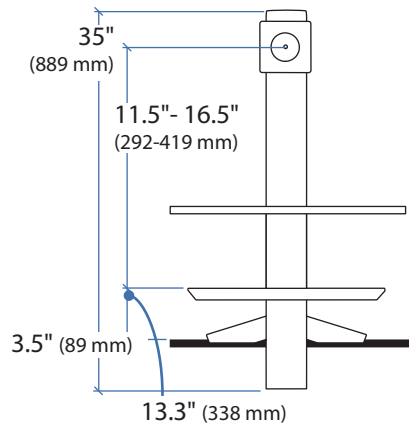
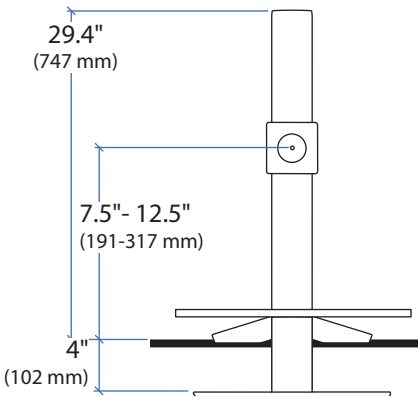
Weight Capacity:



\*Keyboard Tray has 9 Mounting Locations - see page 5 for details.

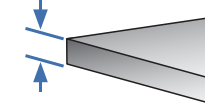
Lowest Position

Highest Position

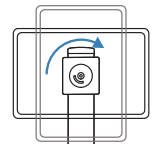


Desk Thickness:

≤ 2.4" (60 mm)

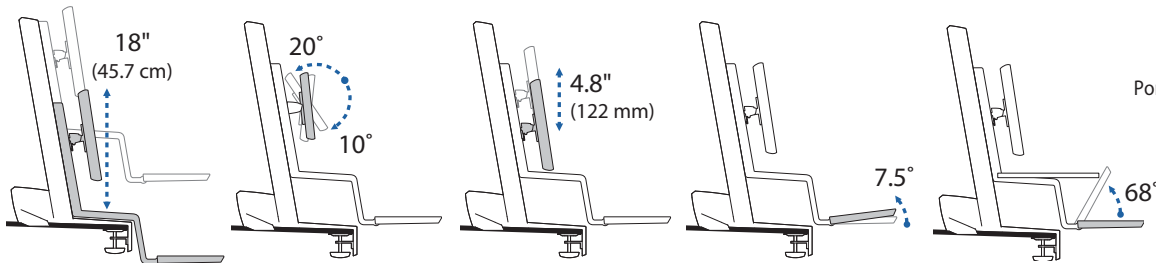
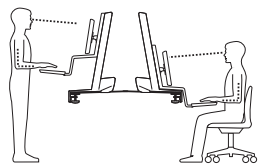
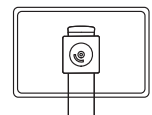


90°



Portrait/Landscape rotation stop screw can be installed for 0° rotation.

0°



© 2014 Ergotron, Inc. rev. 07/06/2017 DIM-WorkFit-S-Worksurface Content is subject to change without notification

**Americas Sales and Corporate Headquarters**

St. Paul, MN USA  
(800) 888-8458  
+1-651-681-7600  
www.ergotron.com  
sales@ergotron.com

**EMEA Sales**

Amersfoort, The Netherlands  
+31 33 45 45 600  
www.ergotron.com  
info.eu@ergotron.com

**APAC Sale**

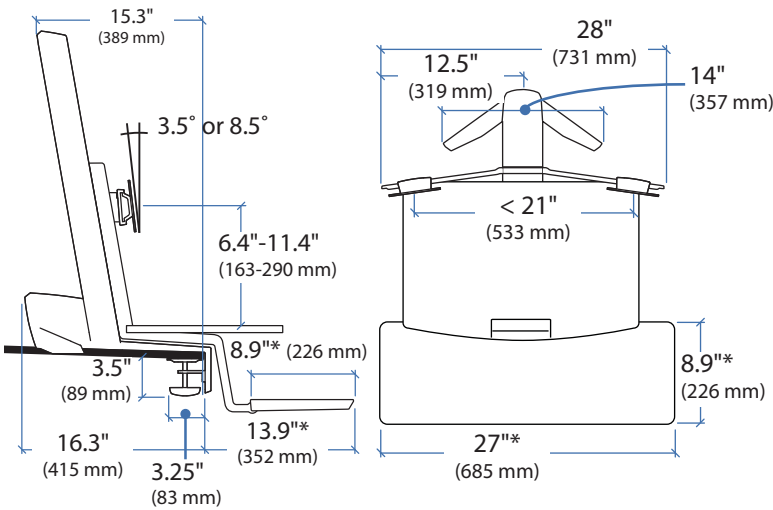
Tokyo, Japan  
www.ergotron.com  
apaccustomerservice@ergotron.com

**Worldwide OEM Sales**

www.ergotron.com  
info.oem@ergotron.com

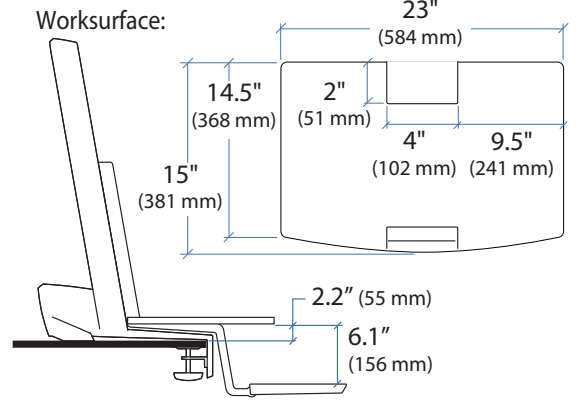
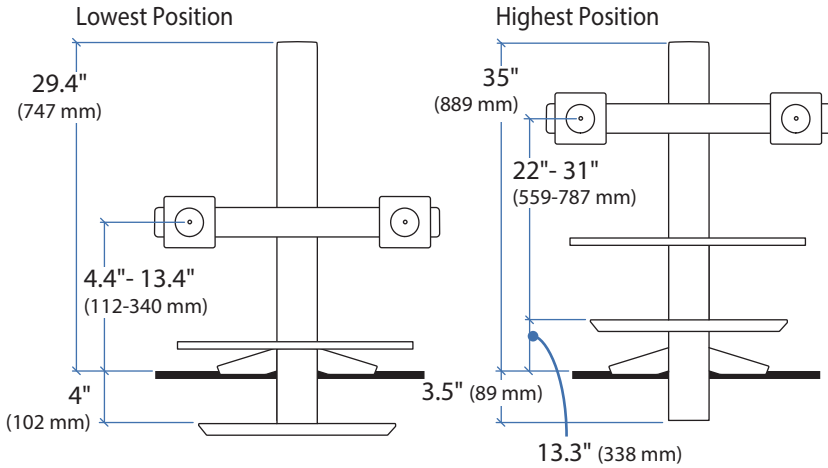
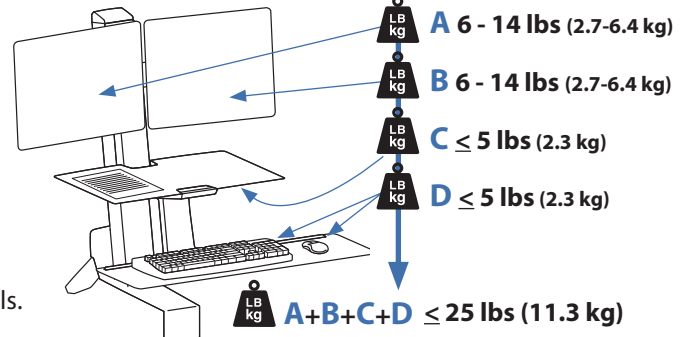
# Ergotron® WorkFit-S with Worksurface, Dual

## Dimensional Illustrations

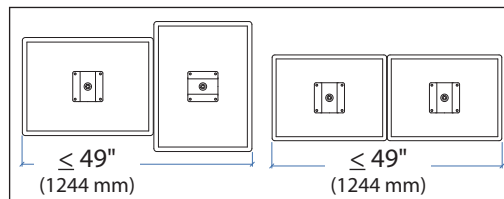
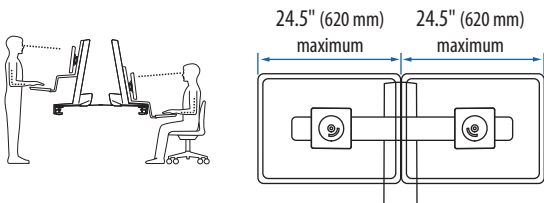


\*Keyboard Tray has 9 Mounting Locations - see page 5 for details.

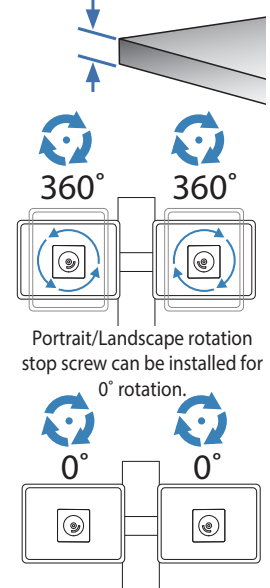
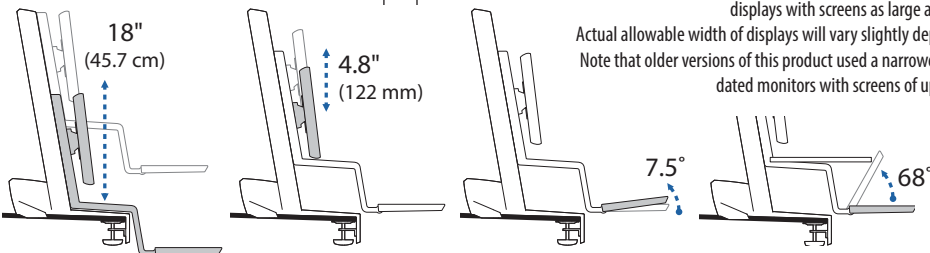
Weight Capacity:



Desk Thickness: ≤ 2.4" (60 mm)



This range accommodates most displays with screens up to 24" as well as some displays with screens as large as 26".  
Actual allowable width of displays will vary slightly depending on display thickness.  
Note that older versions of this product used a narrower crossbar, which accommodated monitors with screens of up to 22"



© 2014 Ergotron, Inc. rev. 07/06/2017 DIM-WorkFit-S-Worksurface Content is subject to change without notification

### Americas Sales and Corporate Headquarters

St. Paul, MN USA  
(800) 888-8458  
+1-651-681-7600  
www.ergotron.com  
sales@ergotron.com

### EMEA Sales

Amersfoort, The Netherlands  
+31 33 45 45 600  
www.ergotron.com  
info.eu@ergotron.com

### APAC Sale

Tokyo, Japan  
www.ergotron.com  
apaccustomerservice@ergotron.com

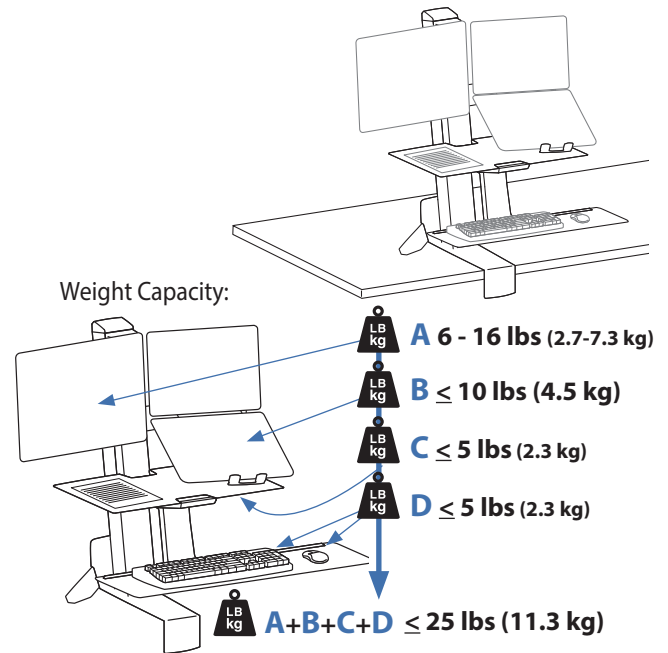
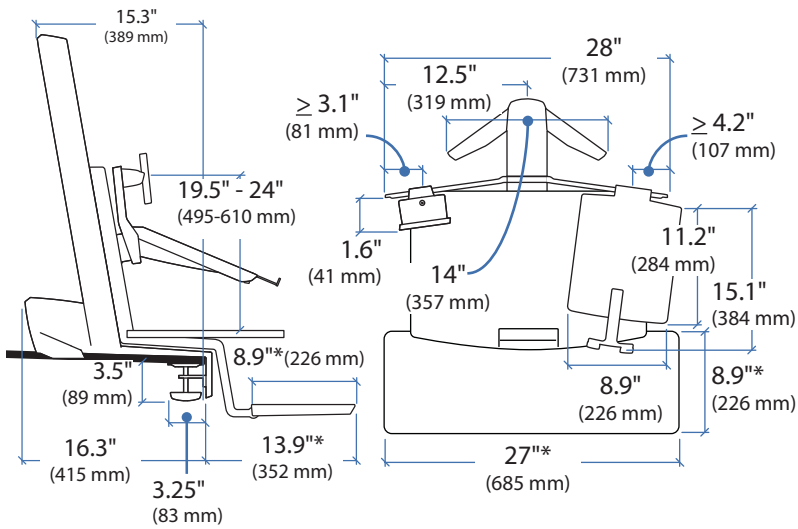
### Worldwide OEM Sales

www.ergotron.com  
info.oem@ergotron.com

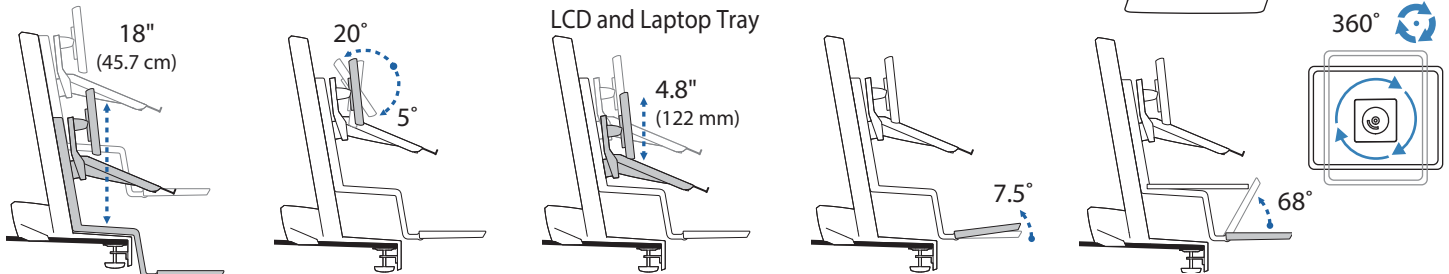
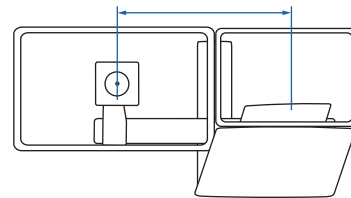
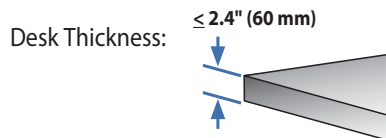
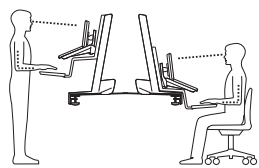
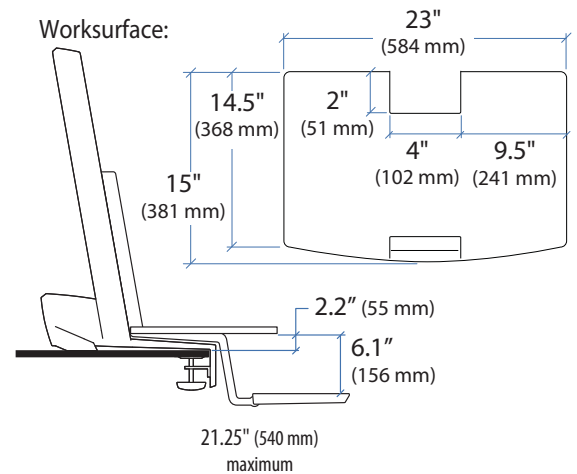
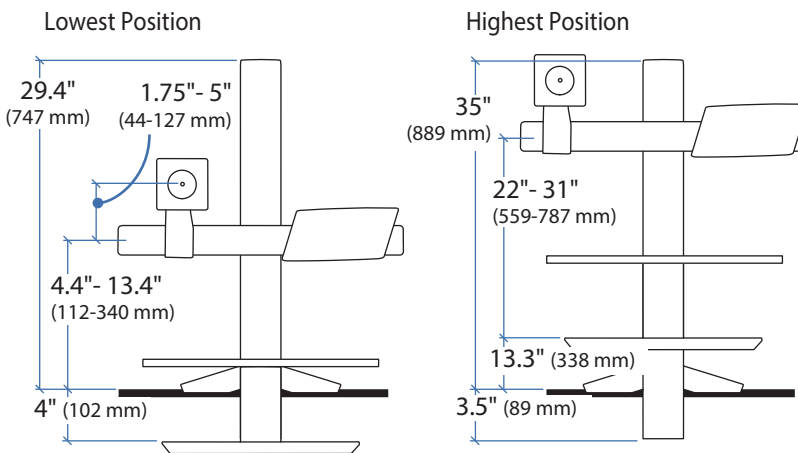
# Ergotron®

## WorkFit-S with Worksurface, LCD & Laptop

### Dimensional Illustrations



\*Keyboard Tray has 9 Mounting Locations - see page 5 for details.



© 2014 Ergotron, Inc. rev. 07/06/2017 DIM-WorkFit-S-Worksurface Content is subject to change without notification

#### Americas Sales and Corporate Headquarters

St. Paul, MN USA  
 (800) 888-8458  
 +1-651-681-7600  
 www.ergotron.com  
 sales@ergotron.com

#### EMEA Sales

Amersfoort, The Netherlands  
 +31 33 45 45 600  
 www.ergotron.com  
 info.eu@ergotron.com

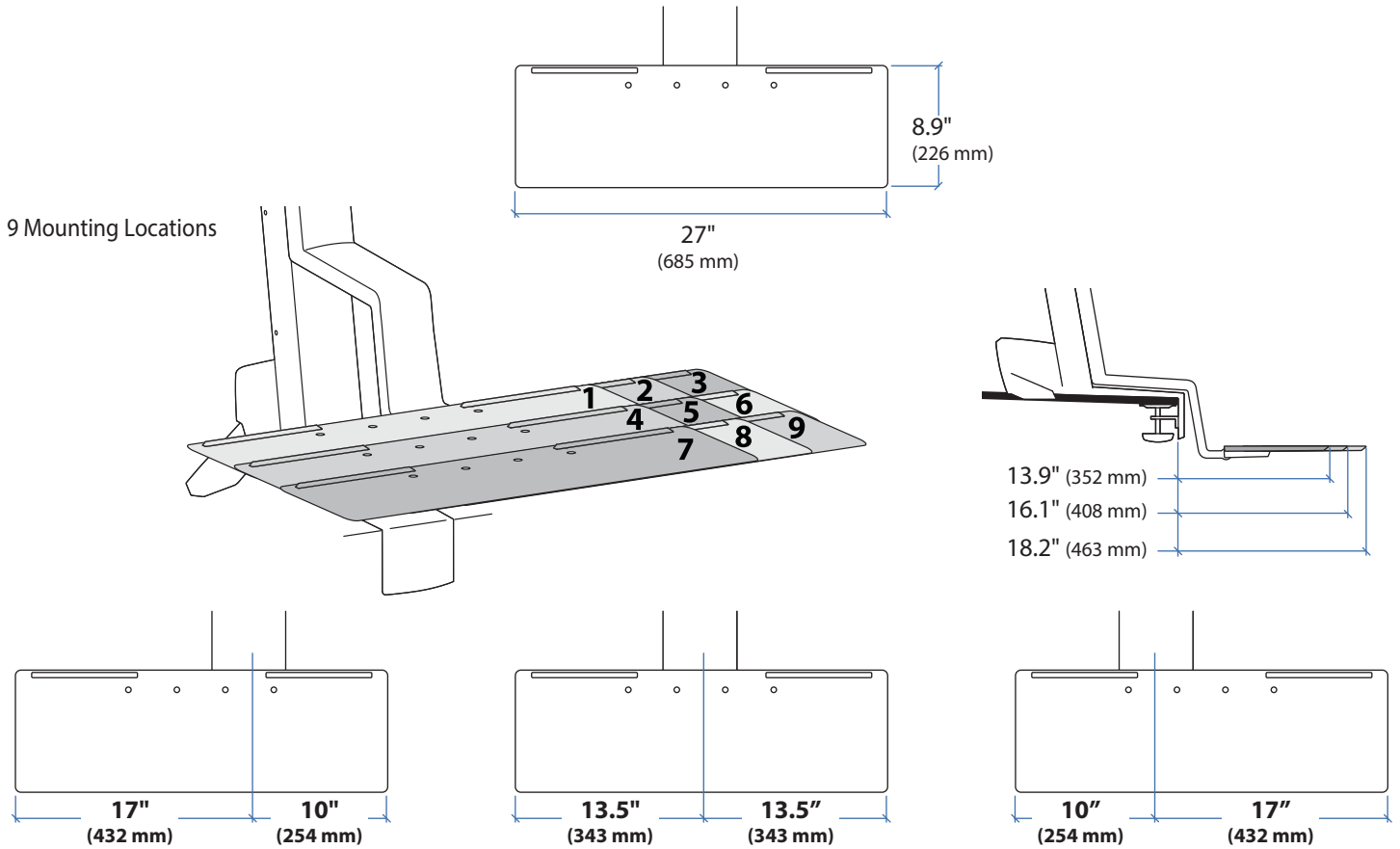
#### APAC Sale

Tokyo, Japan  
 www.ergotron.com  
 apaccustomerservice@ergotron.com

#### Worldwide OEM Sales

www.ergotron.com  
 info.oem@ergotron.com

### WorkFit-S with Worksurface, Keyboard Tray



© 2014 Ergotron, Inc. rev. 07/06/2017 DIM-WorkFit-S-Worksurface Content is subject to change without notification

#### Americas Sales and Corporate Headquarters

St. Paul, MN USA  
 (800) 888-8458  
 +1-651-681-7600  
[www.ergotron.com](http://www.ergotron.com)  
[sales@ergotron.com](mailto:sales@ergotron.com)

#### EMEA Sales

Amersfoort, The Netherlands  
 +31 33 45 45 600  
[www.ergotron.com](http://www.ergotron.com)  
[info.eu@ergotron.com](mailto:info.eu@ergotron.com)

#### APAC Sale

Tokyo, Japan  
[www.ergotron.com](http://www.ergotron.com)  
[apaccustomerservice@ergotron.com](mailto:apaccustomerservice@ergotron.com)

#### Worldwide OEM Sales

[www.ergotron.com](http://www.ergotron.com)  
[info.oem@ergotron.com](mailto:info.oem@ergotron.com)