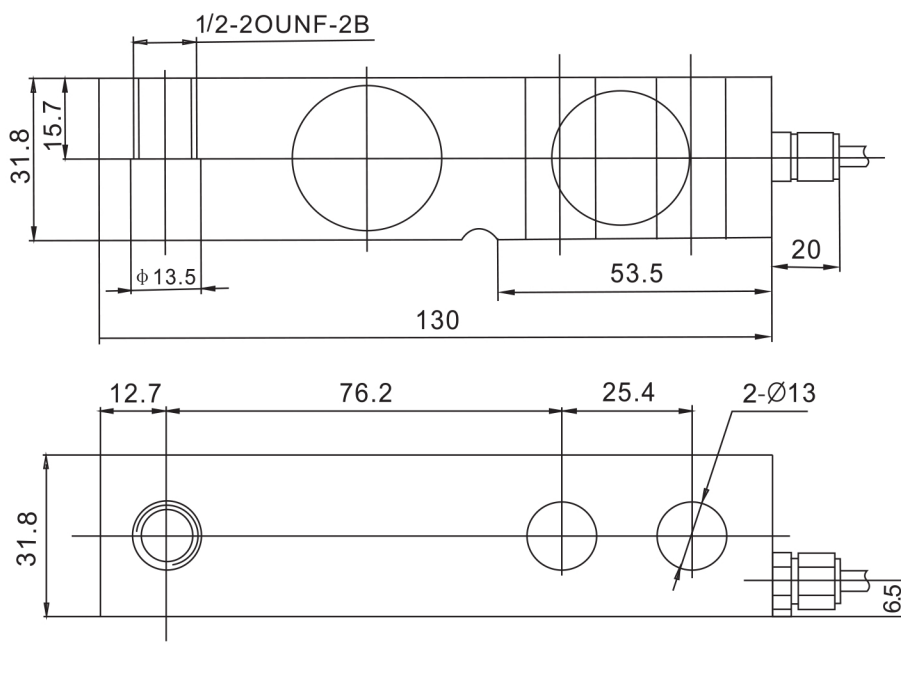
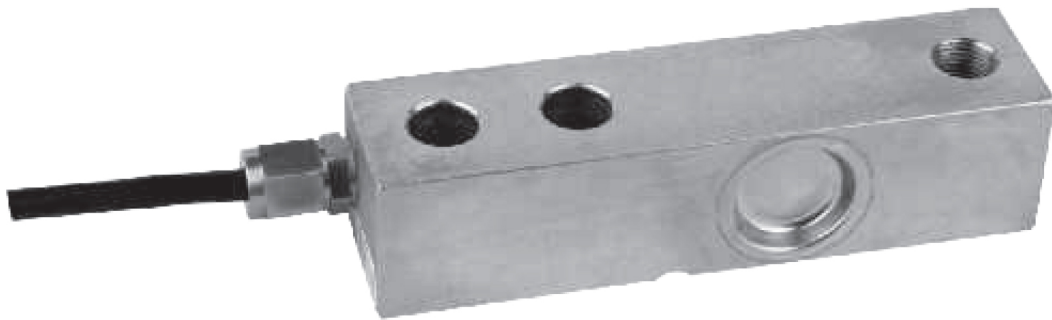


SQBY/SQBY-A/-ASS Loadcell
SQBY/SQBY-A/-ASS


Floor scale,blending scale, platform scale

TECHNICAL PARAMETER | OAP version 4Wires:Exc+(Blue);Exc-(Black);Sig+(White);Sig-(Red)

Rated capacities(Emax)	1,2,2.5,4klb	Temperature range, compensated	-10°C~+40°C
Sensitivity	3.0±0.003mV/V	Temperature range, operating	-30~+70°C
Accuracy class	III L 5000	Maximum safe overload	150%F.S
		Ultimate overload	200%F.S
Zero balance	±1%F.S	Excitation,recommended	10~12V DC
TC ZERO	±0.02%F.S/10°C	Excitation,maximum	15V DC
TC SPAN	±0.02%F.S/10°C	Protection class	IP67(1klb);IP68(2~4klb)
Input resistance	400±20Ω	Construction	Alloy Steel, Stainless Steel
Output resistance	352±3Ω	Cable	Length: 3m
Insulation resistance	≥5000MΩ		Diameter: φ6mm