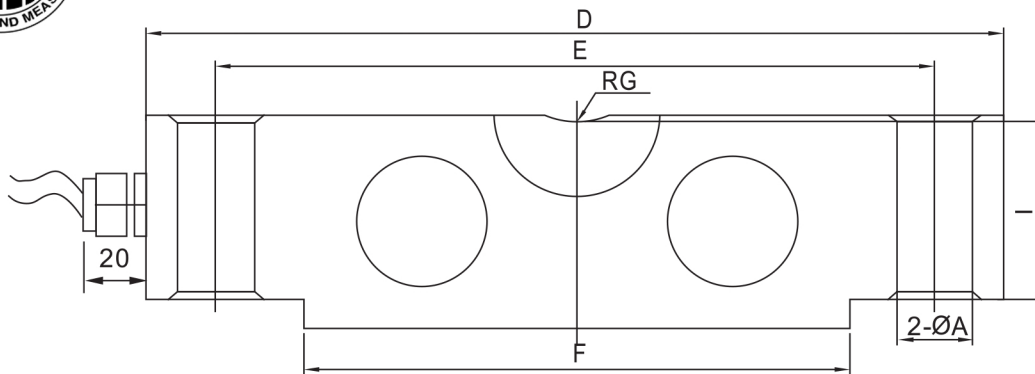
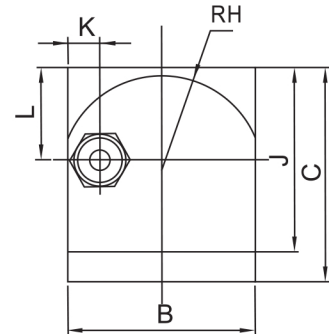
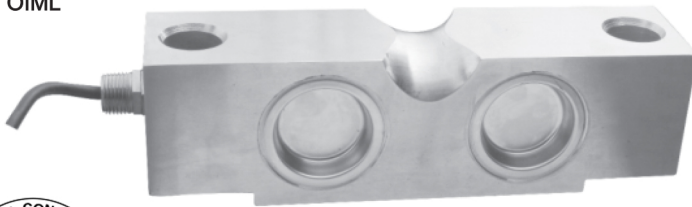
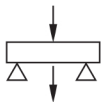


KL-58 Load Cell
KL-58


Rated Load (klb)	A	B	C	D	E	F	G	H	I	J	K	L
10-25	17.3	42.9	49.3	196.9	165.1	125.1	19.1	22.9	41.4	43.2	8.8	13.6
40	20.6	49.3	62.0	260.4	215.9	162.4	25.4	28.5	50.8	53.3	10	31.0
50-75	27.0	62.0	74.7	260.4	215.9	162.4	25.4	34.8	64.5	67.3	10	37.4



Truck scale, railway scale, axle-load scale, floor scale, warehouse scale

TECHNICAL PARAMETER | OAP version 4Wires:Exc+(Blue);Exc-(Black);Sig+(White);Sig-(Red)

Rated capacities(Emax)	10, 25, 40, 50, 60, 75, 100Klb	Temperature range, compensated	-10°C~+40°C
Sensitivity	3.0±0.003mV/V	Temperature range, operating	-30~+70°C
Accuracy class	C2~C5	Maximum safe overload	150%F.S
		Ultimate overload	250%F.S
Zero balance	±1%F.S	Excitation, recommended	10~12V DC
TC ZERO	±0.02%F.S/10°C	Excitation, maximum	15V DC
TC SPAN	±0.02%F.S/10°C	Protection class	IP68
Input resistance	750±10Ω	Construction	Alloy Steel Stainless Steel
Output resistance	702±3Ω, 702±5Ω (L≥15m)	Cable	Length=12m(10~40klb, 5~15t), 16m(50~75klb)
Insulation resistance	≥5000MΩ		Diameter: φ6mm