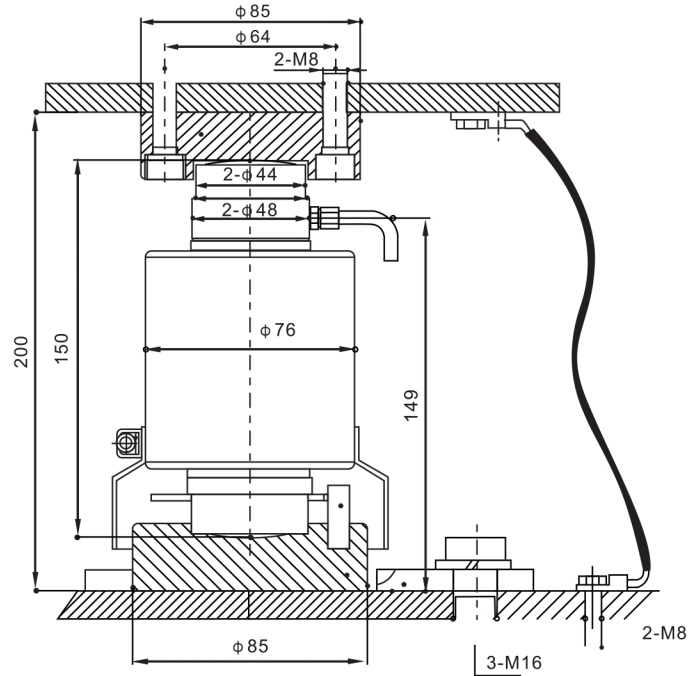


ZSY-16 Load Cell

ZSY-16



Truck scale, railway scale, axle-load scale, floor scale

TECHNICAL PARAMETER

OAP version 4Wires: Exc+(Red);Exc-(Black);Sig+(Green);Sig-(White)

Rated capacities(Emax)	15, 20, 30, 40, 50t	Temperature range, compensated	-10°C~+40°C
Sensitivity	2.0±0.002mV/V	Temperature range, operating	-30~+70°C
Total error	±0.02%F.S.	Maximum safe overload	150%F.S
Creep error (30min)	±0.02%F.S.	Ultimate overload	300%F.S
Zero balance	±1%F.S	Excitation, recommended	10~12V DC
TC ZERO	±0.02%F.S/10°C	Excitation, maximum	15V DC
TC SPAN	±0.02%F.S/10°C	Protection class	IP68
Input resistance	700±10Ω	Construction	Alloy Steel
Output resistance	703±02Ω	Cable	Length: 8m(10t), 10m(15t), 12m(20~25t), 14m(30t), 16m(40~50t)
Insulation resistance	≥5000MΩ		Diameter: φ 5mm