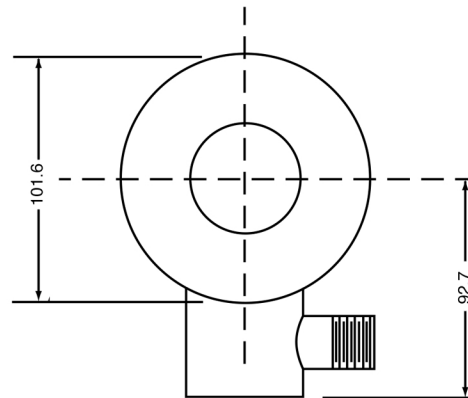
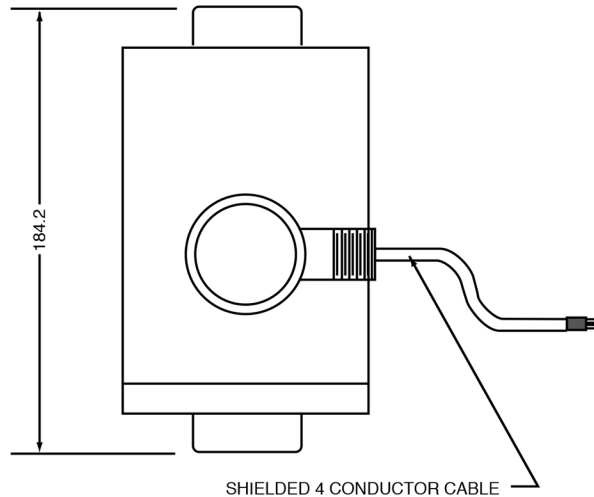


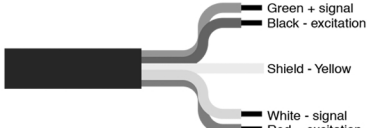
**SCA Load Cell**

**SCA**



All dimensions are in mm unless otherwise noted.

**ELECTRICAL INFORMATION**



- Green - signal
- Black - excitation
- Shield - Yellow
- White - signal
- Red - excitation

**Mechanical Data**

Rated Capacity, (R.C.) $E_{max}$  · 54430 kg  
 Minimum Dead Load ..... 250, 500 kg  
 Safe Load Limit ..... 150% R.C.  
 Ultimate Load ..... 300% R.C.  
 Deflection at R.C. .... 0.33 mm  
 Spring Element Material .... 17-4 PH  
 Net Weight ..... 6 kg

**Environmental Data**

Temperature Compensation  
 Range ..... -10° to +40°C  
 Operating Temperature Range .. -29° to +93°C  
 Construction & Protection  
 Code ..... CP-67 HU, IP67  
 Barometric Pressure Effect  
 on Zero Load Output ..... <1 v (min)/1kPa

**Electrical Data**

Rated Output ..... 2mV/V  
 Excitation Voltage,  
 Recommended ..... 10 VDC  
 Excitation Voltage,  
 Maximum ..... 15 VDC  
 Cable Length ..... 9m  
 Terminal Resistance  
 Excitation ..... 1150 ± 12 ohms  
 Signal ..... 1050 ± 10 ohms  
 Zero Load Output ..... ± 1% R.C.  
 Insulation Resistance ..... >5000 megohms at  
 50 VDC

**Color Code**

+ Excitation ..... Green	- Signal ..... White
- Excitation ..... Black	+ Signal ..... Red