
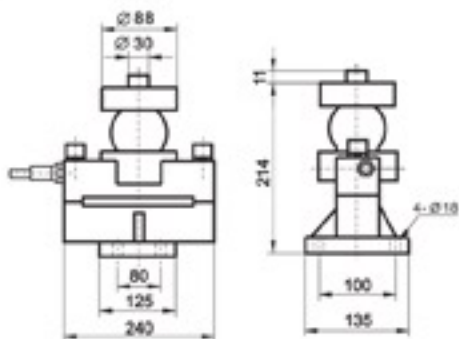
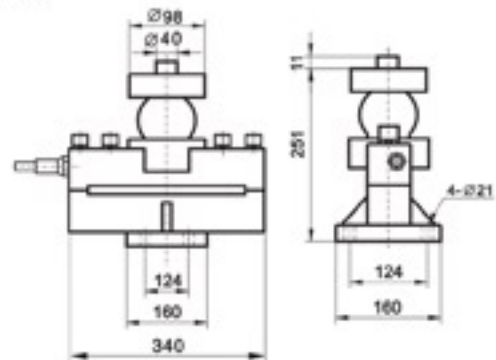


**KU-A Load Cell**
**KU-A**



 (150°C~250°C)  
 (2000 Ω)  
 4~20mA; 0~5V; 1~5V

**10~40t:**

**50t:**

**TECHNICAL PARAMETER**

Application	Truck scale	Input resistance	Ω	750±3
Model	DP-CP	Output resistance	Ω	700±5
Capacity	t	Insulation resistance	MΩ (50V)	5000
Rated output	MV/V	Recommended excitation voltage	V	5~18
Accuracy class	C2	Compensated temperature range	°C	-10~+40
Maximum number of verification intervals	$n_{max}$	Operating temperature range	°C	-30~+70
Minimum load cell verification intervals	$V_{min}$	Safe overload	%RO	150
Combined error	%RO	Ultimate overload	%RO	250
Creep	%RO/30min	Load cell material		Alloy steel
Temperature effect on sensitivity	%RO/°C	Connecting cable		10t~20t ∅ 6.3X12m
Temperature effect on zero	%RO/°C			25t~30t ∅ 6.3X16m
Zero balance	%RO			40t~50t ∅ 6.3X18m