



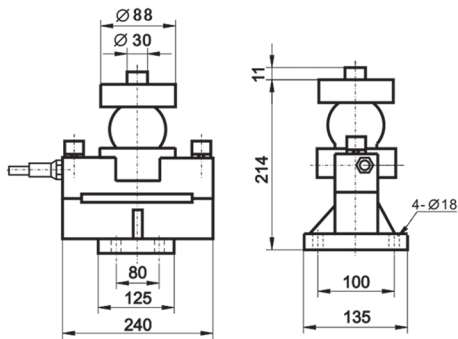
DB-CP Load Cell

DB-CP

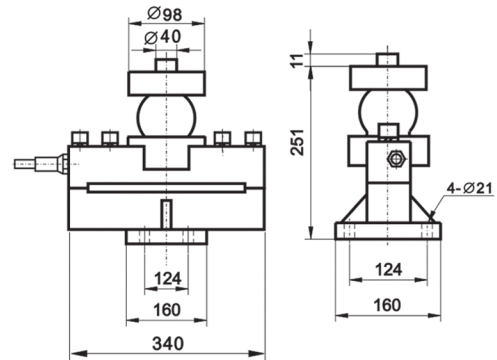


(150°C~250°C)  
(2000 Ω)  
4~20mA; 0~5V; 1~5V

10~40t:



50t:



TECHNICAL PARAMETER

Application	Truck scale	Input resistance	Ω	750±3
Model	DP-CP	Output resistance	Ω	700±5
Capacity	t	Insulation resistance	MΩ (50V)	5000
Rated output	MV/V	Recommended excitation voltage	V	5~18
Accuracy class	C2	Compensated temperature range	°C	-10~+40
Maximum number of verification intervals	n <sub>max</sub>	Operating temperature range	°C	-30~+70
Minimum load cell verification intervals	V <sub>min</sub>	Safe overload	%RO	150
Combined error	%RO	Ultimate overload	%RO	250
Creep	%RO/30min	Load cell material		Alloy steel
Temperature effect on sensitivity	%RO/°C	Connecting cable		10t~20t Ø 6.3X12m
Temperature effect on zero	%RO/°C			25t~30t Ø 6.3X16m
Zero balance	%RO			40t~50t Ø 6.3X18m
				±1.0