

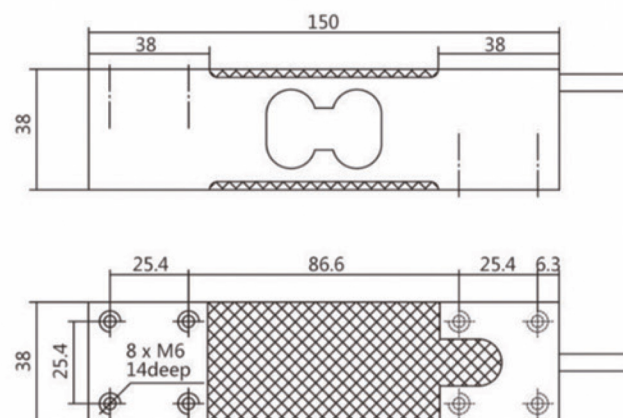
ALUMINUM



# Single-point load cell



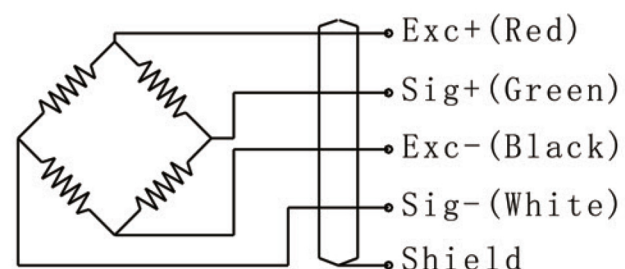
Outline dimensions (in millimeters)



## SPECIFICATIONS

Rated Capacity:	50 to 250kg
Full scale Output:	$2 \pm 0.2\text{mV/V}$
Zero Balance:	$\pm 0.1\text{m V/V}$
Accuracy Class:	C3, C3MR, C5, C6 OIML approval Class III, 6000, Single or Multiple
Hysteresis Error:	$< \pm 0.0166\% \text{ F.S (C3, C3MR)}$ $< \pm 0.0083\% \text{ F.S (C5, C6)}$
Non-linearity:	$< \pm 0.0166\% \text{ F.S (C3, C3MR)}$ $< \pm 0.0083\% \text{ F.S (C5, C6)}$
Input Resistance:	$404\Omega \pm 15\Omega$
Output Resistance:	$350\Omega \pm 3\Omega$
Recommended Excitation:	10V (15V Maximum)
Insulation Resistance:	$> 2000\text{M}\Omega$ (50V DC)
Temperature Effect on Zero Balance:	$< \pm 0.0028\% \text{ F.S/}^\circ\text{C (C3)}$ $< \pm 0.0014\% \text{ F.S/}^\circ\text{C (C3MR,C5, C6)}$
Temperature Effect on Sensitivity:	$< \pm 0.00175\% \text{ F.S/}^\circ\text{C (C3, C3MR)}$ $< \pm 0.00087\% \text{ F.S/}^\circ\text{C (C5, C6)}$
Compensated Temperature Range:	-10 to 40°C
Operating Temperature Range:	-10 to 50°C
Storage Temperature Range:	-25 to 70°C
Safe Overload:	150% of full scale
Ultimate Overload:	300% of full scale
IP class:	Ip65
Cable length:	1.5m
Warranty:	One-year limited warranty

Wiring Schematic Diagram



### INTERCHANGEABLE PRODUCTS

Manufacturer	Model
Mettler Toledo	MT1241
HBM	PW10A
Vishay Tedea-Huntleigh	1022
Zemic	L6Q
Keli sensing	AMI (LE)