

**CANADA  
BILLIARD**  
& BOWLING INC

SINCE 1973



# Cloud Ping Pong

installation manual

2024-01-103-20



**CANADA BILLIARD & BOWLING INC.**

4050 Industriel blvd, Laval, QC, H7L 6C3

450-963-5060

**WWW.CANADABILLIARD.COM**

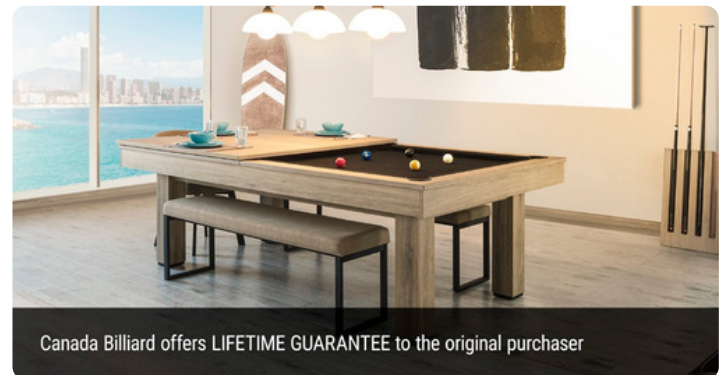


# LIFETIME GUARANTEE

CANADA BILLIARD is pleased to offer an unsurpassed LIFETIME GUARANTEE TO THE ORIGINAL PURCHASER against defects in material and workmanship, provided installation and/or service is performed by an Authorized Dealer or a factory-approved installer. Cloth, pockets and rail cushions are not covered under this guarantee. CANADA BILLIARD warrants that those specific parts are to be free from defects at date of installation.

ALL CLAIMS MUST BE MADE THROUGH AN AUTHORIZED DEALER OR REPRESENTATIVE. Parts returned for warranty service are to be shipped «prepaid». Those parts found to be defective will be repaired or replaced by CANADA BILLIARD at its sole discretion, and returned «prepaid» by conventional surface freight carrier. Any costs or charges required to disassemble, prepare for return and reassemble will be the sole responsibility of the owner. This guarantee does not imply the replacement of the entire pool table but does cover the replacement or repair of such parts that may prove to be defective.

Replacement or repair of defective parts shall constitute complete fulfillment of all obligations of CANADA BILLIARD with respect to product guarantee. CANADA BILLIARD shall under no circumstances incur liabilities for any consequential damages arising out of any condition of the pool table, including but not limited to, damages arising from the use or loss of use of the product.



There are no warranties which extend beyond the description on the face hereof. No other express or implied warranties of merchantability or fitness for particular use, whether oral or written, shall apply to the product. CANADA BILLIARD neither assumes nor authorizes, any person to assume on CANADA BILLIARD's behalf, any other obligation or liability in connection with the product.

This guarantee does not apply to damage resulting from transit, moving, abuse, misuse, accident, alteration, neglect, climatic conditions, normal wear and tear, fire, flood, earthquake or any other natural calamity. Billiard tables used in an institutional or commercial application are not covered by this guarantee.

CANADA BILLIARD reserves the right to improve any product through changes in design or materials without obligation to incorporate such changes in products of prior manufacture. This warranty is personal and non-transferable to subsequent owners of the table. CANADA BILLIARD's obligation hereunder is void if the table is not installed and serviced by an authorized CANADA BILLIARD's Dealer or Representative.

# Pingpong CLOUD

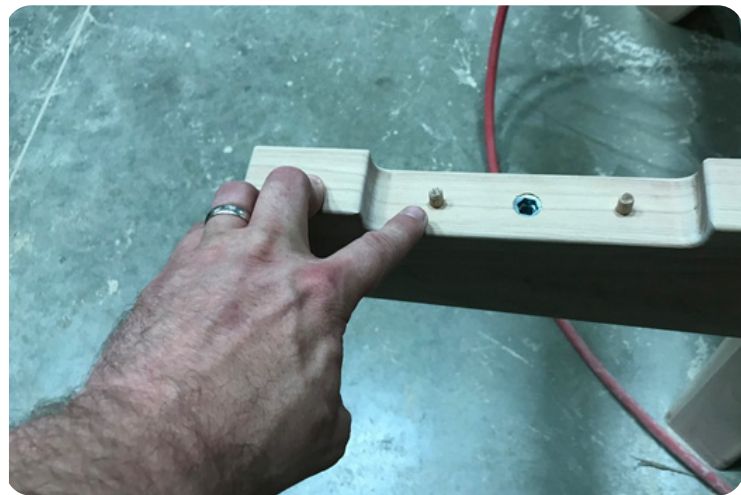
Code #	QTY	DESCRIPTION - Boîte Quinc. 19815
<b>#1 Frame</b> (Bag 5"x8")		
	10	Hexagon bolts 3/8"-16 x 1 3/4"
	4	Hexagon bolts 3/8"-16 x 1 1/4"
	14	Flat washers 13/32"
	12	Dowel pins 8mm x 1 1/4" **Bag
<b>#2 Legs</b> (Bag 4"x6")		
2-	8	Hexagon bolts 3/8"-16 x 5"
	8	Flat washers 7/16"
	8	Brushed aluminium dowel 1 3/4" ***Bag
	8	Small Round Levelers #5201211290 **Bag
<b>#3 Aprons</b> (Bag 4"x4")		
	28	Machine screws 1/4"-20 x 1 1/2" (round head)
	28	Flat washers 5/16"
<b>#4 Playing surface</b>		
For 3/4 MDF surface	44	Wood screws # 8 x 1 1/4" (round head washer)
<b>OR</b>		
For Phénolic surface (60-AEPPTBK)	20	Machine screws 1/4"-20 x 3/4" (round head)
	20	Fender washers 1/4"
<b>#5 Drawer (Optional)</b> (Bag 4"x4")		
	2	Machine screws 1/4"-20 x 1/2" (round head)
	4	Joint connector bolts jcb-b 1/4"-20 x 40mm
	1	Hexagon key 4mm



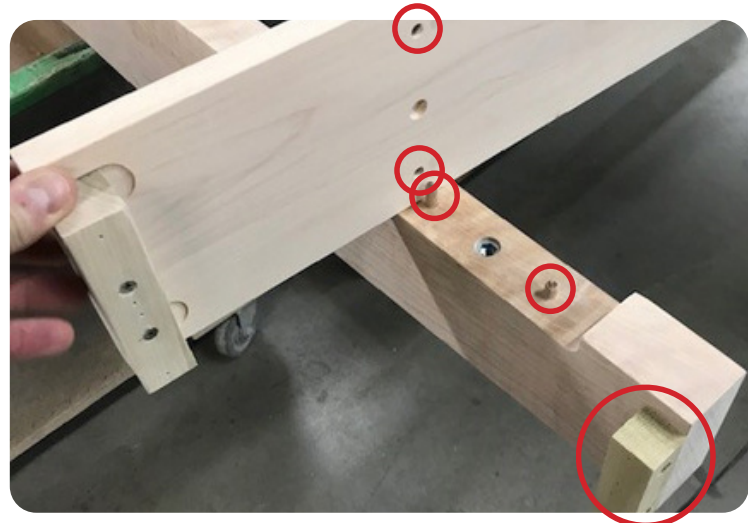
**1** According to the picture above, place the hardware on a clean surface.



**2** Unwrap legs and unscrew leg levelers for about 1/2" Install the smaller levelers making sure they remains screwed in tightly..



**3** Install 8mm dowel pins to the long base frame.



**4** Using the dowel pins for alignment, install the tiner crossmembers. **Be sure that the blocs on the long base frames are oriented on the outside of the assembly.**



**5** Fix these 2 crossmembers with 3/8"-16 x 1 1/4" hexagonal bolts and 13/32" plat wachers.



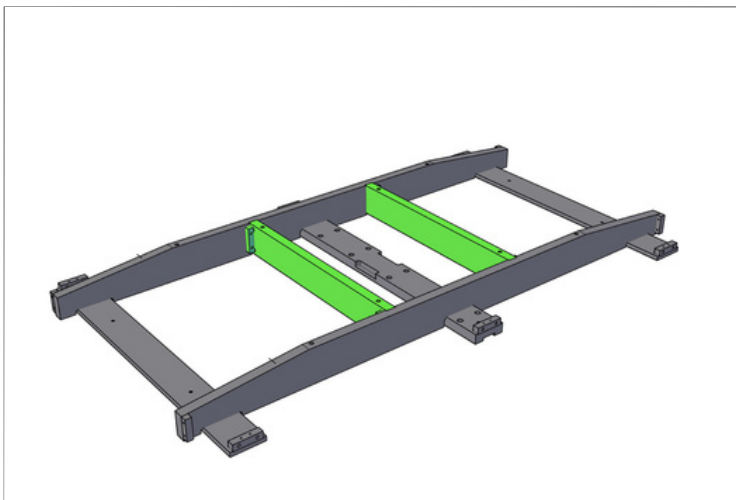
**6** Using the dowel pins for alignment, install the net crossmembers (thicker crossmember).



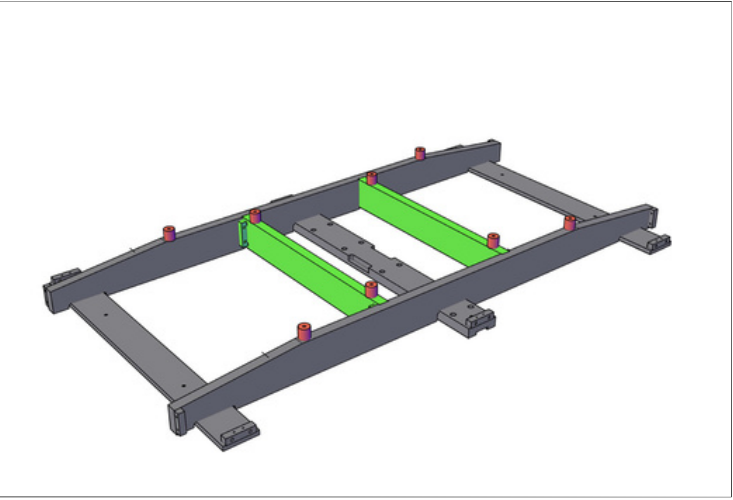
**7** Fix the net crossmember with 3/8"-16 x 1 3/4" hexagonal bolts and 13/32" flat washers.



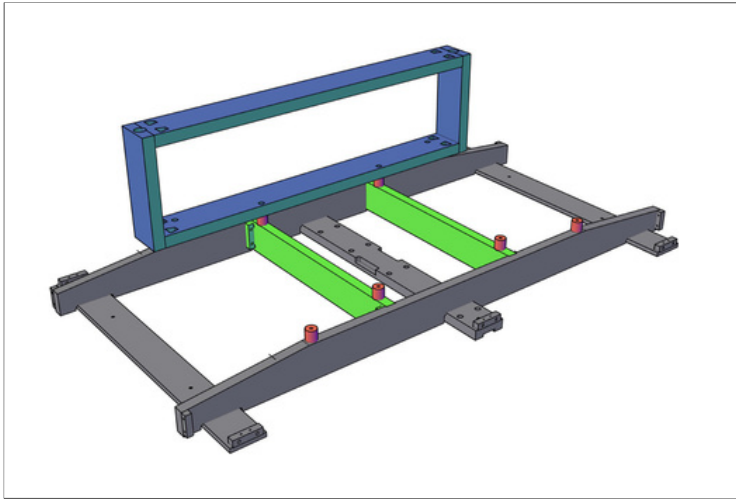
**8** On a clean floor, turn upside-down the assembly..



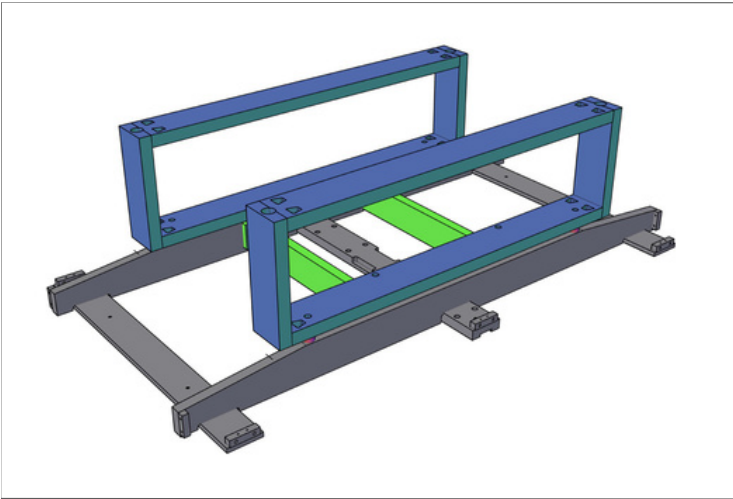
**9** Slide the crossmembers according to the image and fix them in place with 3/8"-16 x 1 3/4" hexagonal bolts and 13/32" flat washers. Be sure that the crossmembers will be installed with the side flat with the side of the frames.



**10** Put in place the 8 aluminium dowels.



**11** Place the first leg and fix it with 3/8"-16 x 5" hexagonal bolts and 7/16" flat washers.



**12** Repeat for the second leg and then, with help, turn over the assembly and put it back on it's legs.



**13** Fix both long aprons to the crossmembers using 1/4"-20 x 1 1/2" machines screws and 5/16" flat washers. **TO FACILITATE THE INSTALLATION OF THE CHROME POLES (OPERATION 13) BE SURE THAT THE POINTED SURFACES ARE LEVELED.**



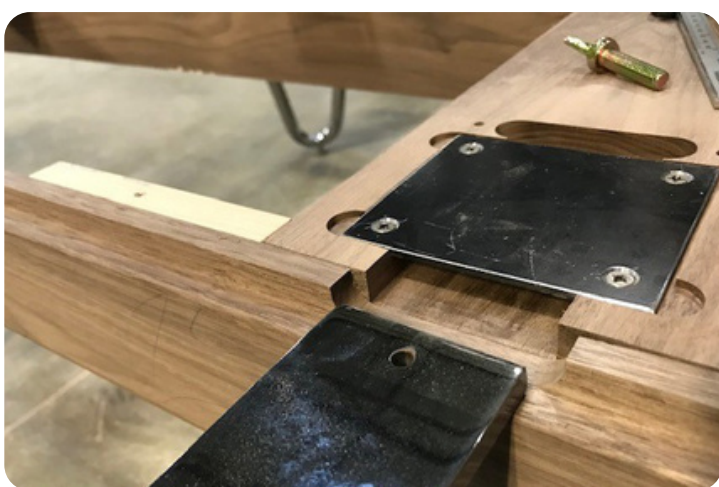
**14** Fix the first short apron's corners to the long aprons with 1/4"-20 x 1 1/2" machines screws and 5/16" flat washers



**15** Fix this same short apron to the long base frames with 1/4"-20 x 1 1/2" machines screws and 5/16" flat washers



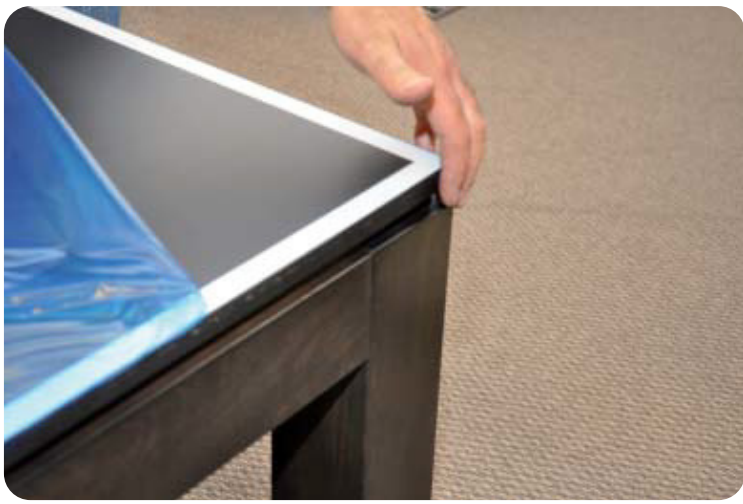
**16** Repeat operations 10 and 11 for the second short apron or, for a product with a drawer, fix the drawer's box to the crossmember using 1/4"-20 x 1/2" machine screws and machine screws 1/4"-20 x 1/2" (round head). to the apron.



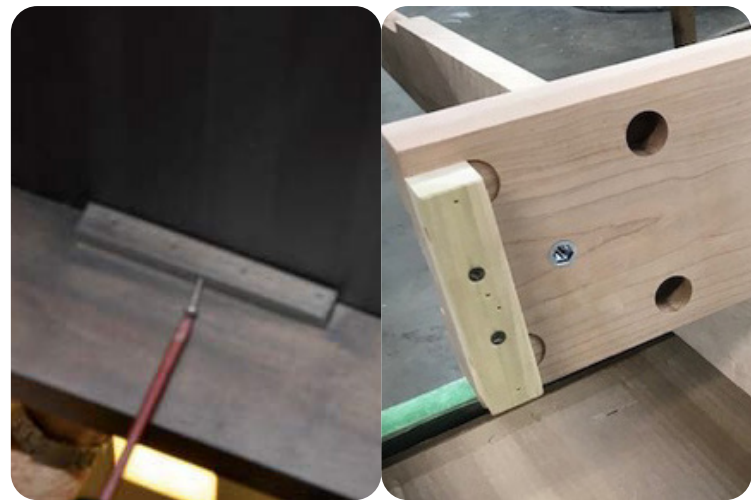
**17** Slide both chrome poles in place into the net crossmember underneath the metal plate.



**18** Loosely screw the 3/8"-16 x 1 1/2" winged nut underneath the net crossmember. This nut will allow you to tighten the net or completely remove the chrome poles when using your table as a dining table.



**19** Place and center the playing surface on the frame.



**20** Attach the frame to the playing surface and cross members with wood screws #8 x 1 1/4" round headed. Also use the large holes underneath the net crossmember to fix the surface.



**21** Put the drawer back in place.



**22** Slide the rods at each end of the net.

- 1) Into the ring.
- 2) Into the net itself.

for each of the following steps, it will be easier to proceed simultaneously on each end of the net with help.



**23** Insert the angular end of the rod into the holes on the bottom of the chrome poles.



**24** Insert the upper part of the rod into the upper part of the chrome pole,



**25** Tighten the net by pulling the chrome pole from the pingpong table..



**26** Tighten the chrome pole with the winged nut underneath the net crossmember.



**27** Your installation is completed.



**YOU ARE NOW READY  
TO PLAY YOUR FIRST GAME OF PINGPONG  
ON YOUR MAGNIFICENT PING PONG TABLE  
FROM CANADA BILLIARD !**

**CONGRATULATIONS !**

**CANADA BILLIARD & BOWLING INC.**

4050 Industriel blvd, Laval, QC, H7L 6C3

450-963-5060

**WWW.CANADABILLIARD.COM**

