

# **Assembly Instructions for Concrete Firebowl**

Caution: Handle with Care

puremodern

**Thank you for purchasing a quality concrete product by PureModern.**

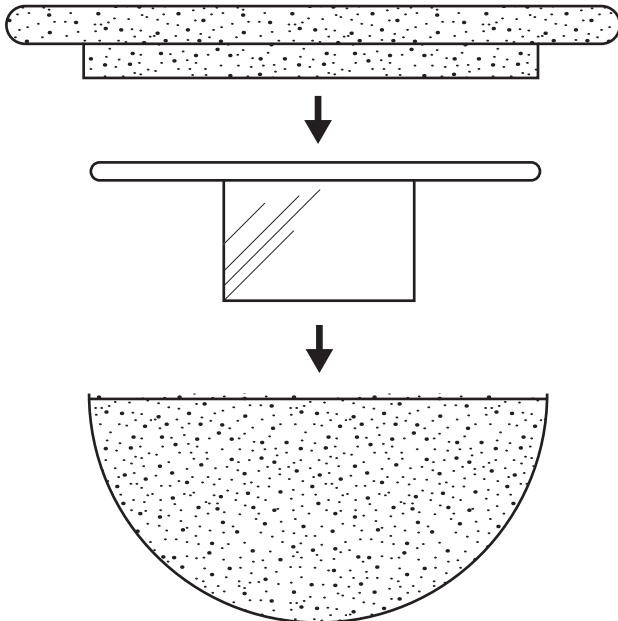
Please refer to the assembly instructions below and the operation manual included with your burner assembly.

---

### Items Included:

- |                               |                        |
|-------------------------------|------------------------|
| 1) Concrete Firebowl          | 4) Burner Assembly Kit |
| 2) Concrete Firebowl Rim      | 5) Ignition Key        |
| 3) Custom Stainless Steel Pan | 6) Lava Rock           |
- 

### Assembly Instruction:



1) Place concrete firebowl outside on a flat stable surface. **Location must be at least 24 inches (2 feet) away from combustible construction on all sides. Refer to burner manual.**

2) Insert stainless steel pan into concrete firebowl.

3) Place concrete rim onto firebowl. Ensure it lays flat and stable. The lip of the rim should not touch the steel pan below.

***Important: Firebowl is not designed to be used without the rim. Operation of firebowl without the rim will void the manufacturer warranty.***

4) Follow instructions included in burner assembly kit to insert burner.

5) Cover all visible area of stainless steel pan, including burner, with lava rock.

---

### Care and Maintenance:

Concrete will weather naturally when left outside. This natural patina will occur over time. To reduce the effects of weather it is recommended to cover the unit when not in use.

To clean the concrete use a sponge and soap, or hose it down.

**Do not use heavy abrasives as they will scratch the surface.**

## Limited 1-Year Warranty

All products are guaranteed, at the time of delivery (i) to meet the product specification,(ii) to conform to the description and standards stipulated on the signed quotation. PureModern warrants, for 1 year, its products against defects in material and workmanship. Surface, color and slight size variations are inherent in the line. PureModern warrants cracks or breaks resulting from a structural defect in the product. Damage resulting from excessive overloading, impact or abnormal abrasion is not covered by this warranty. THIS WARRANTY EXPRESSLY EXCLUDES DAMAGE DUE TO VANDALISM, GROUND MOVEMENT, NEGLIGENCE OR ABUSE. Exposure to salts will also invalidate this warranty.

In the event of any defective product disclosed to PureModern then PureModern shall, at its option, either (i) repair the product or (ii) replace any defective product. PureModern shall not have any liability for claims beyond 1 year. The liability of PureModern shall not, under any circumstances whatsoever exceed the amount of the price paid or payable for the products sold and delivered by PureModern.