

THE MAGNIFYING MIRROR STORE



LINEABETA

5594 3X

**Rectangular Designer
Tabletop Mirror with 3x
Magnification and Fixed
Arm**

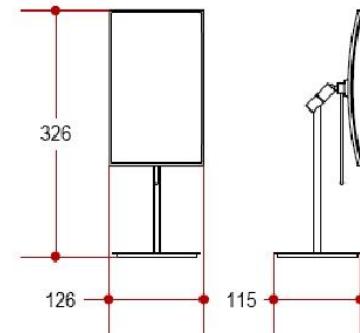
DESCRIPTION

RECTANGULAR Tabletop Bathroom Mirror with magnification designed for use as a shaving and beauty mirror.

- Single sided framed mirror with 3x magnification.
- Mirror protected by a polished stainless steel backing plate.
- Mirror surface approx. 12x17cm.
- Mirror swivels on ball joint at end of the upright arm.
- Chromed brass and stainless steel construction.
- FINISHES: Polished Chrome (stocked)

Design and Quality Check Italy

PRODUCT CODE: LI 5594 (Chrome)



IMPORTED AND
DISTRIBUTED BY

EUROHAUS LTD
PO BOX 20-323
AUCKLAND NZ 0641

WWW.MMS.CO.NZ

SALES@EUROHAUS.CO.NZ

ADDITIONAL NOTES:

.....

.....

.....

.....

.....

.....

.....

.....

.....

.....

.....

.....

.....

.....

.....

.....

.....

.....

.....

.....

.....