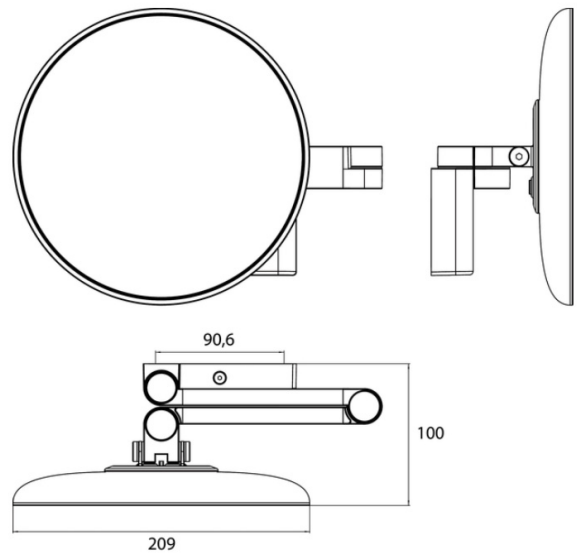


Data Sheet:

# Emco LED Shaving & Cosmetics Mirror, 3x Magnification, 2-arm, Round, Ø 210mm - Art Nr 109506031



## Description:

Wall-mounted Illuminated Bathroom Mirror with magnification designed for use as a Cosmetics Mirror or Shaving Mirror

### Mirror:

- ▶ 200mm diameter single sided mirror with 3x magnification.
- ▶ Distortion Free Crystal glass mirror surface.

### Illumination:

- ▶ Non-replaceable LED illumination.
- ▶ Fully integrated design for direct connection with built in LED driver.
- ▶ Two switches to the rear of the mirror turn the mirror on/off and continuously adjust brightness and luminous colour from cool to warm white (2700-6500 Kelvin).
- ▶ Use with 220-240 Volt mains power supply.

- ▶ IP20 rated for bathroom zones 3.
- ▶ Energy efficiency grade: A - A++
- ▶ CE

### Adjustment:

- ▶ Double arm with 4 swivel points and a max. reach 360mm

**Finish:** Chrome

### Installation:

- ▶ Wall mounted with multiple screws (included)
- ▶ Requires electrical installation

**Brand:** EMCO

**Order Code:** 109506031

**Made in Germany by EMCO**

**Imported and Distributed by:** Eurohaus Limited, PO Box 20-323, Glen Eden, Auckland, NZ 0641  
**info@eurohaus.co.nz**      **www.mms.co.nz**      **www.themagnifyingmirrorstore.co.nz**