

the Sous Chef® 12



EN INSTRUCTION BOOK

FR-CA MANUEL D'INSTRUCTIONS

ES-MX MANUAL DE INSTRUCCIONES

Breville®



Contents

- 2 Breville recommends safety first
- 8 Components
- 10 Assembly
- 11 Functions
- 17 Food Processing Guide
- 19 Care & Cleaning
- 20 Troubleshooting

BREVILLE RECOMMENDS SAFETY FIRST

At Breville we are very safety conscious. We design and manufacture consumer products with the safety of you, our valued customer, foremost in mind. In addition we ask that you exercise a degree of care when using any electrical appliance and adhere to the following precautions.

IMPORTANT SAFEGUARDS

READ ALL INSTRUCTIONS BEFORE USE AND SAVE FOR FUTURE REFERENCE

- Carefully read all instructions before operating the appliance for the first time and save for future reference.
- Blades and cutting discs are sharp. Handle them carefully.
- Remove and safely discard any packaging materials and promotional labels before using the appliance for the first time.
- To eliminate a choking hazard for young children, remove and safely discard the protective cover fitted to the power plug of this appliance.
- To protect against electrical shock, do not immerse the power cord, power plug or motor base in water or any other liquid.

- Do not place the appliance near the edge of a counter top or table during operation. Ensure the surface is level, clean and free of water. Vibration during operation may cause the appliance to move during use.
 - Do not place the appliance on or near a hot gas or electric burner, or where it could touch any other source of heat.
 - Do not use on a sink drain board.
 - Always make sure the food processor is completely assembled before operating. The appliance will not operate unless properly assembled.
 - Ensure the POWER | OFF button has been pressed and the power cord is unplugged from the power outlet before attaching any blade, disc or lid.
 - Handle the food processor and attachments with care.
- Blades and discs are razor-sharp and should be kept out of reach from children.
- To reduce the risk of injury, always secure the processing bowl onto the motor base before attaching the blades or discs.
 - Do not allow the power cord to hang over the edge of a table or counter, touch hot surfaces or become knotted. Unwind the power cord fully before use.
 - Keep hands as well as spatulas and other utensils away from moving blades or discs while processing food, to prevent the possibility of severe personal injury or damage to the food processor. A plastic spatula may be used, but only when the food processor is stopped. Ensure the POWER | OFF button has been pressed to switch the motor off

and remove the power cord from the outlet before removing the lid from the processing bowl.

- Avoid contact with moving parts. Never push food down by hand when slicing or shredding. Always use pusher.
- Make sure motor has completely stopped before removing cover.
- Be sure cover and feed tube are securely locked in place before operating food processor.
- Never try to override or tamper with cover interlock mechanism.
- Always remove the plug from the power outlet if the appliance is not in use, before attempting to move the appliance, before cleaning, disassembling, assembling and when storing the appliance.
- Some stiff mixtures, such as dough, may cause the processing blade to rotate

more slowly than normal. If this happens, do not process for longer than 1 minute.

- Do not process hot or boiling liquids - allow liquids to cool before placing into the processing bowl.
- Do not move appliance while in operation.
- Do not place any part of the food processor in a microwave oven.
- Do not fill the processing bowl above the marked maximum fill line for each type of the ingredients. Failing to follow this instruction may cause product malfunction, product damage or personal injury due to damage to the cover or bowl.
- Always add drier or thicker ingredients to the processing bowl prior to adding fluids.

- Never remove the lid while the appliance is operating. Always use the POWER | OFF or PAUSE buttons to stop the machine before lid removal.
- Care should be taken when removing the food from the processing bowl by ensuring the motor and blade/disc has completely stopped before disassembling. Ensure the POWER | OFF button has been pressed to switch the motor off and unplug the power cord from the power outlet before removing the lid from the processing bowl. The processing bowl should then be unlocked from the motor body and the blade/disc should be carefully removed before attempting to remove the processed food.
- Do not use harsh abrasive, caustic cleaners or oven cleaners when cleaning the appliance.

SAFEGUARDS FOR YOUR FOOD PROCESSOR

- This appliance is for household use only. Do not use the appliance for anything other than its intended purpose as described in this book. Do not use outdoors. Do not use in moving vehicles or boats.
- The use of attachments not sold or recommended by Breville may cause fire, electric shock or injury.
- Do not leave the appliance unattended when in use.
- Ensure the motor and blade/disc have completely stopped before disassembling. Ensure the POWER | OFF button has been pressed to switch the motor off and unplug the power cord from the power outlet when not in use, if left unattended and before assembling, cleaning or storing.

- This appliance is not intended for use by children or by persons with reduced physical, sensory, or mental capabilities, or lack of experience and knowledge.
- Close supervision is necessary when any appliance is used near children.
- Children should be supervised to ensure that they do not play with the appliance.
- Turn the appliance OFF, then unplug from the outlet when not in use, before assembling or disassembling parts and before cleaning.
- To unplug, grasp the plug and pull from the outlet. Never pull from the power cord.
- Regularly inspect the power cord, power plug and actual appliance for any damage. Do not operate any appliance with a damaged cord or plug or after the appliance malfunctions, or is dropped or damaged in any manner. Immediately cease use of the appliance and call Breville Consumer Support.
- For any maintenance other than cleaning, call Breville Consumer Support.
- This appliance has a polarized plug (one blade is wider than the other). To reduce the risk of electric shock, this plug will fit in a polarized outlet only one way. If the plug does not fit fully in the outlet, reverse the plug. If it still does not fit, contact a qualified electrician. Do not modify the plug in any way.

BREVILLE ASSIST® PLUG

- Your Breville appliance comes with a unique Assist® Plug, conveniently designed with a finger hole to ease removal

from the power outlet. For safety reasons it is recommended you plug your Breville appliance directly into its own electrical outlet on a dedicated circuit separate from other appliances. If the electric circuit is overloaded with other appliances, your appliance may not function properly. Use in conjunction with a power strip or extension cord is not recommended.

SHORT CORD INSTRUCTIONS

- Your Breville appliance is fitted with a short power supply cord as a safety precaution to prevent personal injury or property damage resulting from pulling, tripping or becoming entangled with a longer cord. Do not allow

children to use or be near this appliance without close adult supervision. Longer detachable power supply cords or extension cords are not recommended but may be used if care is exercised. If an extension cord is used, (1) the marked electrical rating of the cord set or extension cord should be at least as great as the electrical rating of the appliance, (2) the cord should be arranged so that it will not drape over the countertop or tabletop where it can be pulled on by children or tripped over unintentionally.

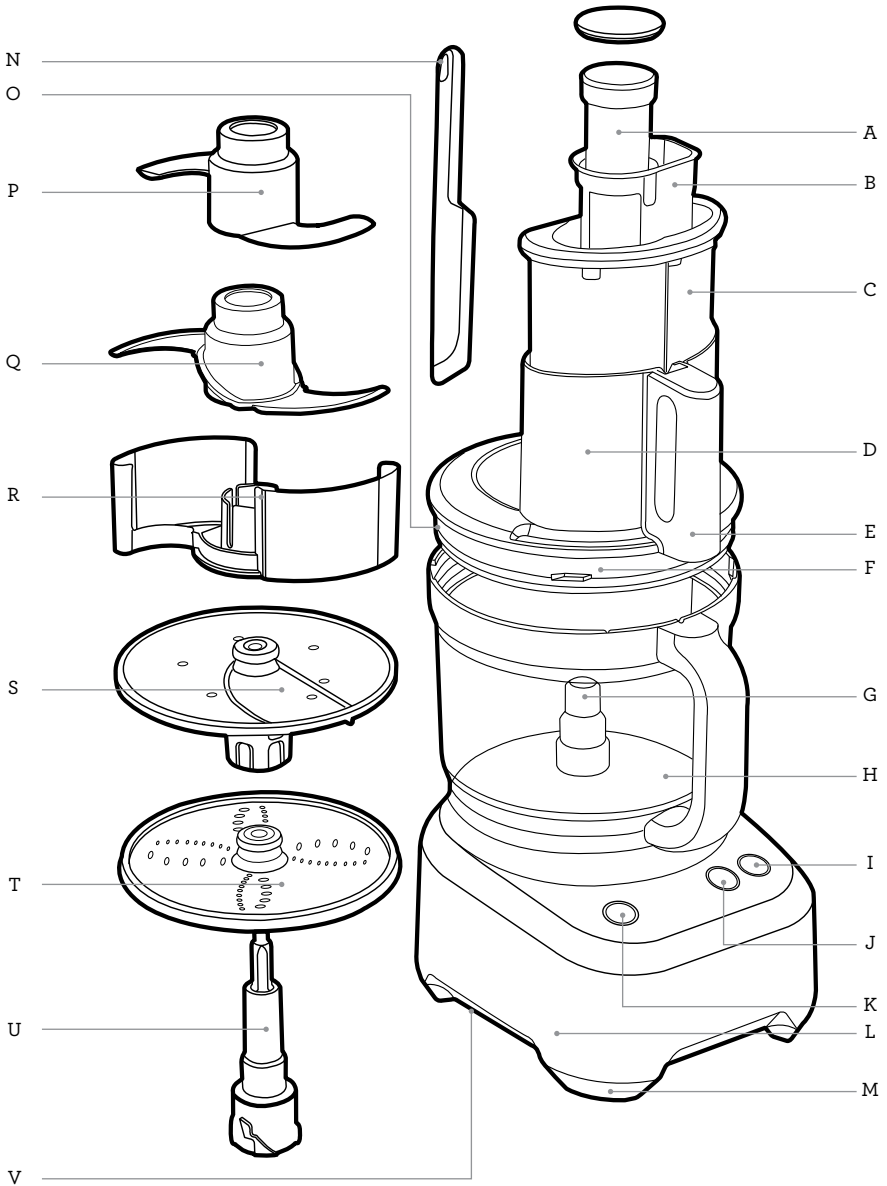
WARNING

- Blades and discs are razor sharp, do not touch. Always use a spatula or brush to remove food or when cleaning blades.

**FOR HOUSEHOLD USE ONLY
SAVE THESE INSTRUCTIONS**



Components



Rating Information
120 V ~ 60 Hz 7.5 A

A. Small food pusher

Use to process smaller ingredients with greater control. It also doubles as a measuring cup for ingredients. The food processor will run continually when the small pusher is out.

B. Mid food pusher

The food processor will run continually whether the mid pusher is in or out.

C. Large food pusher

The food processor will not start unless the large pusher is in place correctly, as it releases the safety interlock system.

D. Extra wide feed chute

5 inch (13cm) wide, for large ingredients.

E. Safety interlock system

Prevents the motor from operating unless the bowl and lid are correctly locked in position, and large feed pusher is inserted.

F. Processing lid

Locks onto the processing bowl and forms part of the safety interlock system.

G. Bowl coupling

Sintered stainless steel motor connector with vibration absorption.

H. Processing bowl

12 cup capacity for dry ingredients and 8½ cups for thick liquid ingredients. Lock onto base by turning clockwise.

I. PULSE button

Press and release for momentary bursts of power.

J. START | PAUSE button

K. POWER | OFF button

Provides power to the food processor unit, and puts it into READY mode.

L. Direct drive motor base

Induction motor for high torque and reliable results.

M. No-skid rubber feet

N. Plastic spatula

Scrape the sides of the bowl to help process ingredients evenly.

O. Silicone seal

This replaceable seal reduces the chance of leakage while processing larger volumes of liquid ingredients.

P. Dough blade

Blunt blade designed for a softer action of combining dough ingredients.

Q. Micro-serrated S-Blade™

Swift action for even chopping, mixing, whipping and processing a variety of ingredients. Safety braking system rapidly stops S-Blades if lid is unexpectedly opened.

R. S-Blade™ cover

S. Adjustable slicer 0.3mm-8.0mm thickness

T. Fine and coarse reversible shredder

U. Spindle

V. Cord storage



Assembly

BEFORE FIRST USE

- Before using your food processor for the first time, remove any packaging material and promotional labels. Ensure the POWER button is OFF and the food processor is unplugged.
- Be careful when handling the blades and discs as they are extremely sharp.
- Wash the processing bowl, processing lid and all attachments in warm soapy water with a soft cloth. Rinse and dry thoroughly. The attachments may be washed in the dishwasher.
- When first using your food processor, you may notice an odor coming from the motor. This is normal and will dissipate with use.
- Always use the food processor on a dry, level work surface.

ASSEMBLY

1. Position the processing bowl onto the motor base with the handle in line with the ALIGN HANDLE graphic on the motor base.



2. Turn the bowl clockwise until the handle locks to the front. The processing bowl should now be securely locked into position. The food processor will not operate unless the bowl is locked into position correctly.



3. The spindle is required when using ALL discs and blades. Failing to use the spindle will damage the parts, and incorrect use this way may cause the parts to fuse together.



4. Before placing the lid onto the processing bowl, position the spindle over the coupling in the center of the processing bowl. Then position your chosen blade or disc over it. The blades drop down lower than the discs.



5. Place lid onto the processing bowl so that the **ALIGN | LOCK** graphics on the lid and handle align. To **LOCK** the lid, hold the chute and turn clockwise so that the handle parts align. Locking the lid correctly will engage the interlocking safety catch on the handle, and allow the motor to run.



Functions

OPERATION

- The food processor will only operate when the processing bowl, lid and large pusher are correctly assembled. This engages the safety interlock, and allows the motor to run.
- The **POWER** button illuminates red when the machine is connected to power and is ready to run.
- The **START** button allows the motor to run continuously until pressed again. If the lid, bowl or large pusher are removed while the motor is running, the button will flash. The motor will resume running when the bowl, lid and large pusher are assembled and the safety interlock is engaged, the button light will be solid (no longer flashing).
- The momentary **PULSE** button is ideal for processing foods that need sudden bursts of power. It also encourages ingredients to move around the bowl. **PULSE** is also best when processing foods that only require processing for a short period of time.
- Use a combination of the **START** and **PULSE** buttons for control when processing food.
- The chute has a **MAX CHUTE FILL** graphic to indicate the maximum volume of food that can be placed in the chute for the pusher to activate the safety locking catch.
- After processing, wait until the blades/discs have stopped moving before unlocking the lid. To ensure safe handling, turn off at the **POWER** button and unplug at the power outlet before handling the blades.
- When removing blades/discs, lift carefully by gripping the plastic hub in the center.

OVERLOAD PROTECTION SYSTEM

- The food processor has an overload protection system to prevent damage to the motor. If activated, the food processor will go into standby mode, and the buttons will flash.
- Unplug and allow to cool for 30 minutes. Once cooled, you will be able to use the food processor as usual again.
- Note that some stiff mixtures (such as bread dough) may cause the blade to rotate more slowly than normal. If this happens, do not process for more than 1 minute.
- If the blades or discs jam with food while processing, immediately unplug from the power outlet before clearing the wedged food. If this happens more than once, the bowl may be overloaded. Try processing in smaller batches.

CHOPPING WITH THE MICRO-SERRATED S-BLADE™

The S-blade chops raw and cooked food to the consistency required, from coarsely chopped to minced. The blades process very efficiently, and may take less time than expected to process many large tasks.

Always remember to place the spindle and S-blade into the processing bowl before adding the food.

Avoid over-processing by checking the consistency frequently. For many tasks, we recommend using the PULSE button, as it may only take a few seconds to fully process food to your desired consistency.

If necessary, turn the POWER off and use a spatula to scrape down the sides of the bowl to encourage even processing.

Carefully remove the S-blade after pureeing food and use a spatula to scrape food adhering to the blade and bowl.

Raw vegetables, fruit and cooked meats

Trim and cut food into 1 inch (2.5cm) cubes. Process no more than 6 cups at a time using the PULSE button at 1-2 second intervals until chopped to desired size or consistency.

Raw meat, chicken and fish

Trim excess fat and cut food into 1 inch (2.5cm) cubes. Ensure all bones are removed. Chill for a short time in freezer until firm as this will help to cut through the food more readily. Process no more than 2¼ pounds (or 1kg) of raw meat at a time. At this capacity the motor should run for no more than 30 seconds at a time. Use a combination of the START and the PULSE button until chopped or minced to the desired consistency.

Garlic, chilli and ginger

Peel garlic cloves and process them whole. Leave chillies whole, or remove seeds for milder chilli. Peel and cut ginger into 1 inch (2.5cm) cubes.

For other solid herbs like lemongrass or galangal, peel and cut into cubes or pieces between ½ and 1 inch in size.

Size should be made smaller for harder or more dense herbs.

Process using the PULSE button at 1-2 second intervals until chopped to the desired consistency.

Store chopped herbs with a little vegetable oil in an airtight container in the refrigerator for up to 1 week.

If adding garlic, chilli or ginger to other ingredients, drop whole pieces down the small feed chute while the motor is running.

Leafy herbs

Wash and dry herbs thoroughly. Remove any coarse stems. Process no more than 2 bunches of herbs (approx. 4 cups) at a time using the PULSE button at 1-2 second intervals until chopped to the desired consistency.

Use leafy herbs immediately for the most aromatic results in your recipe.

Nuts

Process no more than 4½ cups of shelled nuts at a time using the PULSE button at 1-2 second intervals until chopped to the desired consistency.

Dried fruit

Dried fruit can be sticky, and may stick to the blades during processing. We recommend putting dried fruit in the freezer for about 10 minutes before processing. Process no more than 2 cups at a time using the PULSE button at 1-2 second intervals until chopped to the desired consistency.

If chopping fruit to add to cake mixture, process the fruit before making the cake mix. Add a little flour (from the quantity of flour in the recipe) to prevent fruit from sticking to the S-blade.

We do not recommend to process large dried fruits such as dates and figs.

Soft breadcrumbs

Break stale bread into chunks (fresh bread will stick to blades). Process no more than 4-6 slices at a time using the PULSE button at 1-2 second intervals until crumbed to desired consistency. For best results when making bread crumbs, add one slice at a time.

Dried breadcrumbs

Tear bread into chunks and toast in oven until golden and crisp. Do not over brown. Process no more than 4-6 slices at a time using the PULSE button at 1-2 second intervals.

Cookie crumbs

Break cookies into quarters, and weigh a maximum of 8oz (250g). Process using the PULSE button at 1-2 second intervals until chopped to the desired consistency. Sweet or savory cookie crumbs can be used as an alternative to pastry for sweet or savory pies.

Do not process very hard cookies as this may damage the blades.

PURÉEING WITH THE MICRO-SERRATED S-BLADE™

The S-blade purées raw and cooked food to the consistency required, including baby food. The blades process very efficiently, and cut the time needed to purée many tasks.

Always remember to place the S-blade into the processing bowl before adding the food.

Carefully remove the S-blade after puréeing food and use a spatula to scrape food adhering to the blade and bowl.

Baby food

Trim and cut vegetables and meat into 1 inch (2.5cm) cubes. Cook vegetables and meat before processing. Process no more than 6 cups at a time (using the START button in intervals) until the food is puréed to a smooth and even consistency. Stock, milk or gravy can be added through the small feed chute if the mixture becomes too thick.

Excess baby food can be frozen in ice-cube trays, and packed in single serve freezer bags ready for use.

Peanut butter

Process no more than 4½ cups of shelled nuts at a time using the START button until chopped to the desired consistency.

The volume of nuts reduces after processing, for example 2 cups of nuts will make around 1 cup of nut butter.

Natural nut butter (without using stabilizers) will separate on standing, and needs to be stirred before use.

MIXING WITH THE MICRO-SERRATED S-BLADE™

The S-blade mixes ingredients for cakes, batters, and cookie doughs.

The S-blade can also emulsify egg-based sauces such as mayonnaise.

Always remember to place the spindle and S-blade into the processing bowl before adding the food.

Carefully remove the S-blade after pureeing food and use a spatula to scrape food adhering to the blade and bowl.

Butter cake and cookie dough

Place softened, chopped butter and sugar into the processing bowl. Process using the START button until the mixture is lightly creamed. With the motor running, add eggs one at a time through the small feed chute, mixing well after each egg is added. Take lid off and add liquid and dry ingredients to the mixture. Process using the PULSE button until folded evenly. Scrape down sides of bowl as needed. Do not over-process.

Add choc chips, nuts, dried fruit, etc. after the main mixture is done. Use the PULSE button in very short bursts until the additions are combined. Do not over-process, as these larger ingredients will break down quickly.

Quick-mix cakes and batters

Place all ingredients in the bowl, starting with liquids, and being careful not to exceed the MAX LIQUID level. Process using the PULSE button until folded evenly. Scrape down sides of bowl as needed. Do not over-process.

This method can also be used for melt 'n' mix cakes, packet cake mixes and crêpe batters.

Pastry dough

Place flour and chilled, cubed butter into the processing bowl.

Do not process more than 2 cups (300g) of flour (using the START button in intervals) until the butter is absorbed into the flour.

Steadily add liquid through the small feed chute with the motor still running. Process until the mixture forms a ball.

KNEADING WITH THE DOUGH BLADE

Always remember to place the spindle and dough blade into the processing bowl before adding the food.

The edges of the plastic dough blade create a softer action for combining dough ingredients. The dough blade encourages the gluten strands to be stretched rather than cut, and should be used for all yeast doughs, and any other doughs that require kneading

Bread or pizza dough

Place flour and dry ingredients into the processing bowl, including instant active dry yeast.

Do not process more than 5 cups (700g) of flour (using the START button in intervals).

Steadily add liquid (including oil) through the small feed chute with the motor still running. Process until the mixture forms a soft, elastic dough ball. This normally takes about 45-60 seconds. Do not over process.

Transfer dough ball to a lightly floured surface and knead for a further 5 minutes if necessary until soft and pliable.

If processing more than two recipes of dough ingredients (maximum 700g flour), allow the motor base to cool for an extended period before subsequent kneading to prevent the motor from overloading.

Place dough into a large, greased mixing bowl and cover. Allow the dough to rise in a warm place until double in size. Turn the dough out onto a lightly floured surface and knead again until smooth and elastic. Shape the dough then allow to rise in a warm area before baking in a hot oven.

SLICING, GRATING AND SHREDDING

Important: The spindle must be used with both the adjustable slicer and the reversible shredder/grater.

Carefully remove the S-blade after pureeing food and use a spatula to scrape food adhering to the blade and bowl.

Adjustable slicer

The adjustable slicer will slice food to an even and consistent thickness. It can be adjusted to 24 settings, from very fine (0.3mm) to thick (8.0mm). To adjust the slicing thickness, hold the adjustable slicing disc by the outer edge with one hand, and turn the adjustment dial on the underside with the other hand. An arrow graphic indicates the thickness of the slice you will get.

Reversible grater and shredder

This disc has an array of small blades on both sides of the disc. Align the disc so larger holes face up for courser textured results, or with the smaller holes facing up for finer results. The discs are labelled showing which side faces up.

CONTROLLING THE INGREDIENTS

It is important to position the food in the chute to gain maximum control and best results.

Smaller ingredients

For long thin foods such as carrots, cucumbers, zucchini, etc., use the small feed chute. This will avoid the ingredient from tipping over during slicing.

Larger ingredients

The wide feed chute is 5in (13cm) wide, and can fit ingredients up to this size. The chute can be packed to fill the width of the chute. The food should fit snugly so it is supported in an upright position in the chute, but not so tight that it could prevent the food from moving down the chute.

Medium feed chute

Use the medium feed chute for 'in-between' food processing. The medium feed chute is 2¾ in (7cm) wide, and can fit ingredients up to this size. The chute can be packed to fill the width of the chute. The food should fit snugly so it is supported in an upright position in the chute, but not so tight that it could prevent the food from moving down the chute.

Take care not to overfill the chute, as the pusher will not activate the interlock safety catch if the chute is too full. Do not fill over the MAX CHUTE FILL graphic.

Ensure the large pusher is in place before using the medium pusher.

Pressure

When processing, never force the food down the chute as this can damage the discs.

Apply light pressure for soft foods such as tomatoes and bananas.

Apply medium pressure for firmer foods such as potatoes and apples.

Apply firm pressure for hard foods such as parmesan cheese and deli meats such as salami.

Round fruit and vegetables

Prepare fruit or vegetables by washing and peeling (if necessary).

Small fruit and vegetables should be trimmed on one end so the food sits flat inside the feed chute.

Large fruit and vegetables may need to be cut in half to fit in the chute. Pack the chute from left to right.

Long fruit and vegetables

Prepare fruit or vegetables by washing and peeling (if necessary).

Ingredients can be cut cross-sectionally to create circular results. Use the small and medium feed chute, or pack ingredients vertically in the large feed chute.

Ingredients can be cut lengthwise to create ribbons. Use the large feed chute, and trim ingredients if necessary to encourage them to sit flat in the feed chute when the disc starts. Pack the large feed chute horizontally.

Leafy vegetables

Cut cabbage into wedges to fit the feed chute. For lettuce, separate leaves, then roll up and pack vertically in the feed chute.

Cheese

Caution should be taken when processing cheese in a food processor. For soft cheese such as mozzarella, partially freeze it until firm. This will help prevent jamming the disc.

Round cheeses such as mozzarella should be trimmed at one end to encourage them to sit flat in the feed chute with the disc starts.

Hard cheeses such as parmesan must be checked first to ensure they are not too hard (to avoid damaging blade edges). The cheese should slice easily with a sharp knife and remove the rind before processing.

Wedged shaped cheeses such as parmesan can be packed side by side to form a rectangular shape in the chute.

Deli meats

Cut in lengths to fit the height of the feed chute. The length must not be higher than MAX CHUTE FILL graphic. Pack with the cut side facing down. For hard cured sausages like salami and pepperoni trim on one end and process one sausage at a time through the small or medium feed chute, depending on size.

Grated Chocolate

Break a block of chocolate into small pieces, and chill until firm. Pack into the small feed chute, and then grate using either the coarse or fine side of the reversible shredder (do not use S-blade or adjustable slicer).



Food Processing Guide

For more information about preparation of food and how to process, refer to basic processing techniques. For specific recipes, refer to the recipe section.

FOOD	BLADE TYPE	ADJUSTABLE SLICING DISC THICKNESS	RECOMMENDED DISC TYPE
Avocado	S-blade Use: Guacamole	2-5	
Beets (cooked)		2-5	Shredder Use: Salad
Butternut Squash	S-blade Use: Butternut squash soup		
Cabbage / Lettuce		Thin 1-2 and med 2-3 Use: Accompaniment	Shredder Use: Salad
Carrot	S-blade Use: Vegetable soup	0-5	Shredder Use: Salad
Cauliflower (cooked)	S-blade Use: Cauliflower soup		
Celery	S-blade Use: Vegetable soup	Thin 1-2 med 2-3 Use: Salad	
Eggplant	S-blade Use: Accompaniment, dip	2-5 Use: Grilled eggplant	
Herbs	S-blade Use: Seasoning or pesto		
Leeks	S-blade Use: Soups, sauces	2-5 Use: Vegetable soup	
Onion	S-blade Use: Soups, sauces	0-5 Use: Salad	
Potatoes		0.3-6 Use: Potato au Gratin	Shredder Use: hash browns
Potatoes (cooked)	S-blade Use: Mash potato, gnocchi		
Tomatoes	S-blade Use: Salsa	2-5 Use: sandwich filling, caprese salad, tomato relish	

FOOD	BLADE TYPE	ADJUSTABLE SLICING DISC THICKNESS	RECOMMENDED DISC TYPE
Apple / Pear	S-blade Use: Apple sauce	2-5 Use: Apple pie	
Apple / Pear (cooked)	S-blade Use: Baby food	4-6 Use: Fruit salad	
Dried Fruit	S-blade Use: Fruit salad, dessert sauce		
Batters	S-blade Use: Cakes, pancake, waffle batter		
Breadcrumbs	S-blade Use: Coatings, breadcrumb stuffing		
Cheese		2-5 Use: Garnish, sandwich fillings	Shredder - coarse or fine Use: Grated cheese for pizza
Chocolate	S-blade Use: Chocolate ganache, chocolate chip cookies		Shredder - Coarse or fine Use: Dessert decoration
Doughs (pastry)	S-blade Use: Tarts, Pies		
Doughs (bread, pizza)	Dough blade Use: Bread, pizza		
Eggs (whole or yolks)	S-blade Use: Mayonnaise, Hollandaise sauce		
Meat (raw)	S-blade Use: Meatloaf, burgers, meatballs		
Meat (cooked)	S-blade Use: Sandwich fillings, pate, baby food		
Meat (deli)		1-6 Use: Sandwiches, antipasto, pizza toppings	



Care & Cleaning

Remove the power cord from the power outlet after use for safety reasons.

Processing bowl and lid

Due to the interlock components, we do not recommend immersing the bowl in water for long periods.

To keep your bowl and lid clean, and to avoid food drying on, follow these steps as soon as possible after use:

- Rinse most of the ingredients off the bowl and lid.
- Hand wash in warm, soapy water using a mild liquid detergent and non-abrasive sponge.

Blades and discs

Blades and discs are razor sharp, do not touch. Always use a spatula or brush to remove food or when cleaning blades.

Motor base

To clean the motor base, wipe with a soft, damp cloth then dry thoroughly. Wipe any excess food particles from the power cord.

Cleaning agents

Do not use abrasive scouring pads or cleansers on either the motor base or the jug, as they may scratch the surface. Use only warm soap water with a soft cloth.

Dishwasher

The processing bowl and lid may occasionally be washed in the dishwasher (top shelf only), however washing in the dishwasher is not recommended on a regular basis, as prolonged exposure to harsh detergents, hot water and pressure will damage and shorten the life of the plastic and the interlock components.

Stubborn food stains and odors

Strong smelling foods such as garlic, fish and some vegetables such as carrots may leave an odor or stain the bowl or lid.

To remove, pour warm soapy water and fill to the MAX LIQUID mark. Set aside to soak for 5 minutes, without immersing the whole bowl. Then wash with a mild detergent and warm water, rise well and dry thoroughly. Store the bowl with the lid off.

Storage

Place the large food pusher (with medium and small pushers inserted) into the feed chute for storage.

Store your food processor upright, with the bowl and lid resting in position, but not locked. Locking the bowl and lid can put unnecessary strain on the safety interlock.

All accessories should be kept in a safe place out of the reach of children to avoid accidental cuts. It is not recommended to store the discs in a drawer with other utensils.

We recommend storing the S-blades inside the bowl, with the variable slicer on top. These blades are extremely sharp, and the bowl provides natural protection.

Do not place anything else on top of your food processor during storage.



Troubleshooting

PROBLEM	EASY SOLUTION
Food is unevenly processed	<ul style="list-style-type: none">• Ingredients should be cut evenly into 1 inch (2.5cm) pieces before processing.• Ingredients should be processed in batches to avoid overloading.
Slices are slanted or uneven	<ul style="list-style-type: none">• Place evenly cut food into the feed chute.• Apply even pressure on the pusher.
Food falls over in the feed chute	<ul style="list-style-type: none">• The large feed chute must be packed full for best results. If processing smaller quantities, place items to the far left in the feed chute, or use the small or medium feed chute, depending on the food size.
Some food remains on top of the disc after processing	<ul style="list-style-type: none">• It is normal for small pieces to remain after processing.
Motor slows down when kneading dough	<ul style="list-style-type: none">• Amount of dough may exceed maximum capacity. Remove half and process in two batches.• Dough may be too wet (see below). If motor speeds up, continue processing. If not, add more flour, 1 tablespoon at a time until the motor speeds up. Process until dough cleans the side of the processing bowl.
Dough doesn't clean inside of the processing bowl	<ul style="list-style-type: none">• Amount of dough may exceed food processor maximum capacity. Remove half and process in two batches.• Dough may be too dry (see below).
Dough feels tough after kneading	<ul style="list-style-type: none">• Divide dough into 2 or 3 pieces and redistribute evenly in processing bowl. Process 10 seconds or until uniformly soft and pliable.
Dough is too dry	<ul style="list-style-type: none">• While machine is running, add water through the small feed chute, 1 tablespoon at a time until dough cleans the inside of the processing bowl.
Dough is too wet	<ul style="list-style-type: none">• While machine is running, add flour through the small feed chute, 1 tablespoon at a time until dough cleans the inside of the processing bowl.
Dough becomes sticky and attached to dough blade, machine vibrating	<ul style="list-style-type: none">• Reduce process time. Stop the machine when dough balls just formed. This will take about 45-60 seconds.

PROBLEM**EASY SOLUTION**

The motor does not start

- There is a safety interlock switch to prevent the motor from starting if it is not properly assembled. Make sure the processing bowl and lid are securely locked into position.
- If you are slicing or shredding and the above solution does not work, make sure that the food contents in the feed chute are cut below the maximum fill line so that the activation rod can engage the motor.
- Make sure the large food pusher is inserted in the feed chute low enough to engage safety interlock switch.
- If the motor still will not start, check the power cord and power outlet.

The food processor shuts off during operation

- The lid may have become unlocked; check to make sure it is securely in position.
- If the motor overloads, all buttons will flash in unison. Unplug at the wall, and allow the food processor to cool for 20-30 minutes before resuming.

The motor slowed down during operation

- This is normal as some heavier loads (e.g. slicing/shredding cheese) may require the motor to work harder. Reposition the food in the feed chute and continue processing.
- The maximum load capacity may have been exceeded. Remove some of the ingredients and continue processing.

The food processor vibrates/moves during processing

- Make sure the rubber feet at the bottom of the unit are clean and dry. Also make sure that the maximum load capacity is not being exceeded.
- This is normal as some heavier loads may require the motor to work harder.



Notes

the Sous Chef® 12



FR-CA MANUEL D'INSTRUCTIONS

Breville®



Table des matières

- 2 Breville vous recommande
la sécurité avant tout
- 9 Composants
- 11 Assemblage
- 12 Fonctions
- 18 Guide de traitement
des aliments
- 20 Entretien & Nettoyage
- 21 Guide de dépannage

BREVILLE VOUS RECOMMANDE LA SÉCURITÉ AVANT TOUT

Chez Breville, la sécurité occupe une place de choix. Nous concevons et fabriquons des produits de consommation sans jamais perdre de vue la sécurité de notre précieuse clientèle. De plus, nous vous demandons d'être très vigilant lorsque vous utilisez un appareil électrique et de respecter les mesures de sécurité suivantes:

IMPORTANTES MESURES DE SÉCURITÉ POUR TOUT APPAREIL ÉLECTRIQUE

LISEZ TOUTES LES INSTRUCTIONS AVANT LA PREMIÈRE UTILISATION ET CONSERVEZ-LES À TITRE DE RÉFÉRENCE

- Lisez attentivement toutes les instructions avant de faire fonctionner l'appareil pour la première fois et conservez-les à titre de référence.
- Les lames et les disques sont tranchants. Manipulez-les avec soin.
- Retirez et jetez tout matériel d'emballage et étiquettes promotionnelles avant d'utiliser l'appareil pour la première fois.

- Afin d'éliminer les risques de suffocation chez les jeunes enfants, retirez et disposez de l'enveloppe protectrice recouvrant la fiche de l'appareil.
- Pour vous protéger contre les chocs électriques, ne plongez pas le cordon d'alimentation, la fiche ou le socle motorisé dans l'eau ou tout autre liquide.
- Ne placez pas l'appareil sur le bord d'un comptoir ou d'une table lorsqu'il est en marche. Assurez-vous que la surface de travail est de niveau, propre et sèche. La vibration causée par le fonctionnement du moteur peut faire bouger l'appareil.
- Ne placez pas l'appareil près d'un brûleur au gaz ou électrique ou là où il pourrait toucher une source de chaleur.
- Ne l'utilisez pas sur le plateau d'égouttement du lavabo.
- Assurez-vous que le robot culinaire est parfaitement assemblé avant de le faire fonctionner, sinon, il ne fonctionnera pas.
- Veillez à mettre le robot ménager hors tension en appuyant sur la touche MARCHE/ARRRÊT et à débrancher l'appareil avant d'y assembler les lames, les disques ou le couvercle.
- Manipulez le robot culinaire et les accessoires avec soin. Les lames et les disques sont extrêmement tranchants et doivent demeurer inaccessibles aux enfants.
- Afin de réduire le risque de blessures, verrouillez toujours le bol du robot sur le socle motorisé avant d'assembler les lames ou les disques.
- Ne laissez pas le cordon d'alimentation pendre d'un comptoir ou d'une table, toucher des surfaces chaudes ou se nouer.

- Déroulez-le complètement avant l'usage.
- Afin de prévenir le risque de blessure corporelle importante ou de dommage à l'appareil, gardez les mains, les spatules ou tout autre ustensile loin des lames ou disques durant le fonctionnement. L'utilisation d'une spatule de plastique est conseillée, mais uniquement lorsque le moteur est arrêté. Assurez-vous d'avoir éteint l'appareil en pressant la touche MARCHE | ARRÊT et l'avoir débranché de la prise murale avant de retirer le couvercle du bol.
 - Évitez tout contact avec les pièces en mouvement de l'appareil. Ne poussez jamais les aliments avec vos mains lors du tranchage ou du déchiquetage des aliments. Utilisez toujours le poussoir fourni.
 - Assurez-vous que le moteur est complètement arrêté avant de retirer le couvercle.
 - Assurez-vous que le couvercle et le tube d'alimentation sont bien verrouillés avant de faire fonctionner le robot culinaire.
 - Ne tentez jamais de contourner ou de modifier le mécanisme de verrouillage du couvercle.
 - Débranchez toujours l'appareil s'il n'est pas en usage ou avant de tenter de le déplacer, avant de le nettoyer, le démonter, l'assembler ou le ranger.
 - Certains mélanges plus coriaces, comme la pâte, peuvent ralentir la vitesse de rotation des lames ou des disques. Dans ce cas, ne traitez pas les aliments plus d'une minute.

- Ne traitez pas de liquides chauds ou bouillants; laissez-les refroidir avant de les mettre dans le bol du robot.
- Ne déplacez pas l'appareil lorsqu'il est en marche.
- Ne mettez aucune pièce du robot dans le micro-ondes.
- Ne remplissez pas le bol de préparation au-delà de la limite de remplissage maximale indiquée pour chaque type d'ingrédient. Le non-respect de ces instructions peut entraîner un dysfonctionnement du produit, des dommages au produit ou des blessures corporelles en raison de dommages au couvercle ou au bol.
- Ajoutez toujours les ingrédients plus secs ou plus épais dans le bol de traitement avant d'ajouter des liquides.
- Ne retirez jamais le couvercle quand l'appareil fonctionne. Utilisez les touches MARCHÉ | ARRÊT ou PAUSE pour arrêter le moteur avant de retirer le couvercle.
- Soyez prudent lorsque vous retirez les aliments du bol. Assurez-vous d'abord que le moteur et les lames ou disques sont complètement immobilisés. Avant de retirer le couvercle, assurez-vous d'avoir éteint l'appareil en pressant la touche MARCHÉ | ARRÊT et l'avoir débranché de la prise murale. Le bol doit être déverrouillé du socle motorisé et les lames ou disques doivent être retirés délicatement avant de tenter d'extraire les aliments traités.
- N'utilisez pas de détergents abrasifs, de produits caustiques ou de nettoyeurs pour le four pour nettoyer l'appareil.

MESURES DE SÉCURITÉ POUR VOTRE ROBOT CULINAIRE

- Cet appareil est conçu pour un usage domestique seulement. Ne l'utilisez pas à d'autres fins que celles prévues. Ne l'utilisez pas à l'extérieur ou dans un véhicule ou un bateau en mouvement.
- L'usage d'accessoires non vendus ou recommandés par Breville peut causer des risques d'incendie, de choc électrique ou de blessure.
- Ne laissez pas l'appareil sans surveillance lorsqu'il est en marche.
- Veillez à ce que le moteur et les lames ou disques soient complètement immobilisés avant de les retirer. Assurez-vous d'avoir éteint l'appareil en pressant la touche MARCHE | ARRÊT et l'avoir débranché de la prise murale s'il n'est pas utilisé, s'il est laissé sans surveillance ou avant de l'assembler, le nettoyer ou le ranger.
- Cet appareil n'est pas destiné à être utilisé par des enfants ou des personnes ayant des capacités physiques, sensorielles ou mentales réduites ou un manque d'expérience et de connaissances.
- Une étroite surveillance est requise lorsqu'un appareil est utilisé à proximité d'enfants.
- Les enfants doivent être surveillés pour s'assurer qu'ils ne jouent pas avec l'appareil.
- Éteignez l'appareil, puis débranchez-le lorsqu'il n'est pas utilisé, avant d'assembler ou de retirer des pièces ou avant de le nettoyer.
- Pour le débrancher, saisissez la fiche et retirez-la de la prise murale. Ne

tirez jamais sur le cordon d'alimentation.

- Vérifiez régulièrement si le cordon d'alimentation, la fiche ou l'appareil lui-même est endommagé. Ne faites pas fonctionner cet appareil avec un cordon ou une fiche endommagée ou si l'appareil fonctionne mal, a subi une chute ou est endommagé de quelque façon. Cessez immédiatement l'usage de l'appareil et appelez le Soutien aux consommateurs de Breville.
- Pour tout entretien autre que le nettoyage, appelez le Soutien aux consommateurs de Breville.

- Cet appareil est muni d'une fiche polarisée (une lame est plus large que l'autre). Pour réduire le risque de décharge électrique, cette fiche s'insère d'une seule façon dans une prise polarisée. Si la fiche n'entre pas complètement dans la prise, inversez-la. Si elle ne rentre toujours pas, contactez un électricien qualifié. Ne modifiez la fiche d'aucune façon.

FICHE ASSIST[®] DE BREVILLE

- Votre appareil Breville est muni d'une fiche exclusive Assist[®] conçue spécialement avec un anneau pour laisser passer un doigt et faciliter le retrait de la prise électrique.

- Par mesure de sécurité, il est recommandé de brancher l'appareil dans une prise individuelle sur un circuit indépendant séparé des autres appareils. Une surcharge électrique peut altérer le bon fonctionnement de l'appareil. Il est déconseillé d'utiliser une barre d'alimentation ou une rallonge.

COURT CORDON D'ALIMENTATION

Votre appareil Breville est muni d'un cordon d'alimentation relativement court et très sécuritaire qui réduit le risque de blessures corporelles ou dommages pouvant être causés par le fait de tirer, trébucher ou s'enchevêtrer dans un cordon plus long. Ne laissez pas les enfants utiliser

ou être à proximité de l'appareil sans surveillance étroite d'un adulte.

Les cordons d'alimentation détachables plus longs ou les rallonges ne sont pas recommandés, mais peuvent être utilisés avec prudence. Si vous utilisez une rallonge:

(1) sa puissance nominale doit être au moins équivalente ou supérieure à la puissance nominale de l'appareil;

(2) la corde ne doit pas pendre d'un comptoir ou d'une table où de jeunes enfants pourraient s'y suspendre ou trébucher.



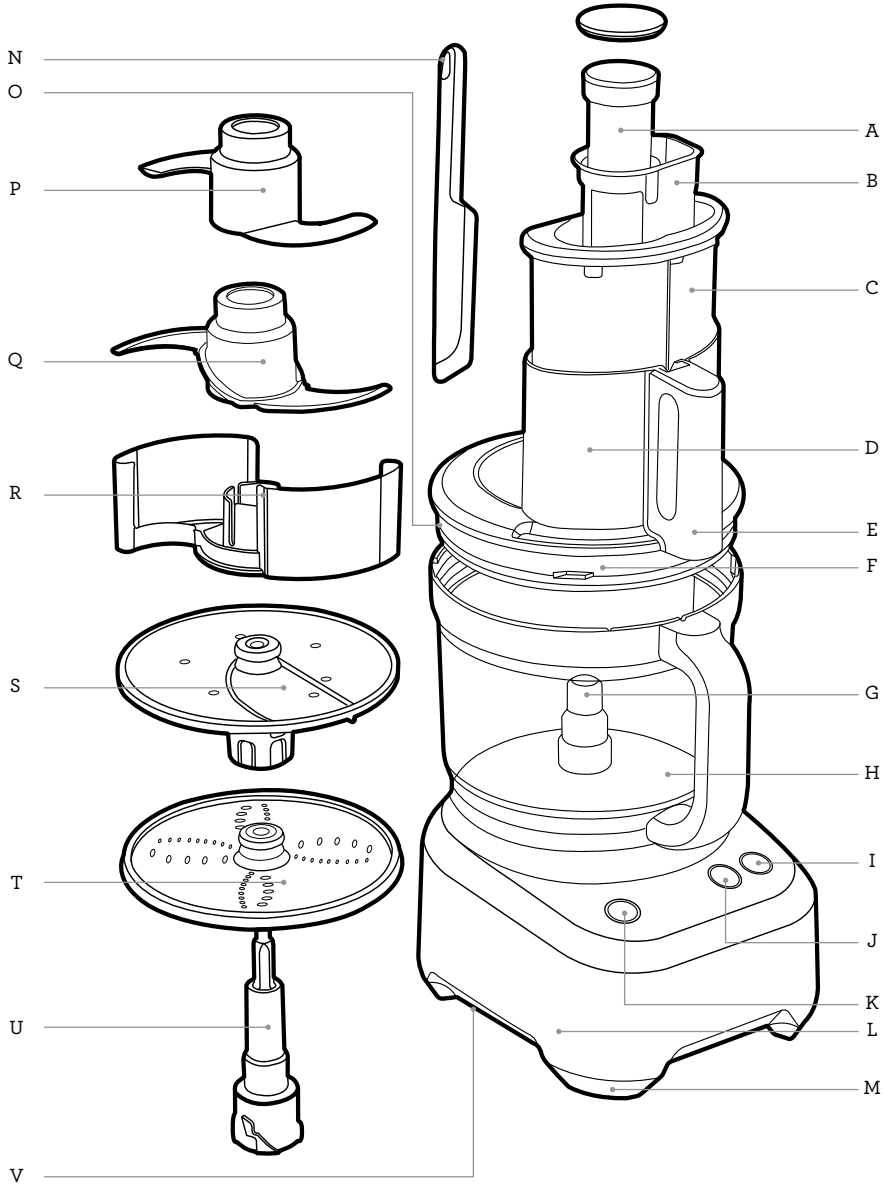
ATTENTION

Les lames et les disques sont tranchants, ne les touchez pas. Utilisez toujours une spatule ou une brosse pour les nettoyer ou dégager les aliments.

**USAGE DOMESTIQUE SEULEMENT
CONSERVEZ CES INSTRUCTIONS**



Composants



Informations énergétiques
120 V ~ 60 Hz 7.5 A

A. Petit poussoir

Se retire pour traiter les aliments de petite taille avec un contrôle accru. Peut aussi servir de tasse à mesurer. À noter que le robot continuera de fonctionner, que le petit poussoir soit en place ou non.

B. Moyen poussoir

Le robot culinaire continuera de fonctionner, que le moyen poussoir soit en place ou non.

C. Gros poussoir

À noter que le robot culinaire ne démarrera pas si le gros poussoir n'est pas inséré correctement, car il enclenche le système de verrouillage de sécurité.

D. Large tube d'alimentation

13 cm (5 po) de largeur, pour les gros aliments.

E. Système de verrouillage de sécurité

Empêche le moteur de tourner si le bol et le couvercle ne sont pas verrouillés et si le gros poussoir n'est pas inséré dans le tube.

F. Couvercle du bol de transformation

Se verrouille sur le bol et fait partie intégrante du système de verrouillage de sécurité.

G. Couplage du bol de transformation

Connecteur du moteur en inox fritté avec amortisseur de vibration.

H. Bol de transformation

Bol de 12 tasses pour les ingrédients secs et bol de 8½ tasses pour les ingrédients liquides plus épais (comme les soupes). Le bol se verrouille sur le socle motorisé en le tournant en sens horaire.

I. Bouton IMPULSION

Presser et relâcher pour de brèves impulsions.

J. Touche DÉMARRER | PAUSE

K. Touche MARCHÉ | ARRÊT

Alimente le robot en mode de fonctionnement.

L. Moteur à entraînement direct

Moteur à induction à couple élevé, pour des résultats fiables.

M. Pieds caoutchoutés antidérapants

N. Spatule en plastique

Pour racler les parois du bol et faciliter la transformation uniforme des ingrédients.

O. Joint de silicose

Ce joint remplaçable réduit le risque de débordement lorsque le volume d'ingrédients liquides est élevé.

P. Lame à pâte

Lame émoussée conçue pour combiner délicatement les ingrédients de la pâte.

Q. Lame en S microdentelée S-Blade^{MC}

Hache, mélange, fouette et traite rapidement une variété d'ingrédients.

R. Couvercle de la lame S-Blade^{MC}

S. Disque éminceur réglable - 0,3 - 8,0 mm d'épaisseur

T. Disque déchiqueteur/râpe réversible -fin ou grossier

U. Tige de rotation

V. Rangement du cordon



Assemblage

AVANT LA PREMIÈRE UTILISATION

- Avant d'utiliser votre robot culinaire pour la première fois, retirez tout matériel d'emballage et étiquettes promotionnelles. Assurez-vous d'avoir éteint l'appareil en pressant la touche MARCHÉ et l'avoir débranché de la prise murale.
- Soyez prudent lorsque vous manipulez les lames ou les disques, car ils sont extrêmement tranchants.
- Lavez le bol de transformation, le couvercle et les accessoires à l'eau chaude savonneuse, à l'aide d'un chiffon doux. Rincez et séchez correctement. Les accessoires peuvent être lavés au lave-vaisselle.
- Lors de la première utilisation de votre robot culinaire, vous pourriez remarquer qu'une faible odeur se dégage du moteur. Cela est normal et se résorbera à l'usage.
- Utilisez toujours le robot culinaire sur une surface sèche et de niveau.

ASSEMBLAGE

1. Placez le bol de transformation sur le socle motorisé, en alignant la poignée sur l'inscription ALIGN HANDLE inscrite sur socle motorisé.



2. Tournez le bol en sens horaire jusqu'à ce que la poignée s'enclenche. Le bol se verrouillera en place. Le robot culinaire ne fonctionnera pas si le bol n'est pas bien sécurisé et verrouillé en place.



3. La tige de rotation est requise lors de l'utilisation de TOUS les disques et les lames. Le défaut d'utiliser cette tige pourrait endommager les pièces et une utilisation inadéquate pourrait les entremêler et les abîmer.



4. Avant de placer le couvercle sur le bol de transformation, centrez la tige de rotation dans le bol. Installez ensuite la lame ou le disque sur la tige. Les lames descendent plus bas que les disques.



- Placez le couvercle sur le bol de transformation pour que l'indication ALIGN | LOCK (aligner | verrouiller) sur le couvercle soit alignée avec la poignée. Pour VERROUILLER le couvercle, maintenez le tube d'alimentation et tournez-le en sens horaire pour que les poignées soient alignées. Cela enclenchera le système de verrouillage de sécurité et permettra au moteur de fonctionner.



Fonctions

FONCTIONNEMENT

- Le robot culinaire ne fonctionnera pas si le bol, le couvercle et le gros poussoir ne sont pas assemblés correctement. Cela enclenche le système de verrouillage de sécurité et permet au moteur de fonctionner.
- La touche MARCHÉ s'allume en rouge lorsque l'appareil est branché et prêt à fonctionner.
- La touche DÉMARRER permet au moteur de fonctionner continuellement jusqu'à ce qu'elle soit enfoncée de nouveau. Si le couvercle, le bol ou le gros poussoir sont retirés pendant que le moteur fonctionne, la touche clignotera. Lorsque le couvercle, le bol ou le gros poussoir seront réassemblés et que le système de verrouillage de sécurité sera réactivé, le voyant cessera de clignoter et restera allumé.

- La touche momentanée IMPULSION est idéale pour traiter les aliments qui nécessitent de brefs jets de puissance. Elle favorise aussi une bonne circulation des aliments dans le bol. La fonction IMPULSION convient parfaitement aux aliments qui requièrent un traitement de courte durée.
- Pour un meilleur contrôle de transformation des aliments, utilisez en alternance les touches DÉMARRER et IMPULSION.
- Le niveau maximal indiqué (MAX CHUTE FILL) représente le volume maximal d'aliments pouvant être insérés dans le tube pour que le poussoir active le loquet de verrouillage de sécurité.
- Une fois le traitement terminé, attendez que les lames ou disques soient immobilisés avant de déverrouiller le couvercle. Pour plus de sécurité, éteignez l'appareil en appuyant sur la touche MARCHÉ et débranchez-le avant de manipuler les lames.
- Pour retirer les lames ou disques, soulevez-les soigneusement en maintenant le moyeu central en plastique.

SYSTÈME DE PROTECTION CONTRE LA SURCHARGE

- Le robot culinaire est muni d'un système de protection contre la surcharge qui empêche d'endommager le moteur. Si le système est activé, l'appareil passera en mode veille et les touches clignoteront.
- Débranchez alors l'appareil et laissez-le refroidir environ 30 minutes. Une fois refroidi, il sera prêt à être réutilisé normalement.
- Il est à noter que certains mélanges plus coriaces (comme la pâte à pain) peuvent ralentir la rotation normale de la lame. Dans un tel cas, ne traitez pas les ingrédients plus d'une minute.
- Si les lames ou disques se bloquent durant le traitement, débranchez immédiatement l'appareil et dégagez les aliments coincés. Si cela se produit plus d'une fois, il se peut que la quantité d'aliments soit excédentaire. Essayez de traiter de plus petites portions à la fois.

HACHER AVEC LA LAME MICRO-DENTELÉE S-BLADE^{MC}

La lame en S hache les aliments crus ou cuits à la consistance requise, de fine à grossière. Les lames sont très efficaces pour traiter de lourdes charges en un temps réduit.

Souvenez-vous de toujours placer la tige de rotation et la lame en S dans le bol avant d'y ajouter les aliments.

Évitez les traitements excessifs et vérifiez fréquemment la consistance du mélange. Dans la plupart des cas, nous recommandons d'utiliser la fonction IMPULSION qui ne prend que quelques secondes pour transformer les aliments en une consistance désirée.

Si nécessaire, éteignez l'appareil (touche MARCHE) et utilisez une spatule pour racler les parois du bol et assurer une transformation homogène.

Après avoir réduit les aliments en purée, retirez délicatement la lame en S et utilisez une spatule pour nettoyer les parois du bol et les lames.

Légumes crus, fruits et viande cuite

Parez et coupez les aliments en cubes de 2,5 cm (1 po). N'en transformez pas plus de 6 tasses à la fois, en utilisant la touche IMPULSION à intervalles de 1-2 secondes jusqu'à consistance désirée.

Viande crue, poulet et poisson

Retirez l'excès de gras et coupez les aliments en cubes de 2,5 cm (1 po). Assurez-vous que tous les os sont enlevés. Mettez les aliments au congélateur jusqu'à ce qu'ils soient fermes, ils seront plus faciles à couper. Ne traitez pas plus de 1 kg (2¼ lb) de viande crue à la fois. Avec une telle quantité, le moteur ne doit pas fonctionner plus de 30 secondes à la fois. Utilisez en alternance les touches DÉMARRER et IMPULSION jusqu'à consistance désirée.

Ail, piment ou gingembre

Pelez les gousses d'ail et gardez-les entières. Laissez les piments entiers ou égrenez-les si vous désirez un goût moins piquant. Pelez et coupez le gingembre en cubes de 2,5 cm (1 po).

Pour d'autres plantes herbacées solides comme la citronnelle ou le galanga, pelez-les et coupez-les en morceaux de 2-3 cm (½-1 po). Les plantes herbacées plus denses ou coriaces doivent être coupées en plus petits morceaux.

Transformez en utilisant le réglage IMPULSION à 1-2 secondes d'intervalles jusqu'à consistance désirée.

Arrosez les herbes de quelques gouttes d'huile végétale et mettez-les dans un contenant hermétique. Elles se garderont jusqu'à 1 semaine au réfrigérateur.

Si vous ajoutez de l'ail, des piments ou du gingembre aux autres ingrédients, insérez-les entiers dans le petit tube pendant que le moteur tourne.

Herbes à feuilles

Lavez et séchez correctement les herbes. Retirez les tiges coriaces. Ne hachez pas plus de 2 bouquets (environ 4 tasses) à la fois, en utilisant la touche IMPULSION à intervalles de 1-2 secondes jusqu'à consistance désirée.

Pour rehausser vos recettes du parfum des herbes, utilisez-les sans délai.

Noix

Ne transformez pas plus de 4½ tasses de noix écalées à la fois, en utilisant la touche IMPULSION à intervalles de 1-2 secondes jusqu'à consistance désirée.

Fruits séchés

Les fruits séchés sont souvent collants et peuvent adhérer aux lames. Nous recommandons de les mettre au congélateur environ 10 minutes avant de les transformer. Ne transformez pas plus de 2 tasses à la fois, en utilisant la touche IMPULSION à intervalles de 1-2 secondes jusqu'à consistance désirée.

Si vous hachez des fruits pour les incorporer à un mélange à gâteau, transformez-les avant de les incorporer au gâteau. Enrobez-les de farine (à même la quantité de farine indiquée dans la recette), cela les empêchera de coller à la lame en S.

Nous ne recommandons pas de traiter de gros fruits séchés comme les dattes ou les figues.

Chapelure molle

Brisez des morceaux de pain rassis (le pain frais collera aux lames). Ne transformez pas plus de 4-6 tranches à la fois, en utilisant la touche IMPULSION à intervalles de 1-2 secondes jusqu'à consistance désirée. Pour de meilleurs résultats, ajoutez une tranche à la fois.

Chapelure sèche

Brisez le pain en morceaux et faites-le griller au four jusqu'à ce qu'ils soit doré et croustillant (ne pas trop les griller). Ne transformez pas plus de 4-6 tranches à la fois en utilisant la touche IMPULSION à intervalles de 1-2 secondes jusqu'à consistance désirée.

Chapelure de biscuits

Brisez en quartiers un maximum de 250 g (8 oz) de biscuits. Transformez en utilisant la touche IMPULSION à intervalles de 1-2 secondes jusqu'à consistance désirée. La chapelure de biscuits peut être utilisée comme alternative en pâtisserie, pour préparer des tartes sucrées ou salées. Ne traitez pas de biscuits trop durs, car ils pourraient abîmer les lames.

RÉDUIRE EN PURÉE AVEC LA LAME MICRODENTELÉE S-BLADE^{MC}

La lame en S réduit en purée les aliments crus ou cuits pour obtenir la consistance désirée, incluant les aliments pour bébés. La lame est très efficace pour réduire en purée plusieurs mélanges en un temps réduit.

Souvenez-vous de placer la lame en S dans le bol de transformation avant d'ajouter les aliments.

Après avoir réduit les aliments en purée, retirez délicatement la lame en S et utilisez une spatule pour racler les parois du bol si des aliments adhèrent à la lame et au bol.

Aliments pour bébé

Parez et coupez les légumes et la viande en cubes de 2,5 cm (1 po). Cuire les aliments avant de les transformer. Ne transformez pas plus de 6 tasses à la fois, en utilisant la touche DÉMARRER par intervalles jusqu'à consistance lisse et homogène. Si le mélange est trop épais, ajoutez un peu de bouillon, de lait ou de jus de cuisson par le petit tube d'alimentation.

Congelez, si désiré, les aliments pour bébé dans un moule à glaçons et transférez-les par portions dans un sac à congélation.

Beurre d'arachides

Ne transformez pas plus de 4½ tasses d'arachides écalées à la fois, en utilisant la touche DÉMARRER jusqu'à consistance désirée.

Les arachides réduisent de volume après avoir été transformées. Par exemple, 2 tasses d'arachides donneront environ 1 tasse de beurre d'arachides.

Le beurre d'arachides (sans stabilisant) se sépare, une fois traité. Il faut le remuer avant de le consommer.

MÉLANGER AVEC LA LAME MICRODENTELÉE S-BLADE^{MC}

La lame en S mélange les ingrédients pour préparer les gâteaux et les pâtes à crêpe et à biscuits.

La lame en S peut aussi émulsionner des sauces à base d'œufs comme la mayonnaise.

Souvenez-vous de toujours mettre la tige de rotation et la lame en S dans le bol de transformation avant d'ajouter les aliments.

Après avoir réduit les aliments en purée, retirez délicatement la lame en S et utilisez une spatule pour racler les aliments adhérant à la lame et au bol.

Gâteau au beurre et pâte à biscuits

Placez le beurre coupé en cubes et ramolli et le sucre dans le bol de transformation. Mélangez en utilisant la touche DÉMARRER jusqu'à consistance légèrement crémeuse. Pendant que le moteur tourne, ajouter les œufs, un à la fois, en mélangeant bien après chaque addition. Enlevez le couvercle et ajoutez le liquide et les ingrédients secs. Transformez en utilisant la touche IMPULSION jusqu'à consistance homogène. Raclez les parois du bol, si nécessaire. Ne pas trop mélanger.

Ajoutez les brisures de chocolat, noix, fruits séchés, etc. une fois le mélange terminé. Utilisez la touche IMPULSION par petits jets jusqu'à ce que tous les ingrédients soient combinés. Ne pas trop mélanger, car les plus gros ingrédients se déferont rapidement.

Mélanges à gâteaux et pâte à crêpe

Placez tous les ingrédients dans un bol, en commençant par les liquides, en prenant soin de ne pas excéder le niveau de liquide MAX. Transformez en utilisant la touche IMPULSION jusqu'à consistance homogène. Raclez les parois du bol, si nécessaire. Ne pas trop mélanger.

Cette méthode peut être utilisée pour les gâteaux melt 'n' mix, les mélanges à gâteau en sachet ou les pâtes à crêpe.

Pâte à tarte

Déposez la farine et les cubes de beurre refroidi dans le bol du robot.

Ne traitez pas plus de 2 tasses (300 g) de farine en utilisant la touche DÉMARRER par intermittence jusqu'à ce que le beurre soit incorporé à la farine.

Pendant que le moteur tourne, versez le liquide en continu par le petit tube d'alimentation. Transformez jusqu'à la formation d'une boule.

PÉTRIR AVEC LA LAME À PÂTE

Souvenez-vous de toujours installer la tige de rotation et la lame à pâte dans le bol du robot avant d'ajouter les aliments.

Les bords de la lame à pâte en plastique combinent avec douceur les ingrédients de la pâte. Cette lame étire les brins de gluten au lieu de les couper, et devrait être utilisée pour toutes les pâtes à levure ou tout autre pâte qui requiert un pétrissage.

Pâte à pain ou à pizza

Placez la farine et les ingrédients secs dans le bol de transformation avec la levure sèche instantanée.

Ne transformez plus de 5 tasses (700 g) à la fois, en utilisant la touche DÉMARRER par intervalles.

Pendant que le moteur tourne, versez le liquide en continu (incluant l'huile, selon le cas) par le petit tube d'alimentation. Transformez jusqu'à la formation d'une boule de pâte élastique. Cela prend normalement 45-60 secondes. Veuillez ne pas trop mélanger.

Transférez la pâte sur une surface légèrement farinée et pétrissez encore 5 minutes, si nécessaire, jusqu'à ce qu'elle soit souple et malléable.

Si vous préparez plus de deux recettes de pâte (maximum 700 g de farine), laissez le moteur refroidir assez longtemps avant le prochain pétrissage pour empêcher le moteur de surcharger.

Placez la pâte dans un grand bol graissé, couvrez et gardez dans un endroit chaud jusqu'à ce qu'elle ait doublé de volume. Transférez la pâte sur une surface légèrement farinée et pétrissez encore jusqu'à consistance souple et élastique. Façonnez la pâte et laissez-la lever dans un endroit chaud avant de la cuire au four.

TRANCHER, RÂPER ET DÉCHIQUETER

Important: La tige de rotation doit être utilisée tant pour le disque éminceur réglable que pour le disque déchiqueteur/râpe réversible.

Après avoir réduit les aliments en purée, retirez délicatement la lame en S et utilisez une spatule pour nettoyer les parois du bol et les lames.

Disque éminceur réglable

Le disque éminceur réglable tranche d'une épaisseur égale et uniforme. Il s'ajuste à 24 réglages, de très mince (0,3 mm) à épais (8,0 mm). Pour ajuster l'épaisseur des tranches, tenez le rebord du disque d'une main et tournez le cadran d'ajustement sur l'autre côté avec l'autre main. Une flèche indique l'épaisseur de tranche désirée.

Disque déchiqueteur/râpe réversible

Ce disque est muni de petites lames de chaque côté. Pour une texture plus grossière, orientez le côté du disque avec les gros trous vers le haut, et pour une texture plus fine, orientez le côté avec plus petits trous vers le haut. Les disques sont identifiés pour montrer le côté orienté vers le haut.

BIEN PLACER DES INGRÉDIENTS

Il est important de bien positionner les aliments dans le tube d'alimentation afin de maximiser le contrôle et les résultats.

Ingrédients plus minces

Pour les aliments longs et minces comme les carottes, les concombres, les zucchini, etc., utilisez le petit tube d'alimentation. Cela les empêchera de culbuter durant le tranchage.

Ingrédients plus gros

Le plus gros tube d'alimentation a une largeur de 13 cm (5 po) et peut recevoir des aliments de même largeur ou moins. Les aliments peuvent être entassés dans le tube, sur toute la largeur, pour rester à la verticale sans toutefois être trop serrés pour ne pouvoir descendre dans le tube.

Moyen tube d'alimentation

Utilisez le moyen tube pour traiter les aliments de mi-format. Sa largeur de 7 cm (2¾ po) peut recevoir des aliments de cette largeur ou moins. Les aliments peuvent être entassés dans le tube, sur toute la largeur, pour rester à la verticale sans toutefois être trop serrés pour ne pouvoir descendre dans le tube.

Ne surchargez pas le tube d'alimentation, car le poussoir ne pourra activer le loquet du système de verrouillage. N'excédez pas le niveau maximal indiqué (MAX CHUTE FILL).

Assurez-vous que le gros poussoir est en place avant d'utiliser le moyen poussoir.

Pression

Durant la transformation, n'appliquez pas trop de pression sur les aliments, car cela pourrait endommager les disques.

Appliquez une légère pression sur les aliments plus tendres comme les tomates ou les bananes.

Appliquez une pression moyenne sur les aliments plus fermes comme les pommes de terre ou les pommes.

Appliquez une pression plus ferme sur les aliments durs comme le fromage parmesan ou les viandes de charcuterie comme le salami.

Fruits et légumes ronds

Lavez et pelez (si nécessaire) les fruits et légumes avant de les transformer.

Pour les fruits et légumes plus petits, coupez une tranche sur le dessous pour qu'ils reposent à plat dans le tube.

Pour les fruits et légumes plus gros, coupez-les en deux pour qu'ils conviennent au tube. Empilez-les dans le tube de gauche à droite.

Fruits et légumes allongés

Lavez et pelez les légumes avant de les transformer, si nécessaire.

Coupez-les transversalement pour obtenir des rondelles. Utilisez le petit ou le moyen tube d'alimentation, ou entassez-les à la verticale dans le grand tube.

Coupez-les sur la longueur pour obtenir des rubans. Utilisez le grand tube d'alimentation et coupez une tranche sur le dessous pour qu'ils reposent à plat dans le tube lorsque le disque commence à tourner. Empilez-les à l'horizontale dans le grand tube.

Légumes-feuilles

Coupez le chou en quartiers pour bien l'insérer dans le tube d'alimentation. Pour la laitue, séparez les feuilles, enrroulez-les et entassez-les à la verticale dans le tube.

Fromage

Soyez prudent lorsque vous transformez les fromages dans le robot culinaire. Les fromages à pâte molle comme la mozzarella doivent être mi-congelés pour rafermir, sans quoi ils obstrueront les disques.

Pour les fromages ronds, comme la mozzarella, coupez une tranche sur le dessous pour qu'ils reposent à plat dans le tube lorsque le disque commence à tourner.

Pour les fromages fermes, comme le parmesan, vérifiez au préalable leur dureté (pour ne pas endommager les lames). Enlevez la croûte ferme avant les transformer. Le fromage devrait se couper facilement au couteau.

Les fromages de forme triangulaire peuvent être placés côte à côte pour former un rectangle dans le tube.

Viandes de charcuterie

Coupez la viande en longueurs pour convenir à la hauteur du tube. Les longueurs ne doivent pas excéder le niveau maximal indiqué (MAX CHUTE FILL). Entassez-les avec le côté coupé vers le bas. Pour les saucissons plus coriaces, comme le salami ou le pepperoni, coupez une rondelle sur le dessous et traitez-les un à la fois en utilisant le petit ou le moyen tube, selon la grosseur.

Chocolat râpé

Brisez un bloc de chocolat en petits morceaux que vous ferez refroidir pour les raffermir. Empilez-les dans le petit tube d'alimentation, puis râpez-les en utilisant le côté fin ou grossier du disque déchiqueteur réversible (ne pas utiliser la lame en S ou le disque éminceur réglable).



Guide de traitement des aliments

Pour plus d'informations sur la préparation et la transformation des aliments, consultez les techniques de transformation de base. Pour des recettes spécifiques, voir la section Recettes.

ALIMENTS	TYPE DE LAME	RÉGLAGE DU DISQUE ÉMINCEUR	TYPE DE DISQUE RECOMMANDÉ
Aubergine	Lame en S Usage: soupes, accompagnement	2-5 Usage: aubergine grillée	
Avocat	Lame en S Usage: guacamole		
Betteraves (cuites)		2-5	Déchiquteur Usage: salade
Carottes	Lame en S Usage: soupe de légumes	0-5	Déchiquteur Usage: salade
Céleri	Lame en S Usage: soupe de légumes	Mince 1-2, moyen 2-3 Usage: salade	
Chou/Laitue		Mince 1-2, moyen 2-3 Usage: accompagnement	Déchiquteur Usage: salade
Chou-fleur (cuit)	Lame en S Usage: Soupe de chou-fleur		
Courge musquée	Lame en S Usage: soupe de courge musquée		
Fines herbes	Lame en S Usage: assaisonnement ou pesto		
Oignon	Lame en S Usage: soupes, sauces	0-5 Usage: salade	
Poireau	Lame en S Usage: cuits pour la soupe	2--5 Usage: soupe aux légumes	
Pommes de terre		0,3 - 6 Usage: gratin de pommes de terre	Déchiquteur Usage: pommes de terre rissolées
Pommes de terre (cuite)	Lame en S Usage: purée		

ALIMENTS	TYPE DE LAME	RÉGLAGE DU DISQUE ÉMINCEUR	TYPE DE DISQUE RECOMMANDÉ
Tomates	Lame en S Usage: salsa	2--5 Usage: sandwich, relish, salade caprese	
Chapeleure	Lame en S Usage: panure, farce		
Chocolat	Lame en S Usage: ganache au chocolat		Déchiquteur - fin ou grossier Usage: garniture à desserts
Œufs (entiers ou jaunes)	Lame en S Usage: mayonnaise		
Fromage		2--5 Usage: garniture, sandwichs	Déchiquteur - fin ou grossier Usage: râpé pour pizza
Fruits séchés	Lame en S Usage: Salades de fruits, sauce à dessert		
Pâte à crêpe	Lame en S Usage: Gâteaux, crêpes, gaufres		
Pâte à tarte	Lame en S Usage: quiches, tartes		
Pâte (Pain, pizza)	Lame à pâte Usage: pain, pizza		
Pommes / Poires	Lame en S Usage: compote de pommes	2--5 Usage: tarte aux pommes	
Pommes / Poires (cuites)	Lame en S Usage: aliments pour bébé	4--6 Usage: salade de fruits	
Viande (charcuterie)	Lame en S	1--6 Usage: sandwichs, entrées, garniture à pizza	
Viande (crue)	Lame en S Usage: pain de viande, burgers, boulettes		
Viande (cuite)	Lame en S Usage: garniture à sandwich, pâte, aliments pour bébé		



Entretien & nettoyage

Par mesure de sécurité, débranchez l'appareil après chaque usage.

Bol de transformation et couvercle

En raison des composants de verrouillage, nous ne recommandons pas de plonger le bol dans l'eau pour une période prolongée.

Afin de garder le bol et le couvercle propres et éviter l'accumulation de résidus alimentaires, veuillez respecter les étapes suivantes, immédiatement après chaque usage:

- Rincez le bol et le couvercle pour enlever les résidus d'ingrédients.
- Lavez-les à la main à l'eau chaude savonneuse avec un détergent doux et une éponge non abrasive.

Lames et disques

Les lames et les disques sont tranchants, ne les touchez pas. Utilisez toujours une spatule ou une brosse pour les nettoyer ou dégager les aliments.

Socle motorisé

Pour nettoyer le socle motorisé, essuyez-le avec un chiffon doux et humide et séchez-le correctement. Essuyez le cordon d'alimentation pour enlever toutes particules d'aliments.

Agents de nettoyage

N'utilisez pas de tampons à récurer ou nettoyants abrasifs sur le socle motorisé ou le bol, car ils pourraient en égratigner la surface. Utilisez uniquement de l'eau chaude et un chiffon doux.

Lave-vaisselle

Le bol et le couvercle peuvent être occasionnellement passés au lave-vaisselle (étagère du dessus uniquement), cependant le lave-vaisselle n'est pas recommandé pour une utilisation régulière. Une exposition prolongée aux détergents, à l'eau chaude et à la pression peuvent endommager et raccourcir la durée de vie du plastique et des composants.

Odeurs et taches tenaces

Les aliments comme l'ail, le poisson et certains légumes comme les carottes peuvent laisser une odeur désagréable ou tacher le bol ou le couvercle.

Pour vous en débarrasser, verser de l'eau chaude dans le bol jusqu'à la marque MAX LIQUID. Réservez et laissez tremper 5 minutes sans immerger le bol au complet. Puis lavez à l'eau chaude avec un détergent doux, rincez et séchez soigneusement. Rangez le bol avec le couvercle en place.

Rangement

Pour le rangement, placez le gros, le moyen et le petit poussoir insérés l'un dans l'autre dans le tube d'alimentation.

Rangez le robot culinaire à la verticale avec le bol et le couvercle en place mais non verrouillés, car autrement ils exerceraient une pression indue sur le système de verrouillage de sécurité.

Tous les accessoires doivent être rangés dans un endroit sécuritaire et loin de la portée des enfants, pour éviter qu'ils se coupent accidentellement. Il est déconseillé de ranger les disques dans le tiroir à ustensiles.

Nous vous recommandons de ranger la lame en S dans le bol, avec le disque à déchiqueter sur le dessus. Cette lame et ce disque sont extrêmement tranchants et seront protégés dans le bol.

Ne mettez aucun objet sur le dessus du robot culinaire lorsqu'il est rangé.



Guide de dépannage

PROBLÈME	SOLUTION FACILE
Les aliments ne sont pas transformés uniformément	<ul style="list-style-type: none">• Coupez les ingrédients en morceaux égaux de 2,5 cm (1 po) avant de les transformer.• Transformez les ingrédients par portions pour éviter la surcharge.
Les tranches sont coupées en biseau ou inégales	<ul style="list-style-type: none">• Coupez les aliments uniformément avant de les mettre dans le tube.• Appliquez une pression uniforme sur le poussoir.
Les aliments débordent du tube d'alimentation	<ul style="list-style-type: none">• Entassez bien les aliments dans le gros entonnoir, pour obtenir de meilleurs résultats. Si vous transformez de petites quantités, placez les aliments à l'extrême gauche du tube d'alimentation ou utilisez le petit ou le moyen tube, selon les besoins.
Certains aliments restent sur le disque après la transformation	<ul style="list-style-type: none">• Il est normal que des résidus d'aliments restent sur le disque après la transformation.
Le moteur ralentit lors du pétrissage de la pâte	<ul style="list-style-type: none">• Il se peut que la quantité de pâte excède la capacité maximale. Retirez-en la moitié et traitez-la en deux portions.• La pâte est peut-être trop humide (voir ci-dessous). Si le moteur accélère, poursuivez le traitement. Sinon, ajoutez un peu de farine, 1 c. à soupe à la fois, jusqu'à ce que le moteur réaccélère. Poursuivez jusqu'à ce que la pâte nettoie les parois du bol.
La pâte ne nettoie pas les parois du bol	<ul style="list-style-type: none">• La quantité de pâte pourrait excéder la capacité maximale du robot culinaire. Retirez-en la moitié et traitez-la en deux portions.• La pâte est peut-être trop sèche (voir ci-dessous).
La pâte est dure après le pétrissage	<ul style="list-style-type: none">• Divisez la pâte en 2 ou 3 portions que vous distribuerez également dans le bol du robot. Pétrissez environ 10 secondes ou jusqu'à ce qu'elle soit lisse et souple.
La pâte est trop sèche	<ul style="list-style-type: none">• Pendant que le moteur tourne, ajoutez un peu d'eau par le petit tube, 1 c. à soupe à la fois, jusqu'à ce que la pâte nettoie les parois du bol.
La pâte est trop humide	<ul style="list-style-type: none">• Pendant que le moteur tourne, ajoutez un peu de farine par le petit tube, 1 c. à soupe à la fois, jusqu'à ce que la pâte nettoie les parois du bol.
La pâte est collante et adhère à la lame, la machine vibre	<ul style="list-style-type: none">• Réduisez le temps de mélange. Arrêtez la machine dès que la boule de pâte est formée. Cela prend environ 45-60 secondes.

PROBLÈME

SOLUTION FACILE

Le moteur ne démarre pas

- Un interrupteur de verrouillage de sécurité empêche le moteur de démarrer si l'appareil n'est pas correctement assemblé. Assurez-vous que le bol et le couvercle sont bien verrouillés en place.
- Si vous désirez trancher ou déchiqueter des aliments et que la solution ci-dessus ne fonctionne pas, vérifiez si les aliments à l'intérieur du tube n'excèdent pas la marque maximale de remplissage, ce qui empêcherait le loquet sécurité de s'activer et faire démarrer le moteur.
- Assurez-vous que le gros poussoir est suffisamment inséré dans le tube pour activer l'interrupteur de verrouillage de sécurité.
- Si le moteur ne démarre toujours pas, vérifiez le cordon d'alimentation et la prise murale.

Le robot culinaire s'arrête en cours de fonctionnement

- Le couvercle peut s'être déverrouillé; assurez-vous qu'il est bien sécurisé en place.
- Si le moteur surcharge, tous les boutons clignoteront en même temps. Débranchez l'appareil et laissez-le refroidir 20-30 minutes avant de reprendre l'opération.

Le moteur ralentit en cours de fonctionnement

- Cela est normal, car certaines tâches plus exigeantes (ex. trancher/déchiqueter du fromage) peuvent nécessiter un effort supplémentaire du moteur. Remplacez les aliments dans le tube et poursuivez le traitement.
- Vous pouvez avoir excédé la capacité maximale. Retirez certains des ingrédients et poursuivez l'opération.

Le robot vibre/bouge durant la transformation

- Assurez-vous que les pieds en caoutchouc de l'appareil sont propres et secs. Vérifiez également que la capacité maximale n'a pas été excédée.
 - Cela est normal, car certaines tâches plus exigeantes (ex. trancher/déchiqueter du fromage) peuvent nécessiter un effort supplémentaire du moteur.
-

the Sous Chef[®] 12

El manual de instrucciones en comento (el "Manual") es aplicable a los modelos siguientes:

BFP660SIL y BFP660SILUSC



ES-MX MANUAL DE INSTRUCCIONES

Breville[®]



Contenido

- 2 Breville recomienda anteponer la seguridad
- 9 Componentes
- 11 Montaje
- 12 Funciones
- 19 Guía de procesamiento de alimentos
- 21 Cuidado y limpieza
- 22 Solucionar problemas

BREVILLE RECOMIENDA ANTEPONER LA SEGURIDAD

En Breville somos muy conscientes de lo importante que es la seguridad. La seguridad es nuestra prioridad a la hora de diseñar y fabricar productos para clientes como usted. En pos de su seguridad, le pedimos que ejerza suma precaución al usar cualquier aparato eléctrico y que cumpla con las siguientes precauciones.

CONSIDERACIONES IMPORTANTES

ANTES DE USAR ESTE EQUIPO, LEA TODAS LAS INSTRUCCIONES Y GUÁRDELAS PARA FUTURAS CONSULTAS

- Lea todas las instrucciones antes de utilizar este equipo por primera vez, y guárdelas por si necesita consultarlas más adelante.
- Las cuchillas y los discos de corte son afilados. Manipúlelas con cuidado.
- Retire y deseche de forma segura cualquier material de empaque o etiquetas promocionales antes de usar el equipo por primera vez.
- Para eliminar el peligro de asfixia en niños pequeños, retire y deseche de forma segura la cubierta protectora instalada en el enchufe de este equipo.

- Para protegerse contra descargas eléctricas, no sumerja ni el cable de alimentación, ni el enchufe ni el equipo en agua u otros líquidos.
- No deje el equipo cerca del borde de una mesa o mostrador durante su funcionamiento. Asegúrese de que la superficie esté nivelada, limpia y libre de agua. La vibración durante el funcionamiento puede hacer que el equipo se mueva durante el uso.
- No deje el equipo cerca o sobre un quemador eléctrico o de gas caliente, ni donde pueda tocar otra fuente de calor.
- No use el equipo sobre una placa para drenar el fregadero.
- Siempre asegúrese de que el procesador de alimentos esté completamente ensamblado antes de utilizarlo. El equipo no funcionará a menos que esté ensamblado correctamente.
- Asegure de haber presionado el botón POWER | OFF (Encendido | Apagado) y de haber desenchufado el cable de alimentación del tomacorriente antes de conectar cualquier cuchilla, disco o tapa.
- Manipule el procesador de alimentos y los accesorios con cuidado. Las cuchillas y discos son filosos y deben mantenerse fuera del alcance de los niños.
- Para reducir el riesgo de lesiones, siempre asegure el bol de procesamiento en la base del motor antes de insertar las cuchillas o los discos.
- No permita que el cable de alimentación cuelgue del borde de una mesa o mostrador, toque superficies calientes o se enrede. Desenrolle el cable de alimentación por completo antes de usar el equipo.

- Mantenga tanto las manos como las espátulas y otros utensilios alejados de las cuchillas o discos en movimiento mientras procesa alimentos. Esto permitirá evitar la posibilidad de sufrir lesiones personales graves o causar daños al procesador de alimentos. Es posible usar una espátula de plástico, pero solo cuando el procesador de alimentos está detenido. Asegure de haber presionado el botón POWER | OFF (Encendido | Apagado) para apagar el motor y de haber desenchufado el cable de alimentación del tomacorriente antes de retirar la tapa del bol de procesamiento.
- Evite el contacto con partes móviles. Nunca empuje los alimentos con la mano al rebanarlos o rallarlos. Siempre use el empujador.
- Asegúrese de que el motor se haya detenido por completo antes de quitar la cubierta.
- Asegúrese de que la cubierta y el tubo de alimentación estén bien asegurados en su lugar antes de utilizar el procesador de alimentos.
- Nunca intente anular o alterar el mecanismo de bloqueo de la cubierta.
- Siempre retire el enchufe del tomacorriente cuando el equipo no esté en uso, y antes de intentar moverlo, limpiarlo, desarmarlo, ensamblarlo o guardarlo.
- Algunas sustancias rígidas, como la masa, pueden hacer que la cuchilla de procesamiento gire más lentamente de lo normal. Si esto sucede, no procese por más de 1 minuto.
- No procese líquidos calientes ni hirviendo; permita que se enfríen antes de colocarlos en el recipiente de procesamiento.

- No mueva el equipo mientras está en funcionamiento.
- No ponga ninguna parte del procesador de alimentos en un horno microondas.
- No llene el bol de procesamiento por encima de la línea que incide el máximo para cada tipo de ingredientes. El incumplimiento de estas instrucciones puede causar un mal funcionamiento del producto o lesiones derivadas del daño en la cubierta o el bol.
- Siempre agregue los ingredientes más secos o más gruesos al bol de procesamiento antes de agregar líquidos.
- Nunca retire la tapa mientras el equipo está funcionando. Use siempre los botones POWER | OFF (Encendido | Apagado) o PAUSE (Pausa) para detener la máquina antes de retirar la tapa.
- Tenga cuidado al retirar los alimentos del bol de procesamiento. Para ello, asegúrese de que el motor y la cuchilla/disco se hayan detenido por completo antes de quitarlos. Asegure de haber presionado el botón POWER | OFF (Encendido | Apagado) para apagar el motor y de haber desenchufado el cable de alimentación del tomacorriente antes de retirar la tapa del bol de procesamiento. No intente retirar los alimentos procesados sin antes liberar el bol de procesamiento del cuerpo del motor y retirar la cuchilla/disco con cuidado.
- No utilice abrasivos fuertes, limpiadores cáusticos o limpiadores para hornos cuando limpie el equipo.

CONSIDERACIONES PARA SU PROCESADOR DE ALIMENTOS

- El equipo es para uso exclusivo en el hogar. No use este equipo para otro fin distinto al que se describe en este manual. No use el equipo al aire libre. No use el equipo en vehículos o embarcaciones en movimiento.
- El uso de accesorios no comercializados o recomendados por Breville puede provocar incendios, descargas eléctricas o lesiones.
- No deje el equipo sin supervisión mientras está en uso.
- Asegúrese de que el motor y la cuchilla/ disco se hayan detenido por completo antes de desmontar el equipo. Asegure de haber presionado el botón POWER | OFF (Encendido | Apagado) para apagar el motor y de haber desenchufado el cable de alimentación del tomacorriente cuando no use el equipo, no pueda supervisar su uso o proceda a armarlo, limpiarlo o guardarlo.
- Este equipo no está diseñado para que lo usen niños o personas con capacidades físicas, sensoriales o mentales reducidas, o con falta de experiencia y conocimiento.
- Supervise atentamente el uso de cualquier equipo si hay niños cerca.
- Se debe supervisar a los niños para asegurarse de que no jueguen con el equipo.
- Apague el equipo y desconéctelo del tomacorriente cuando no esté en uso, antes de armar o desarmar las piezas, o antes de limpiarlo.

- Para desenchufar el equipo, tome el enchufe y desconéctelo del tomacorriente. Nunca tire del cable de alimentación.
- Inspeccione regularmente el cable de alimentación, el enchufe y el equipo en busca de daños. No use ningún equipo que presente daños en el cable de alimentación o el enchufe, que haya dejado de funcionar correctamente o que se haya dañado de alguna manera. En ese caso, suspenda inmediatamente el uso del equipo y contacte al Centro de servicios de Breville.
- Para cualquier otro mantenimiento que no sea la limpieza, llame al Centro de servicios de Breville.
- Este aparato tiene un enchufe polarizado (una clavija es más ancha que la otra). Para reducir el riesgo de descarga eléctrica, este enchufe

encajará solamente en un tomacorriente polarizado. Si el enchufe no encaja completamente en la tomacorriente, invierta el enchufe.

Si aún no encaja, comuníquese con un electricista calificado. No modifique el enchufe de ninguna manera.

ENCHUFE BREVILLE ASSIST®

- Su equipo Breville incluye el conveniente enchufe Assist®, cuyo diseño con un orificio para el dedo permite desconectar el equipo del tomacorriente de manera sencilla. Por razones de seguridad, se recomienda que conecte su equipo Breville directamente a su propio tomacorriente en un circuito propio, separado de otros electrodomésticos. Es posible que su equipo no funcione correctamente si el

circuito eléctrico está sobrecargado con otros electrodomésticos. No se recomienda su uso junto con una barra multicontacto o un cable de extensión.

INSTRUCCIONES DE CABLE DE ALIMENTACIÓN CORTO

- Su equipo Breville está equipado con un cable de alimentación corto para prevenir el riesgo de lesiones personales o daños a la propiedad que pudieran suceder si alguien lo tira o se tropieza con él, o si se enreda con otro cable más largo. No permita que los niños usen o estén cerca de este aparato sin la supervisión cercana de un adulto. Aunque no se recomienda el uso

de cables de alimentación más largos o cables de extensión, es posible usarlos si se hace con precaución.

Si se usa un cable de extensión, (1) la clasificación eléctrica marcada del juego de cables o de la extensión debe al menos igualar la clasificación eléctrica del equipo y (2) el cable debe disponerse de tal forma que no caiga sobre una superficie donde un niño pudiera tirar de él o tropezar sin querer.



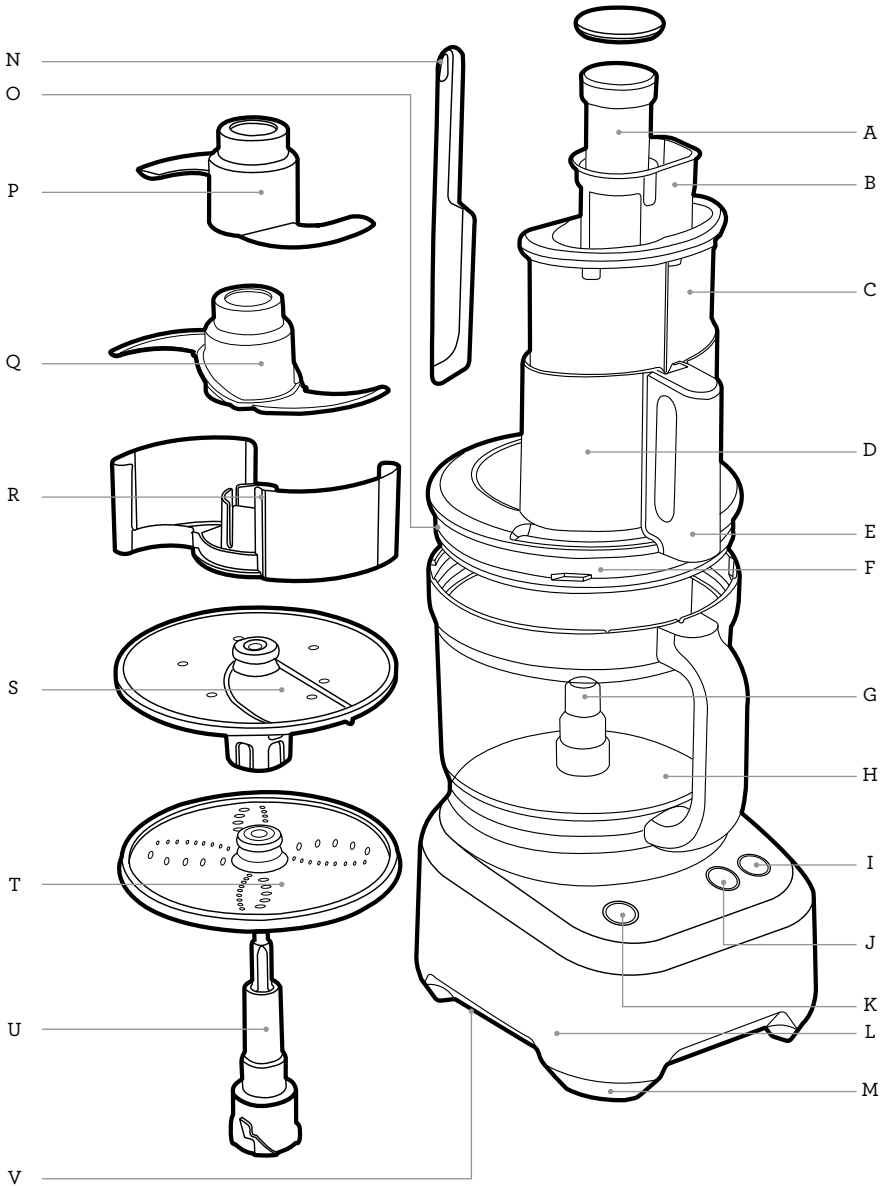
ADVERTENCIA

- Las cuchillas y los discos son muy afilados, no los toque. Utilice siempre una espátula o un cepillo para retirar los alimentos o para limpiar las cuchillas.

**PARA USO EXCLUSIVO EN EL HOGAR.
GUARDE ESTAS INSTRUCCIONES**



Componentes



Datos técnicos

120 V ~ 60 Hz 700 W (para Mexico)

- A. Empujador de alimentos pequeños**
Para controlar mejor el procesamiento de ingredientes más pequeños. También funciona como un vaso para medir los ingredientes. El procesador de alimentos funcionará continuamente cuando el empujador pequeño esté fuera.
- B. Empujador de alimentos mediano**
El procesador de alimentos funcionará continuamente sin importar si el empujador de alimentos mediano está adentro o no.
- C. Empujador de alimentos grande**
El procesador de alimentos no funcionará a menos que el empujador grande esté puesto correctamente en su lugar, ya que libera el sistema de enclavamiento de seguridad.
- D. Tubo para alimentos extra ancho**
De 13 cm de ancho, apto para alimentos grandes.
- E. Sistema de enclavamiento de seguridad**
Evita que el motor funcione a menos que el bol y la tapa estén correctamente bloqueados en su posición y se haya insertado el empujador de alimentos grande.
- F. Tapa de procesamiento**
Se monta en el bol de procesamiento y forma parte del sistema de enclavamiento de seguridad.
- G. Acoplamiento del bol**
Conector de motor de acero inoxidable sinterizado con absorción de vibración.
- H. Bol de procesamiento**
Con capacidad de 12 tazas de capacidad para ingredientes secos y 8½ tazas para ingredientes líquidos espesos. Encaje en la base girando en el sentido de las manecillas del reloj.
- I. Botón PULSE (Pulso)**
Presione y suelte para aplicar un pulso momentáneo de potencia.
- J. Botón START | PAUSE (INICIO | PAUSA)**
- K. Botón POWER | OFF (Encendido | Apagado)**
Proporciona energía al procesador y lo deja en el modo READY (Listo).
- L. Base de motor de accionamiento directo**
Motor de inducción para alto rendimiento y resultados confiables.
- M. Base de goma antideslizante**
- N. Espátula de plástico**
Para raspar los lados del bol y ayudar a procesar los ingredientes de manera uniforme.
- O. Sello de silicona**
Disminuye la posibilidad de fugas al procesar grandes volúmenes de ingredientes líquidos.
- P. Cuchilla para masa**
Cuchilla sin filo diseñada para combinar suavemente ingredientes para hacer masa.
- Q. Cuchilla microserrada S-Blade™**
Su acción rápida permite picar, mezclar, combinar y procesar una variedad de ingredientes. El sistema de frenado de seguridad detiene rápidamente las cuchillas S-Blade si la tapa se abre inesperadamente.
- R. Cubierta de la cuchilla S-Blade™**
- S. Rebanadora ajustable de 0.3 mm - 8.0 mm de espesor**
- T. Trituradora reversible fina y gruesa**
- U. Eje**
- V. Almacenamiento del cable**



Montaje

TENGA EN CUENTA LO SIGUIENTE ANTES DEL PRIMER USO

- Antes de utilizar el procesador de alimentos por primera vez, retire cualquier material de empaque o etiquetas promocionales. Asegúrese de que el botón de POWER (Encendido) esté en la posición OFF (Apagado) y que el procesador de alimentos esté desenchufado.
- Tenga cuidado al manipular las cuchillas y los discos, ya que son extremadamente afilados.
- Lave el bol de procesamiento, la tapa de procesamiento y todos los accesorios en agua jabonosa tibia con un paño suave. Enjuague y seque completamente. Los accesorios son aptos para lavar en el lavavajillas.
- Cuando utilice su procesador de alimentos por primera vez, puede notar un olor proveniente del motor. Esto es normal y se disipará con el uso.
- Siempre utilice el procesador de alimentos en una superficie de trabajo seca y nivelada.

MONTAJE

1. Ponga el bol de procesamiento en la base del motor con el asa alineada con el rótulo ALIGN HANDLE (Alinear mango) en la base del motor.



2. Gire el bol en el sentido de las agujas del reloj hasta que la manija se asegure hacia el frente. El bol de procesamiento y la tapa ahora deberían estar bien asegurados en su posición. El procesador de alimentos no funcionará a menos que el bol esté bloqueado correctamente en su posición.



3. El uso del eje es necesario al utilizar TODOS los discos y cuchillas. El no uso del eje provocará daños en las piezas. El uso inapropiado de esta manera también puede causar que las piezas se fusionen.



4. Antes de poner la tapa en el bol de procesamiento, ponga el eje sobre el acoplamiento al centro del bol de procesamiento. Luego coloque la cuchilla o el disco elegido sobre él. Las cuchillas caen más abajo que los discos.



5. Coloque la tapa en el bol de procesamiento para que los rótulos ALIGN | LOCK (ALINEAR | BLOQUEAR) en la tapa y los mangos queden juntos. Para asegurar la tapa, sostenga el tubo para los alimentos y gírelo a favor de las manecillas del reloj para que las partes de los mangos se alineen. Asegurar la tapa correctamente activará el seguro de enclavamiento en el mango y permitirá que el motor funcione.



Funciones

OPERACIÓN

- El procesador de alimentos solo funcionará cuando el bol de procesamiento, la tapa y el empujador grande estén correctamente ensamblados. Esto activa el enclavamiento de seguridad, lo que permite que el motor funcione.
- El botón POWER (Encendido) se ilumina de color rojo cuando la máquina está conectada a la alimentación y está lista para funcionar.
- El botón START (Inicio) permite que el motor funcione continuamente hasta que se presione nuevamente. Si se quita la tapa, el bol o el empujador grande mientras el motor está funcionando, el botón parpadeará. El motor volverá a funcionar cuando el bol, la tapa y el empujador grande estén ensamblados y el enclavamiento de seguridad esté activado. Cuando lo haga, la luz del botón brillará de forma ininterrumpida (ya no parpadeará).
- El botón momentáneo PULSE (Pulso) es ideal para procesar alimentos que necesitan ráfagas repentinas de potencia. También propicia que los ingredientes se muevan alrededor del bol. El botón PULSE (Pulso) también es recomendable cuando se utilizan alimentos que solo necesitan ser procesados por un corto período de tiempo.
- Puede combinar el uso de los botones START (Inicio) y PULSE (Pulso) para controlar el procesamiento de los alimentos.
- El tubo tiene un rótulo en inglés, MAX CHUTE FILL, que indica el volumen máximo de alimentos que se puede colocar en el tubo para permitir que el empujador active el cierre de seguridad.

- Después del procesamiento, espere hasta que las cuchillas o discos hayan dejado de moverse antes de desbloquear la tapa. Para garantizar un manejo seguro, apague el equipo con el botón POWER (Encendido) y desenchúfelo del tomacorriente antes de manipular las cuchillas.
- Al retirar las cuchillas o discos, levante con cuidado tomando la parte de plástico en el centro.

SISTEMA DE PROTECCIÓN CONTRA SOBRECARGA

- El procesador de alimentos tiene un sistema de protección contra sobrecarga para evitar daños al motor. Si se activa, el procesador de alimentos entrará en modo de espera y los botones parpadearán.
- Si esto ocurre, desenchufe el equipo y deje que se enfríe durante 30 minutos. Una vez enfriado, podrá volver a usar el procesador de alimentos como de costumbre.
- Algunas sustancias rígidas, como la masa de pan, pueden hacer que la cuchilla de procesamiento gire más lentamente de lo normal. Si esto sucede, no procese por más de 1 minuto.
- Si las cuchillas o los discos se atascan con los alimentos durante el procesamiento, desconecte el procesador inmediatamente del tomacorriente antes de limpiar los alimentos atascados. Si esto sucede más de una vez, puede que el bol esté sobrecargado. Intente procesar en lotes más pequeños.

CORTAR CON LA CUCHILLA MICROSERRADA S-BLADE™

La cuchilla S-Blade corta alimentos crudos y cocidos a la consistencia requerida, desde tajadas a trozos muy pequeños. Las cuchillas procesan de manera muy eficiente, lo que genera que el tiempo esperado al procesar alimentos grandes sea menor.

Recuerde siempre poner la cuchilla S-Blade en el bol de procesamiento antes de agregar la comida.

Evite el procesamiento excesivo comprobando la consistencia con frecuencia. Para muchas tareas, recomendamos usar el botón PULSE (Pulso), ya que procesar completamente los alimentos para obtener la consistencia deseada puede tomar solamente unos segundos.

Si es necesario, apague el procesador y use una espátula para raspar los lados del bol para fomentar el procesamiento.

Retire la cuchilla S-Blade con cuidado después de procesar los alimentos, y use una espátula para raspar los restos adheridos a la cuchilla y al bol.

Verduras crudas, frutas y carnes cocidas

Pique y corte las verduras y la carne en cubos de 2.5 cm. Procese hasta un máximo de 6 tazas a la vez (usando el botón PULSE (Pulso)) en intervalos de 1-2 segundos hasta que la comida esté procesada a tamaño o consistencia deseados.

Carne cruda, pollo y pescado

Corte el exceso de grasa y pique los alimentos en cubos de 2.5 cm. Asegúrese de eliminar todos los huesos. Deje por un corto tiempo en el congelador hasta que esté firme, ya que esto ayudará a cortar la comida más fácilmente. No procese más de 1 kg de carne cruda a la vez. A esta capacidad, el motor no debe funcionar durante más de 30 segundos a la vez. Puede combinar el uso de los botones START (Inicio) y PULSE (Pulso) hasta alcanzar la consistencia deseada de picado o molido del alimento.

Ajo, chile y jengibre

Pelar los dientes de ajo y procesarlos enteros. Muela los chiles enteros. Puede remover las semillas si quiere regular lo picoso. Pele y corte el jengibre en cubos de 2.5 cm.

Para otras hierbas sólidas como hierba de limón o galanga, pele y córtelas en cubos o pedazos de 1.3 cm a 2.5 cm.

El tamaño debe ser más pequeño para hierbas más duras o más densas.

Procese presionando el botón PULSE (Pulso) en intervalos de 1-2 segundos hasta llegar a la consistencia deseada.

Guarde las hierbas picadas con un poco de aceite vegetal en un recipiente hermético en el refrigerador hasta por 1 semana.

Si agrega ajo, chile o jengibre a otros ingredientes, deje caer trozos enteros por el tubo para alimentos pequeño mientras el motor está funcionando.

Hierbas de hoja

Lave y seque bien las hierbas. Retire cualquier tallo grueso. No procese más de 2 manojos de hierbas a la vez (aproximadamente 4 tazas) al mismo tiempo utilizando el botón PULSE (Pulso) en intervalos de 1-2 segundos hasta que tenga la consistencia deseada.

Use las hierbas de hojas de inmediato para obtener los resultados más aromáticos en sus recetas.

Nueces

No procese más de 4½ tazas de nueces sin cáscara a la vez usando el botón PULSE (Pulso) en intervalos de 1-2 segundos hasta obtener la consistencia deseada.

Fruta deshidratada

Las frutas deshidratadas pueden ser pegajosas y pueden adherirse a las cuchillas durante el procesamiento. Recomendamos poner las frutas deshidratadas en el congelador durante unos 10 minutos antes de procesarlas. No procese más de 2 tazas a la vez utilizando el botón PULSE (Pulso) en intervalos de 1-2 segundos hasta obtener la consistencia deseada.

Si está cortando fruta para agregar a un pastel, procese la fruta antes de hacer la mezcla del pastel. Agregue un poco de harina (de la cantidad de harina en la receta) para evitar que la fruta se pegue a la cuchilla S-Blade.

No recomendamos procesar grandes frutas deshidratadas como dátiles e higos.

Pan rallado suave

Rompa el pan duro en trozos (el pan fresco se adherirá a las cuchillas). No procese más de 4-6 rebanadas a la vez utilizando el botón PULSE (Pulso) en intervalos de 1-2 segundos hasta obtener la consistencia deseada para las migas. Para obtener mejores resultados al hacer migas de pan, agregue de a una rebanada a la vez.

Pan rallado seco

Corte el pan en trozos y tuéstelo en el horno hasta que esté dorado y crujiente. No tueste excesivamente. No procese más de 4-6 rebanadas a la vez utilizando el botón PULSE (Pulso) en intervalos de 1-2 segundos.

Migas de galletas

Parta las galletas en cuartos y pese un máximo de 250 g. Procese presionando el botón PULSE (Pulso) en intervalos de 1-2 segundos hasta llegar a la consistencia deseada. Las migas de galletas dulces o saladas se pueden usar como alternativa a la masa para pasteles dulces o salados.

No procese galletas demasiado duras, ya que esto puede dañar las cuchillas.

HACER PURÉ CON LA CUCHILLA MICROSERADA S-BLADE™

La cuchilla S-Blade sirve para hacer puré de alimentos crudos o cocidos, como la comida para bebés, hasta obtener la consistencia que desee. Las cuchillas procesan los alimentos de manera muy eficiente y reducen el tiempo necesario para realizar muchas tareas.

Recuerde siempre poner la cuchilla S-Blade en el bol de procesamiento antes de agregar la comida.

Retire la cuchilla S-Blade con cuidado después de hacer puré de alimentos y use una espátula para raspar los alimentos adheridos a la cuchilla y al bol.

Comida para bebés

Pique y corte las verduras y la carne en cubos de 2.5 cm. Cocine las verduras y la carne antes de procesarlas. No procese más de 6 tazas a la vez (usando el botón START (Inicio) a intervalos) hasta que la comida se convierta en un puré de textura suave y uniforme. Se puede agregar caldo, leche o salsa a través del tubo para alimentos pequeño si la mezcla se vuelve demasiado espesa.

El exceso de comida para bebés puede congelarse en bandejas de cubitos de hielo y empacarse en bolsas para congelar en porciones individuales listas para usar.

Mantequilla de maní

No procese más de 4½ tazas de maní sin cáscara a la vez usando el botón START (Inicio) hasta procesarlas a la consistencia deseada.

El volumen de maní se reduce después del procesamiento. Por ejemplo, 2 tazas de maní producirán alrededor de 1 taza de mantequilla de maní.

La mantequilla de maní natural (sin estabilizadores) se separa cuando se asienta y es necesario revolverla antes de usarla.

MEZCLAR CON LA CUCHILLA MICROSERADA S-BLADE™

La cuchilla S-Blade mezcla ingredientes para pasteles, rebozados y masas para galletas.

La cuchilla S-Blade también puede emulsionar salsas a base de huevo como la mayonesa.

Recuerde siempre poner la cuchilla S-Blade en el bol de procesamiento antes de agregar la comida.

Retire la cuchilla S-Blade con cuidado después de procesar los alimentos, y use una espátula para raspar los restos adheridos a la cuchilla y al bol.

Bizcocho y masa de galletas

Ponga la mantequilla previamente cortada y ablandada junto al azúcar en el bol de procesamiento. Procese usando el botón START (Inicio) hasta que la mezcla esté ligeramente cremosa. Con el motor en marcha, agregue los huevos uno a la vez a través del pequeño tubo para alimentos, mezclando bien después de agregar cada huevo. Quite la tapa y agregue el resto de los ingredientes líquidos y secos a la mezcla. Procese usando el botón PULSE (Pulso) hasta que esté todo integrado uniformemente. Repase los lados del bol según sea necesario. No procese excesivamente.

Agregue chips de chocolate, nueces, fruta deshidratada, etc. después de que la mezcla principal esté lista. Use el botón PULSE (Pulso) en ráfagas muy cortas hasta que se combinen los nuevos ingredientes. No procese excesivamente, ya que estos ingredientes más grandes se reducen rápidamente.

Tortas y mezclas rápidas

Ponga todos los ingredientes en el bol, comenzando con los líquidos y teniendo cuidado de no exceder el nivel del rótulo MAX LIQUID (Tope de líquido). Procese usando el botón PULSE (Pulso) hasta que esté todo integrado uniformemente. Repase los lados del bol según sea necesario. No procese excesivamente.

Este método también puede ser utilizado para mezclas de pasteles, pasteles envasados y crepes.

Masas dulces

Coloque la harina y la mantequilla fría en cubos en el bol de procesamiento.

No procese más de 2 tazas (300 g) de harina (usando el botón START (Inicio) a intervalos) hasta que la masa absorba la mantequilla.

Agregue líquido constantemente a través del pequeño tubo para alimentos mientras el motor esté en funcionamiento. Procese hasta que la mezcla forme una bola.

AMASAR CON LA CUCHILLA PARA MASA

Recuerde siempre poner el eje y la cuchilla para masa en el bol de procesamiento antes de agregar la comida.

Los bordes de la cuchilla para masa plástica generan una suave acción que permite combinar los ingredientes de la masa. La cuchilla para masa propicia que los filamentos de gluten se estiren en lugar de cortarse, y deben usarse para todas las masas que contengan levadura, además de cualquier otra masa que requiera ser amasada.

Masa de pan o de pizza

Ponga la harina y los ingredientes secos en el bol de procesamiento, incluida la levadura instantánea.

No procese más de 5 tazas (700 g) de harina, usando el botón START (Inicio) a intervalos.

Agregue líquido (incluido el aceite) constantemente a través del pequeño tubo para alimentos mientras el motor esté en funcionamiento. Procese hasta que la mezcla forme una bola suave y elástica de masa. Normalmente, esto tardará entre 45 y 60 segundos. No procese excesivamente.

Transfiera la masa a una superficie ligeramente enharinada y amase durante 5 minutos más si es necesario, hasta que esté suave y flexible.

Si procesa más de dos recetas de ingredientes de masa (máximo 700 g de harina), deje que la base del motor se enfríe durante un período prolongado antes de amasar para evitar que el motor se sobrecargue.

Coloque la masa en un bol grande y engrasado y cubra. Deje que la masa doble su tamaño en un lugar cálido. Voltee la masa sobre una superficie ligeramente enharinada y amase nuevamente hasta que quede suave y elástica. Dele forma a la masa y luego deje que suba en un área tibia antes de hornearla en un horno caliente.

REBANAR, TRITURAR Y RALLAR

Importante: El eje debe utilizarse tanto con la rebanadora ajustable como con la trituradora/ralladora reversible.

Retire la cuchilla S-Blade con cuidado después de procesar los alimentos, y use una espátula para raspar los restos adheridos a la cuchilla y al bol.

Rebanadora ajustable

La rebanadora ajustable cortará los alimentos a un grosor uniforme y consistente. Se puede ajustar a 24 configuraciones, desde muy fino (0.3 mm) hasta grueso (8.0 mm). Para ajustar el grosor de corte, sostenga el disco ajustable de rebanado por el borde exterior con una mano, y gire el dial de ajuste en la parte inferior con la otra mano. Un símbolo de flecha indica el grosor del corte que obtendrá.

Rallador y triturador reversible

Este disco tiene una variedad de cuchillas pequeñas en ambos lados del disco. Alinee el disco de manera que los agujeros más grandes estén hacia arriba para obtener resultados texturizados más gruesos, o con los agujeros más pequeños hacia arriba para obtener resultados más finos. Los discos están marcados mostrando qué lado está hacia arriba.

CONTROL DE LOS INGREDIENTES

Es importante colocar la comida en el tubo para alimentos para obtener el máximo control y los mejores resultados.

Ingredientes más pequeños

Para alimentos largos y delgados como zanahorias, pepinos, calabazas italianas, etc., use el tubo para alimentos pequeño. Esto evitará que los alimentos se caigan durante el rebanado.

Ingredientes más grandes

El tubo para alimentos ancho mide 13 cm y puede adaptarse a ingredientes de hasta este tamaño. El tubo para alimentos se puede llenar en todo su ancho. La comida debe encajar cómodamente para que quede en posición vertical en el tubo para alimentos. Procure que no quede tan apretada dentro del tubo como para evitar que pueda moverse por él.

Tubo para alimentos mediano

Use el tubo para alimentos mediano para el procesamiento de alimentos de tamaño 'intermedio'. El tubo para alimentos mediano mide 7 cm y puede adaptarse a ingredientes de hasta ese tamaño. El tubo para alimentos se puede llenar en todo su ancho. La comida debe encajar cómodamente para que quede en posición vertical en el tubo para alimentos. Procure que no quede tan apretada dentro del tubo como para evitar que pueda moverse por él.

Tenga cuidado de no sobrellenar el tubo para alimentos, ya que el empujador no activará el seguro de bloqueo si el tubo está demasiado lleno. No sobrepase el símbolo MAX CHUTE FILL.

Asegúrese de que el empujador grande esté en su lugar antes de usar el empujador mediano.

Presión

Al usar el procesador, nunca fuerce la comida por el tubo de alimentos, ya que esto puede dañar los discos.

Aplice una ligera presión para alimentos blandos como tomates y plátanos.

Aplice presión media para alimentos más firmes como papas y manzanas.

Aplice presión firme para alimentos duros como el queso parmesano y embutidos como el salami.

Frutas y verduras redondas

Prepare frutas o verduras lavando y pelándolas (si es necesario).

Las frutas y verduras pequeñas deben cortarse en un extremo para que la comida quede plana dentro del tubo para alimentos.

Es posible que las frutas y verduras grandes deban ser cortadas la mitad para que quepan en el tubo para alimentos. Comience agregando los alimentos de izquierda a derecha en el tubo para alimentos.

Frutas y verduras largas

Prepare frutas o verduras lavando y pelándolas (si es necesario).

Los alimentos se pueden cortar transversalmente para crear resultados circulares. Use el tubo para alimentos pequeño o mediano, o disponga los ingredientes de forma vertical en el tubo para alimentos grande.

Los alimentos se pueden cortar transversalmente para crear resultados en forma de cintas. Use el tubo para alimentos grande y pique los ingredientes si es necesario para generar que queden planos dentro de él una vez que el disco comience a girar. Llene el tubo para alimentos grande de forma horizontal.

Verduras con hojas

Corte el repollo en trozos para que se ajuste al tubo para alimentos. Para la lechuga, separe las hojas, luego enróllelas y empáquelas de forma vertical en el tubo para alimentos.

Queso

Se debe tener precaución al procesar queso en un procesador de alimentos. Procure congelar los quesos blandos como la mozzarella parcialmente hasta que estén firmes. Esto ayudará a evitar atascos en el disco.

Los quesos redondos como la mozzarella deben cortarse en uno de sus extremos para propiciar que se asienten en plano dentro del tubo para alimentos una vez que el disco comience a girar.

Los quesos duros como el parmesano deben revisarse primero para asegurarse de que no sean demasiado duros y así evitar daños en los bordes de la cuchilla. El queso debe poder cortarse fácilmente con un cuchillo afilado y se le debe quitar la corteza antes de procesarlo.

Los quesos con forma de cuña, como el parmesano, se pueden meter uno al lado del otro dentro del tubo para alimentos para formar un rectángulo dentro del tubo.

Fiambres

Corte en trozos que se ajusten a la altura del tubo para alimentos. La longitud no debe sobrepasar el símbolo MAX CHUTE FILL. Disponga con el lado cortado hacia abajo. En el caso de los embutidos curados (como el salami o el pepperoni), córtelos en un extremo y procéselos de a uno a la vez a través del tubo para alimentos pequeño o mediano, según el tamaño.

Chocolate rallado

Pique un bloque de chocolate en trozos más pequeños y enfríe hasta que esté firme. Disponga dentro del tubo para alimentos y luego ralle usando el lado grueso o fino del disco reversible (no use la cuchilla S-Blade o la rebanadora ajustable).



Guía de procesamiento de alimentos

Consulte las técnicas básicas de procesamiento para obtener más información sobre la preparación de alimentos y cómo procesarlos. Para recetas específicas, consulte la sección de recetas.

COMIDA	TIPO DE CUCHILLA	GROSOR DEL DISCO REBANADOR AJUSTABLE	TIPO DE DISCO RECOMENDADO
Aguacate	Cuchilla S-Blade Uso: Guacamole	2-5	
Betabeles (cocidos)		2-5	Trituradora Uso: Ensalada
Calabaza butternut	Cuchilla S-Blade Uso: Sopa de calabaza butternut		
Repollo/ Lechuga		Fino 1-2 y medio 2-3 Uso: Acompañamiento	Trituradora Uso: Ensalada
Zanahoria	Cuchilla S-Blade Uso: Sopa de verduras	0-5	Trituradora Uso: Ensalada
Coliflor (cocida)	Cuchilla S-Blade Uso: Sopa de coliflor		
Apio	Cuchilla S-Blade Uso: Sopa de verduras	Fino 1-2 y medio 2-3 Uso: Ensalada	
Berenjena	Cuchilla S-Blade Uso: Acompañamiento, salsa	2-5 Uso: Berenjena grillada	
Hierbas	Cuchilla S-Blade Uso: Condimentos o pesto		
Puerros	Cuchilla S-Blade Uso: Sopas, salsas	2-5 Uso: Sopa de verduras	
Cebolla	Cuchilla S-Blade Uso: Sopas, salsas	0-5 Uso: Ensalada	
Papas		3-6 Uso: Papas gratinadas	Trituradora Uso: papas ralladas
Papas (cocidas)	Cuchilla S-Blade Uso: Puré de papas, ñoquis		
Tomates	Cuchilla S-Blade Uso: Salsa	2-5 Uso: relleno de sándwiches, ensalada caprese, salsa de tomate	
Manzana/ Pera	Cuchilla S-Blade Uso: Salsa de manzana	2-5 Uso: Tarta de manzana	

COMIDA	TIPO DE CUCHILLA	GROSOR DEL DISCO REBANADOR AJUSTABLE	TIPO DE DISCO RECOMENDADO
Manzana/ Pera (cocidas)	Cuchilla S-Blade Uso: Comida para bebés	4-6 Uso: Ensalada de frutas	
Fruta deshidratada	Cuchilla S-Blade Uso: Ensalada de frutas, salsas para postres		
Mezclas	Cuchilla S-Blade Uso: Tortas, panqueques y masa para waffles		
Pan rallado	Cuchilla S-Blade Uso: Recubrimientos, rellenos de pan rallado		
Queso		2-5 Uso: Guarniciones, rellenos para sándwiches	Trituradora - grueso o fino Uso: Queso rallado para pizza
Chocolate	Cuchilla S-Blade Uso: Ganache de chocolate, galletas con chispas de chocolate		Trituradora - grueso o fino Uso: Decoración de postres
Masas (pasteles)	Cuchilla S-Blade Uso: Tartas, pies		
Masas (pan, pizza)	Cuchilla para masa Uso: Pan, pizza		
Huevos (enteros o yemas)	Cuchilla S-Blade Uso: Mayonesa, salsa holandesa		
Carne (cruda)	Cuchilla S-Blade Uso: Pastel de carne, hamburguesas, albóndigas		
Carne (cocida)	Cuchilla S-Blade Uso: Rellenos para sándwich, paté, comida para bebés		
Carne (charcutería)		1-6 Uso: Sándwiches, antipasto, ingredientes para pizza	



Cuidado y limpieza

Quite el cable de alimentación del tomacorriente después de usarlo por razones de seguridad.

Bol de procesamiento y tapa

Debido a los componentes del bloqueo de seguridad, no recomendamos sumergir el recipiente en agua durante largos períodos.

Para mantener limpios el bol y la tapa, y evitar que se sequen los alimentos, siga estos pasos lo antes posible después de su uso:

- Enjuague la mayoría de los ingredientes del bol y la tapa.
- Lave a mano con agua tibia y jabón usando un detergente líquido suave y una esponja no abrasiva.

Cuchillas y discos

Las cuchillas y los discos son muy afilados, no los toque. Utilice siempre una espátula o un cepillo para retirar los alimentos o para limpiar las cuchillas.

Base del motor

Limpie la base del motor aplicando un paño suave y húmedo y luego seque completamente. Limpie cualquier resto de comida del cable de alimentación.

Elementos de limpieza

No use esponjas abrasivas ni limpiadores para limpiar la base del motor o la jarra, ya que pueden rayar la superficie. Use solo agua jabonosa tibia con un paño suave.

Lavavajillas

El bol de procesamiento y la tapa se pueden lavar ocasionalmente en el lavavajillas (solo en la rejilla superior), sin embargo, no se recomienda hacerlo regularmente, ya que la exposición prolongada a detergentes fuertes, agua caliente y presión, dañará y acortará la vida útil del plástico y de los componentes del enclavamiento de seguridad.

Manchas y olores de comida difíciles de remover

Los alimentos de olor fuerte como el ajo o el pescado, o algunas verduras como las zanahorias, pueden dejar olores o manchar el bol o la tapa.

Para removerlos, vierta agua jabonosa tibia y llene hasta la marca MAX LIQUID (Tope de líquido). Déjelo remojar durante 5 minutos, pero sin sumergir todo el bol. Luego lave con un detergente suave y agua tibia y enjuague y seque bien. Guarde el bol con la tapa abierta.

Almacenamiento

Introduzca el empujador de alimentos grande (con los empujadores medianos y pequeños insertados) en el tubo para alimentos para almacenarlos.

Guarde su procesador de alimentos en posición vertical y con el bol y la tapa en posición, pero sin asegurarlos. Asegurar el bol y la tapa puede ejercer una tensión innecesaria en el enclavamiento de seguridad.

Todos los accesorios deben mantenerse en un lugar seguro fuera del alcance de los niños para evitar cortes accidentales. Recomendamos no almacenar los discos en un cajón con otros utensilios.

Recomendamos almacenar las cuchillas S-Blade dentro del bol, con la rebanadora variable en la parte superior. Estas cuchillas son extremadamente afiladas. El bol puede evitar el contacto gracias a su forma.

No ponga nada encima del procesador de alimentos cuando esté guardado.



Solucionar problemas

PROBLEMA	SOLUCIÓN SENCILLA
La comida se procesa de manera desigual	<ul style="list-style-type: none">• Los ingredientes deben cortarse de manera uniforme en trozos de 2.5 cm antes del procesamiento.• Los ingredientes deben procesarse en tandas para evitar sobrecargar el equipo.
Las rodajas son oblicuas o desiguales	<ul style="list-style-type: none">• Ponga los alimentos cortados de manera uniforme en el tubo para alimentos.• Aplique presión uniforme sobre el empujador.
La comida se cae por el tubo para alimentos	<ul style="list-style-type: none">• El tubo para alimentos grande debe estar lleno para obtener mejores resultados. Si procesa cantidades más pequeñas, ponga los artículos en el extremo izquierdo del tubo para alimentos o use el tubo para alimentos pequeño o mediano, según el tamaño de los alimentos.
Queda algo de comida en la parte superior del disco después del procesamiento	<ul style="list-style-type: none">• Es normal que queden piezas pequeñas después del procesamiento.
El motor se ralentiza al amasar	<ul style="list-style-type: none">• La cantidad de masa puede haber excedido la capacidad máxima. Retire la mitad y procese en dos tandas.• La masa puede estar demasiado húmeda (ver más abajo). Si el motor se acelera, continúe procesando. De lo contrario, agregue más harina de 1 cucharada a la vez hasta que lo haga. Procese hasta que la masa se desprege del lado del bol de procesamiento.
La masa no se despega del interior del bol de procesamiento	<ul style="list-style-type: none">• La cantidad de masa puede exceder la capacidad máxima del procesador de alimentos. Retire la mitad y procese en dos tandas.• La masa puede estar demasiado seca (ver más abajo).
La masa se siente dura después de amasar	<ul style="list-style-type: none">• Divida la masa en 2 o 3 partes y redistribúyalas uniformemente en el bol de procesamiento. Procese 10 segundos o hasta que esté completamente suave y flexible.
La masa está muy seca	<ul style="list-style-type: none">• Mientras la máquina está funcionando, agregue agua a través del tubo para alimentos pequeño de 1 cucharada a la vez hasta que la masa se desprege del interior del bol de procesamiento.
La masa está muy húmeda	<ul style="list-style-type: none">• Mientras la máquina está funcionando, agregue harina a través del tubo para alimentos pequeño de 1 cucharada a la vez hasta que la masa se desprege del interior del bol de procesamiento.
La masa se vuelve pegajosa y se adhiere a la cuchilla para masa, y la máquina vibra	<ul style="list-style-type: none">• Disminuya el tiempo de procesamiento. Detenga la máquina justo después de que se formen bolas de masa. Esto tardará entre 45 y 60 segundos.

PROBLEMA

SOLUCIÓN SENCILLA

El motor no arranca

- Hay un enclavamiento de seguridad para evitar que el motor arranque si no está armado correctamente. Cerciórese de que el bol de procesamiento y la tapa estén bien asegurados en su posición.
 - Si está cortando en rodajas o desmenuzando y la solución anterior no funciona, asegúrese de que el contenido de alimentos en el tubo para alimentos esté cortado debajo de la línea de llenado máximo para que la varilla de activación pueda activar el motor.
 - Asegúrese de que el empujador de alimentos grande esté insertado en el tubo para alimentos a una profundidad suficiente como para activar el enclavamiento de seguridad.
 - Si el motor aún no arranca, verifique el cable de alimentación y el tomacorriente.
-

El procesador de alimentos se apaga durante el funcionamiento

- La tapa puede haberse soltado; verifique que esté fija en su posición.
 - Si el motor se sobrecarga, todos los botones parpadearán al mismo tiempo. Desenchufe el equipo y deje que se enfríe de 20 a 30 minutos antes de continuar.
-

El motor se desaceleró durante el funcionamiento

- Esto es normal ya que algunas cargas de trabajo más pesadas (como rebanar o rallar queso, por ejemplo) pueden exigir más al motor. Vuelva a poner la comida en el tubo para alimentos y continúe procesando.
 - Es posible que haya excedido la capacidad de carga máxima. Retire algunos de los ingredientes y continúe procesando.
-

El procesador de alimentos vibra o se mueve durante el procesamiento

- Asegúrese de que las patas de goma en la parte inferior de la unidad estén limpias y secas. También asegúrese de no exceder la capacidad de carga máxima.
 - Esto es normal ya que algunas cargas de trabajo más pesadas pueden exigir más al motor.
-

Breville Consumer Support

USA	Mail:	Breville USA 19400 S. Western Ave, Torrance CA 90501-1119
	Phone:	1-866-273-8455 1-866-BREVILLE
	Web:	breville.com/us/support
Canada	Mail:	Breville Canada 9800 Boulevard Cavendish, Suite 250, Saint-Laurent Québec, H4M 2V9
	Phone:	1-855-683-3535
	Web:	breville.ca/support

Atención al Consumidor Breville

Mexico	Dir.:	Breville México, S.A. de C.V. Blvd. Miguel de Cervantes Saavedra #169 Piso 10, Oficina 119, Col. Granada, C.P. 11520, Alc. Miguel Hidalgo, Ciudad de México, México
	Tel.:	1-800-953-1668
	Sitio web:	breville.mx/support

Breville®

Master Every Moment™

Breville is a registered trademark of Breville Pty. Ltd. A.B.N. 98 000 092 928.
Copyright Breville Pty. Ltd. 2021.

- Due to continued product improvement, the products illustrated/photographed in this brochure may vary slightly from the actual product.
- En raison de son amélioration continue, le produit représenté sur cet emballage peut différer légèrement du produit réel.
- Perfeccionamos nuestros productos continuamente, por lo que el artículo podría diferir ligeramente de la ilustración o imagen en este documento.

BFP660 Series • Séries • Serie

USCM – M21